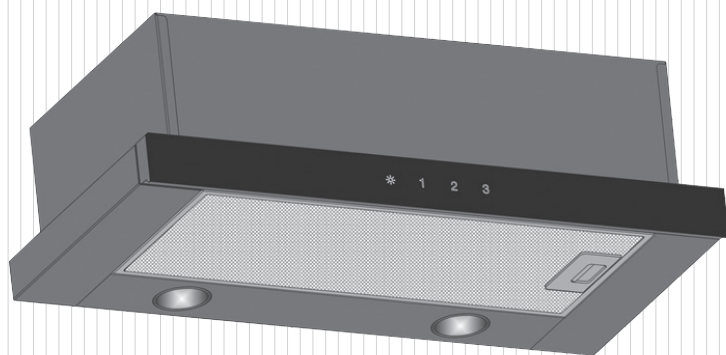


**TECHNICAL PASSPORT**

**ПАСПОРТ ТЕХНИЧЕСКОГО ИЗДЕЛИЯ**



**SLIMLUX S**

**COOKER HOOD**

**КУХОННАЯ ВЫТЯЖКА**

**KUPPERSBERG**

## Cooker hood

**Dear customer!**

Thank you for choosing the products of the **brand «KUPPERSBERG»**. We put our best efforts so you were satisfied with your choice.

**1. GENERAL INFORMATION**

**1.1.** Prior to installing the extractor hood carefully read our recommendations, following which will provide safe work of the appliance. Save this User's manual, as it contains answers to the questions which may arise later.

**ATTENTION!**

BEFORE STARTING THE OPERATION (SWITCHING ON) THE APPLIANCE MUST BE HELD AT THE ROOM TEMPERATURE FOR AT LEAST TWO HOURS.

**1.2.** This appliance is intended for extraction of polluted air from the space above the cooking appliance, and intended for domestic use and the household environment only and meets the requirements of State EN 60335-2-2:2010/A11:2012.

**ATTENTION!**

USE OF THE APPLIANCE IN GOALS OTHER THAN DOMESTIC IS FORBIDDEN. THE RISK OF INJURY AND PROPERTY DAMAGE INCREASES IN CASE OF USE OF THE EXTRACTOR HOOD WITH PURPOSES OTHER THAN INTENDED, WHAT WILL LEAD TO WARRANTY CANCELLATION/

**1.3.** Use of the extractor hood decreases the content of harmful products of incomplete combustion of natural gas, as well as odors produced

during cooking in the air, and prevents pollution of walls, ceiling, and furniture with grease and soot.

**1.4.** The appliance is an air purifying device of the exhaust type with a diameter fan (turbine), completed with a grease picking aluminum filter (included) and has the option of upgrading with a carbon odor filter. It is manufactured from sheets of carbon steel with a decorative protective coating of powder paints – 600/900 mm in width.

**1.5.** Depending on the installation scheme over the cooker, the extractor hood can work in two variants:

- in the mode of air extraction into the stationary ventilation shaft (chimney) of the kitchen using corrugated aluminum or plastic air-ducts Ø150mm or Ø120mm (see item 5.3);

- in the recirculation mode (closed circular air circulation in the kitchen), when the extractor hood is not connected to chimney, and the air is passed through aluminum grease filter (included) and smothering carbon filter and is returned to the kitchen (see paragraph 5.3).

**1.6.****ATTENTION!**

Do not start extractor hood installation before connecting it to electricity network and checking its technical serviceability, and checking all of its functions.

**1.7.** We recommend that all installation works, connection, and repair of your extractor hood should

be carried only by qualified specialists professionally engaged in the execution of such works.

**1.8.** The manufacturer does not bear responsibility for any damages and failures, caused by incorrect installation, operation, and repair of the extractor hood.

**1.9.** The manufacturer reserves the right to modify the product in order to improve its quality and technical specifications.

**1.10.** Technical specifications for the extractor hood are indicated in this manual and on the label attached to the inner surface of the body (access to it opens when the filter is removed).

### ATTENTION!

The extractor hood should be installed on the wall at the distance of 650-750mm above the electric cooker and at the distance 750-850 mm above the gas cooker.

## 2. MAIN TECHNICAL SPECIFICATIONS

MODEL OF KITCHEN EXTRACTOR HOOD		SLIMLUX S
Network voltage, V		220-230
AC frequency, Hz		50
Control type		Sensor
Number of operation modes		3
Rated power consumption, W	Of the motor	150
	Lighting (LED)	2x3
	General	156
Productivity while connecting to standard ventilation system m <sup>3</sup> /hour		480 / 650
Overall dimensions of the extractor hood, mm	Width	600 / 900
	Depth	300
	Height (min-max)	178
Connection size of ventilation duct, mm		Ø150 / Ø120
Weight (net), kg		5,9 (600mm) / 7,9 (900mm)
Noise level, dB		61,8 (600mm) / 61,8 (900mm)
Protection class		I
Operation mode		S1 (long-lasting)
Electro cable type		Armoured and grounded

### 3. PARTS SUPPLIED

ITEM	QUANTITY
Kitchen extractor hood	1 pcs.
Plastic pipe adapter (from Ø150 to Ø120mm)	1 pcs.
Metric screw M5x35	4 pcs.
Aluminum grease filter (5-layer)	2 pcs. (600 mm) 4 pcs. (900 mm)
User's manual	1 pcs.

### 4. SAFETY REQUIREMENTS

**4.1** При монтаже, эксплуатации и проведении технического обслуживания категорически запрещается:

- включать вытяжку в электросеть с напряжением и частотой, которые не соответствуют указанным

#### ATTENTION!

IT IS FORBIDDEN TO CONNECT THE EXTRACTOR HOOD

TO THE NETWORK OF THE ELECTRIC COOKER. PROTECT ELECTRIC CORD FROM MECHANICAL AND THERMAL DAMAGE.

**4.1.** While installing, the operation of conducting technical services, it is strictly forbidden to:

- connect the extractor hood to the electricity network with a voltage and frequency that does not correspond to those specified in paragraph 2;

- use lighting lamps with a power output of more than 3 Watts (LED);

- carry out maintenance, replace lamps, remove filters, clean the extractor hood without removing the plug from the mains socket;

- operate the extractor hood with an open fire source, open gas burners

or heating elements; Heating elements should be always covered with dishes;

- prepare food with use of alcohol;
- leave the fryer unattended;
- operate the extractor hood with removed filters;

- connect the extractor hood to the electric network of the cooker, cut the socket of the electric cord while installing.

#### ATTENTION!

IT IS FORBIDDEN TO USE GAS (ELECTRIC) COOKER IF THE EXTRACTOR HOOD IS TURNED OFF.

**4.2.** In order to avoid damage by electric current, the extractor hood must be plugged into a grounded outlet.

**4.3.** The extractor hood connected to the separate ventilation shaft. It is forbidden to connect other appliances to the same ventilation shaft.

**4.4.** Using the extractor hood together with other heating appliances (gas, oil, ovens, etc.), besides electric, it is necessary to provide the premises, in which the extractor hood is installed

with the additional flow of the fresh air (for example to open the window).

**4.5.** For air extraction to the chimney use air duct  $\varnothing 150 / 120\text{mm}$ . A smaller diameter will create additional air resistance, which will increase noise and vibration, as well as motor overheating.

**4.6.** Provide timely cleaning of non-disposable aluminum removal filters, otherwise, the efficiency of the extraction will decrease and there will be a fire hazard due to the accumulation of grease and dust in the filter.

**4.7.** It is forbidden to turn on the extractor hood in case of ignition with the purpose of reduction of smoke until complete localization of fire.

**4.8.** In case of ignition under the extractor hood, cover the fire with a thick cloth, disconnect the extractor from the electric network, do not use water to extinguish a fire in the places where the electrical appliances are located.

**4.9.** Protect the cord for connection to the electric network from the mechanic and thermal damages.

## 5. EXTRACTOR HOOD DESCRIPTION

**5.1** Ventilation kitchen cooker hood «SLIMLUX S» is an air-purifying device of exhaust type with a fan (turbine) and is equipped with aluminium grease filter. The product is manufactured in a single-motor performance with a width of 600/900 mm from carbon steel sheet, followed by decorative-protective coating with powder paints.

**5.2** The cooker hood refers to the type of “built-in pull-out” hoods and

is built into the furniture sets of the kitchen above the stove.

**5.3** Depending on the installation scheme over the cooker, the extractor hood can work in two variants (see item 1.5):

- in the mode of air extraction into the chimney of the kitchen (Fig. 1).

- in the recirculation mode (Fig. 2) (closed circular air circulation in the kitchen).

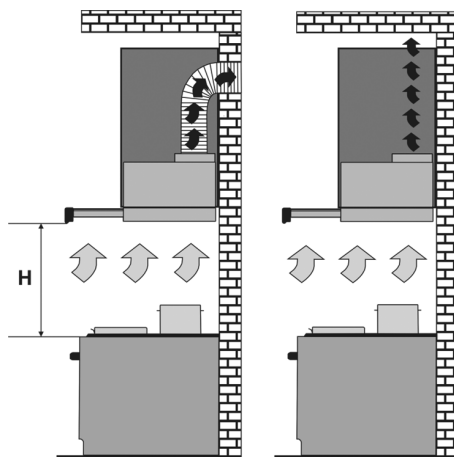


Fig. 1

Fig. 2

### Distance H:

To electric cooker 65-75cm

To gas cooker 75-85cm

**“It is necessary to consider, that when the extractor hood is on, the pressure is automatically lowered in the enclosed room, and should be balanced with an inflow of fresh air. This may be achieved by opening doors and windows or with use of equipment for special inflow ventilation”.**

## Cooker hood

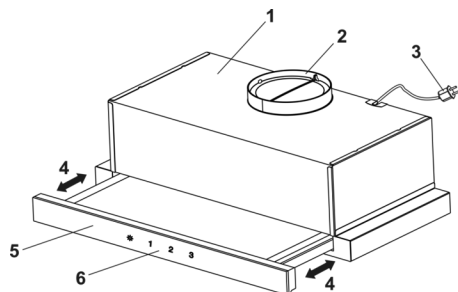


Fig. 3

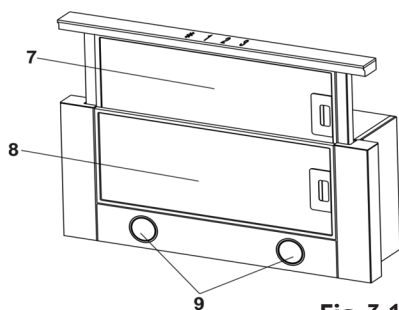


Fig. 3.1

**5.4** The cooker hood consists of the following parts (Fig. 3 / 3.1):

- 1 – body of a cooker hood
- 2 – reducing pipe adapter of bubbler (from Ø150 to Ø120)
- 3 – electric cord with ground (protection class - I)
- 4 – pull-out panel with a filter
- 5 – decorative glass
- 6 – switch of operating modes of the cooker hood (sensory)
- 7 – aluminium grease filter 1 (2 pcs. - 600 mm, 4 pcs. - 900 mm)
- 8 – aluminium grease filter 2 (2 pcs. - 600 mm, 4 pcs. - 900 mm)
- 9 – lighting lamps (LED).

**6. EXTRACTOR HOOD****INSTALLATION INSTRUCTIONS**

**6.1** This model of the cooker hood is installed (mounted) on the bottom of the kitchen closet.

**6.2** Remove a cooker hood from the packing box.

**6.3** Check the work of the cooker hood, connect to the electric mains and check all its functions.

We remind that the height of installation of a cooker hood over the electric cookers should be at least 650mm, and above the gas one – not less than 750mm (Fig. 1).

**6.4** For mounting, an opening for air outlet and exhaust pipe connection must be installed and equipped.

**6.5** To install the cooker hood in the kitchen closet, make 4 holes of 6-7 mm in diameter in the lower shelf of the closet according to fig. 4. Fasten the cooker hood with 4 screws M5x3 (Fig. 4.1).

**6.6** Connect the bubbler to the turbine outlet (with pipe adapter of bubbler Ø150x120mm). Remove the other end of the bubbler into the ventilation shaft (Fig. 4 / 4.1).

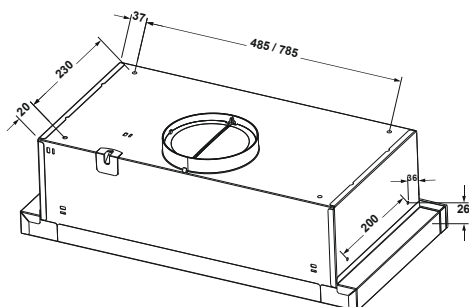
**6.7** If the cooker hood is to operate in air exhaust mode, mount the bubbler of the selected diameter in accordance with the instructions, ensuring that it is tight.

**6.8** If the cooker hood will work in the recirculation mode, then the bubbler is not required. It is to be installed

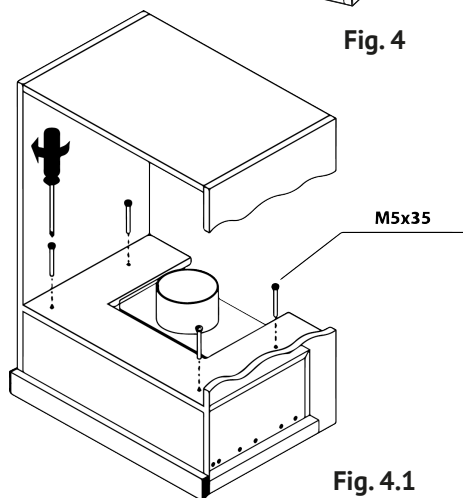
a carbon smoke filter (is purchased separately).

**6.9** Check the reliability of the cooker hood mounting, feed and connect the cord to the mains through socket.

**In order to provide additional protection against voltage fluctuations in the network, it is recommended to connect the extractor hood via an additional automatic circuit breaker 6A.**



**Fig. 4**



**Fig. 4.1**

## 7. INSTRUCTIONS FOR USE OF THE COOKER HOOD

**7.1** The cooker hood with a touch switch has 3 speeds of ventilation. Depending on the amount of evaporation during cooking, you can choose a low, medium or high of ventilation level.

**7.2** Before cooking, turn on the hood in the required operating mode. It is recommended to continue work of the cooker hood for 3-5 minutes after cooking, thus the air in the kitchen will be cleared from the residue of the vapours.

**7.3** On the decorative glass of your cooker hood there is a touch switch for operating modes of the engine and lighting lamps (Fig. 5):



**Fig. 5**

- ☀ – on/off lighting
- 1 speed (low speed) – press the switch to position “1”
- 2 speed (average speed) – press the switch to position “2”
- 3 speeds (high speed) – press the switch to position “3”

The touch switch with the symbol of the light bulb, intended to turn on the lamp at insufficient illumination of the working area of the cooker, is located on the left side of body of the cooker hood.

**Cooker hood****Switch on a cooker hood:**

- press on any of the speed control knobs (1, 2, 3) and pull out the pull-out panel;
- turn on lighting if necessary (button with bulb symbol), lighting works as with a closed and open pull-out panel.

**Switch off a cooker hood:**

- press the speed control knob (1, 2, 3) on the sensor, depending on the speed at which the cooker hood (1-1, 2-2, 3-3) works or slide the pull-out panel.

The switching the hood on and off with the touch switch is double-pressing, that is, pressing the speed 1 – the cooker hood is switched on, press speed 1 again – the cooker hood is turned off. The panel is pulled out – a cooker hood is turned on, pushed in the initial position – a cooker hood is switched off.

**Launch timer:**

To start the timer, press one of the touch buttons (1, 2, 3) and hold it for 5 seconds.

The timer will automatically switch off the cooker hood in 5 minutes.

**8. INSTRUCTIONS TO CARE THE COOKER HOOD****ATTENTION!**

BEFORE CLEANING THE COOKER HOOD, DISCONNECT IT FROM THE ELECTRIC MAINS.

**8.1** For external cleaning of stainless steel cooker hoods, use special means in accordance with the relevant instructions.

**8.2** Never use abrasive detergents and means that contain soda, acid, chlorides or solvents, coarse sponges to clean the cooker hoods.

**8.3** By washing avoid moisture entering the current-carrying parts of the cooker hood, and especially into the electronic control unit; after washing, wipe the surface with a soft cloth.

**8.4** For cleaning glass surfaces, conventional glass cleaning means are suitable.

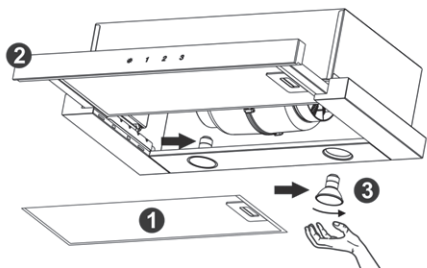
**8.5** The aluminum filter, holding oil and dust from the air, is clogged and should be washed after being soaked in hot water with an effective detergent once every 1.5 to 2 months. Changing the color of the filter after washing does not affect the quality of its work.

**8.6** To remove the aluminium filter (Fig. 6), press the spring lock of the aluminium filter 1 and remove it. Extract the pull-out panel with filter 2 and remove the aluminium filter 3. The filter installation is performed in reverse order. Do not install the filter after washing until it is completely dry.

**8.7** To replace the lamp, it is necessary to remove aluminium filter 1, pull out the panel with the filter 2, pull the holder of the bulb socket, so that the lamp 3 came out of the body of cooker hood, holding the bulb socket, lightly press the lamp in the direction of the bulb socket and, turning it counterclockwise, take out

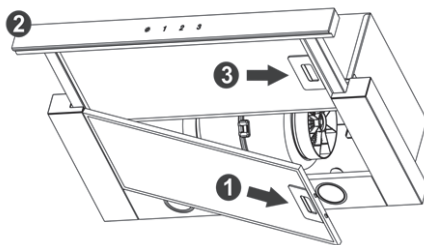


from the body of the cooker hood (Fig. 7). Instead, it is necessary to install a new one with the same characteristics and install an aluminium filter 1.



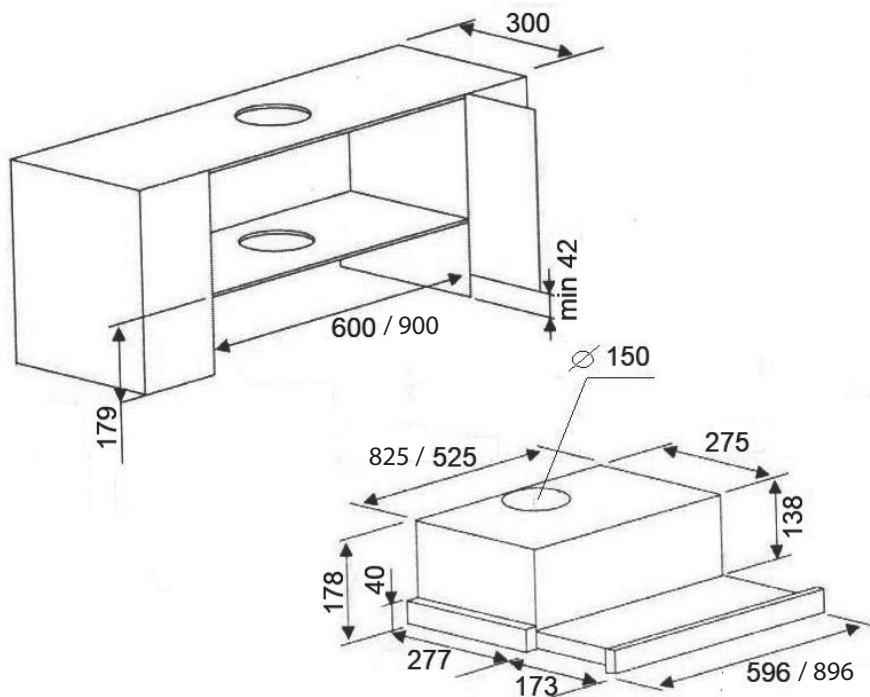
**Fig. 6**

Replacement of the lighting lamp.



**Fig. 7**

Aluminum filter removing.



**Cooker hood****Manufacturers:**

MADE IN EUROPE

«MODULE ETP»

LIMITED LIABILITY COMPANY

46 Podilska St., Ternopil, 46400, Ternopil Region, Ukraine

**Importers:**

LLC «MG Rusland», 141400

Moscow region, Khimki, Butakovo, 4

NOTES / ДЛЯ ЗАМЕТОК

---

---

---

---

---

---

---

---

---

---

---

---

---

---

---

---

---

---

---

---

---

---

---

**Кухонные вытяжки****Уважаемый клиент!**

Благодарим Вас за выбор продукции марки «KUPPERSBERG». Мы прилагаем все усилия, чтобы вы остались довольны своим выбором.

**1. ОБЩИЕ УКАЗАНИЯ**

**1.1** Перед установкой вытяжки и её эксплуатацией необходимо внимательно ознакомиться с нашими рекомендациями, выполнение которых обеспечит надежную работу устройства. Не выбрасывайте данную инструкцию, поскольку впоследствии она может дать ответы на вопросы, которые возникнут.

**ВНИМАНИЕ!**

**ПЕРЕД НАЧАЛОМ ЭКСПЛУАТАЦИИ (ВКЛЮЧЕНИЕМ), ПРИБОР ДОЛЖЕН НАХОДИТЬСЯ ПРИ КОМНАТНОЙ ТЕМПЕРАТУРЕ НЕ МЕНЕЕ ДВУХ ЧАСОВ.**

**1.2** Вытяжка предназначена для отвода загрязненного воздуха из пространства над прибором для приготовления пищи, используется исключительно в домашнем хозяйстве и соответствует EN 60335-2-2:2010/A11:2012.

**ВНИМАНИЕ!**

**ПРИМЕНЕНИЕ ИЗДЕЛИЯ В ЦЕЛЯХ, КОТОРЫЕ НЕ СООТВЕТСТВУЮТ БЫТУ, НЕДОПУСТИМО! ПРИ ИСПОЛЬЗОВАНИИ ВЫТЯЖКИ ДЛЯ ДРУГИХ ЦЕЛЕЙ ВОЗНИКАЕТ РИСК ПОЛУЧЕНИЯ ТРАВМ И ПОВРЕЖДЕНИЯ ИМУЩЕСТВА, А НА ИЗДЕЛИЯ НЕ БУДЕТ РОСПРОСТРАНЕНА ГАРАНТИЯ!**

**1.3** Использование вытяжки уменьшает содержание в воздухе вредных продуктов неполного сгорания природного газа, частично уменьшает непри-

ятные запахи, которые образуются при приготовлении пищи, снижает загрязнение стен, потолка и мебели жировыми частицами и копотью.

**1.4** Изделие является воздухоочистительным устройством вытяжного типа с диаметральным вентилятором (турбиной), оснащенный жирославляющим алюминиевым (в комплекте) и имеет опцию доукомплектования запахопоглощающим угольным фильтром. Изготавливается шириной 600 или 900 мм из листовой углеродистой стали с декоративно-защитным покрытием порошковыми красками.

**1.5** В зависимости от схемы установки над плитой вытяжка может работать в двух вариантах:

- в режиме отвода воздуха в стационарную вентиляционную шахту (дымоход) кухни с использованием гофрированных алюминиевых или пластиковых воздуховодов Ø150 мм или Ø120 мм (рис.1);

- в режиме рециркуляции (замкнутой круговой циркуляции воздуха на кухне), когда вытяжка не подключается к дымоходу, а воздух проходит через жирославляющий алюминиевый (в комплекте) и запахопоглощающий угольный (покупается отдельно) фильтры и возвращается назад в кухню (рис.2).

**1.6****ВНИМАНИЕ!**

**НЕ НАЧИНАЙТЕ МОНТАЖ ВЫТЯЖКИ, ПОКА ВЫ НЕ ПОДКЛЮЧИЛИ ЕЕ К ЭЛЕКТРОСЕТИ И УБЕДИЛИСЬ В ЕЕ ТЕХНИЧЕСКОЙ ГОДНОСТИ, ПРОВЕРИВ ВСЕ ЕЕ ФУНКЦИИ.**

**1.7** Рекомендуем все работы по монтажу, подключению и ремонту Вашей вытяжки доверить только квалифицированным специалистам, что профессионально занимаются выполнением таких работ.

**1.8** Производитель не несёт ответственности за любые повреждения и поломки, которые связаны с неправильной установкой, эксплуатацией и ремонтом вытяжки.

**1.9** Производитель оставляет за собой право модификации изделия с це-

лю улучшения его качества и технических параметров.

**1.10** Технические характеристики вытяжки указаны в данной инструкции и на этикетке, закрепленной на внутренней поверхности корпуса (доступ к ней открывается при снятии фильтра).

**1.11** Внимание! Вытяжка монтируется на стене над электроплитами на высоте 650-750мм, а над газовыми плитами на высоте 750-850мм от рабочей поверхности плиты (рис.1).

## 2. ОСНОВНЫЕ ТЕХНИЧЕСКИЕ ХАРАКТЕРИСТИКИ

МОДЕЛЬ КУХОННОЙ ВЫТЯЖКИ		SLIMLUX S
Напряжение, В		220-230
Частота, Гц		50
Тип управления		Сенсорное
Количество режимов работы		3
Номинальная потребляемая мощность, Вт	Электродвигателя	150
	Лампы освещения (LED)	2x3
	Общая	156
Производительность при подключении к стандартной системе вентиляции, м <sup>3</sup> /час		480 / 650
Габаритные размеры вытяжки, мм	ширина	600 / 900
	глубина	300
	высота	178
Присоединительный размер воздуховода вентиляции, мм		Ø150 / Ø120
Масса (нетто), кг		5,9 (600mm) / 7,9 (900mm)
Уровень шума (ДБ)		61,8 (600mm) / 61,8 (900mm)
Класс защиты		I
Режим работы		S1 (долговременный)
Тип электрокабеля		Бронированный и заземленный

### 3. КОМПЛЕКТ ПОСТАВКИ

НАИМЕНОВАНИЕ	КОЛИЧЕСТВО
Вытяжка вентиляционная кухонная	1 шт.
Пластмассовый переходник патрубка (с Ø150 на Ø120мм)	1 шт.
Винт метрический М5х35 ЦБ ПТГ	4 шт.
Фильтр алюминиевый жироулавливающий (5-ти слойный)	2 шт. (600мм) 4 шт. (900мм)
Руководство по эксплуатации	1 экз.

### 4. ТРЕБОВАНИЯ БЕЗОПАСНОСТИ

**4.1** При монтаже, эксплуатации и проведении технического обслуживания категорически запрещается:

- включать вытяжку в электросеть с напряжением и частотой, которые не соответствуют указанным в разделе 2;
- использовать лампы освещения мощностью больше 3 Вт (LED);
- проводить техническое обслуживание, замену ламп, снимать фильтры, чистить вытяжку, не вынув предварительно вилку шнура из розетки электросети;
- эксплуатация вытяжки с открытым источником огня, открытыми газовыми горелками или нагревательными элементами. Нагревательные элементы должны быть всегда закрыты посудой;
- приготовление пищи с применением спиртных напитков;
- оставлять фритюрницы без надзора;
- эксплуатация вытяжки со снятыми фильтрами;
- подключать вытяжку к электросети плиты, обрезать при монтаже вилку электрошнура.

### ВНИМАНИЕ!

ИСПОЛЬЗОВАТЬ ГАЗОВУЮ (ЭЛЕКТРО) ПЛИТУ ПРИ ВЫКЛЮЧЕННОЙ ВЫТЯЖКЕ КАТЕГОРИЧЕСКИ ЗАПРЕЩАЕТСЯ!

**4.2** Во избежание поражения электротоком вытяжка должна включаться в розетку с заземлением.

**4.3** Вытяжка должна быть подключена к отдельной вентиляционной шахты. Недопустимо подключения других устройств к этой же шахты.

**4.4** При использовании вытяжки одновременно с другими обогревающими устройствами (газовые, масляные, печи и т. п.), кроме электрических, необходимо обеспечить помещение, в котором установлена вытяжка, дополнительным притоком свежего воздуха (например открыть форточку).

**4.5** При монтаже вытяжки на необходимой установочной высоте Н над плитой (рис.1) для отвода воздуха в дымоход используйте воздуховод Ø150- Ø120мм. Меньший диаметр создаст дополнительное сопротивление воздуху, что приведет к увеличению шума и вибрации, а также к перегреву двигателя.

**4.6** Обеспечивайте своевременную очистку многоразовых алюминиевых жирулавливающих фильтров, иначе снизится эффективность работы вытяжки и возникнет угроза пожара из-за накопления в них жира и пыли.

**4.7** При воспламенении нельзя включать вытяжку для уменьшения задымления до полной локализации огня.

**4.8** В случае возгорания под вытяжкой закройте пламя плотной тканью, отключите вытяжку от электросети, не используйте воду для тушения огня в местах нахождения электроприборов.

**4.9** Оберегайте шнур подключения к электросети от механических и термических повреждений.

## 5. ОПИСАНИЕ ВЫТЯЖКИ

**5.1** Вытяжка вентиляционная кухонная «SLIMLUX S» является воздухоочистительным устройством вытяжного типа с вентилятором (турбиной) и укомплектована жирулавливающим алюминиевым фильтром. Изделие изготавливается в одномоторном исполнении шириной 600 или 900 мм из листовой углеродистой стали с последующим декоративно-защитным покрытием порошковыми красками.

**5.2** Вытяжка относится к типу «встроенных выдвижных» вытяжек и встраиваемой в мебельный гарнитур кухни над плитой.

**5.3** В зависимости от схемы установки вытяжка работает в двух вариантах (рис.1 / рис.2) (также см. Пункт 1.5):

- в режиме отвода воздуха в дымоход кухни (рис.1);
- в режиме рециркуляции (рис.2) (замкнутый круговой оборот воздуха в кухне).

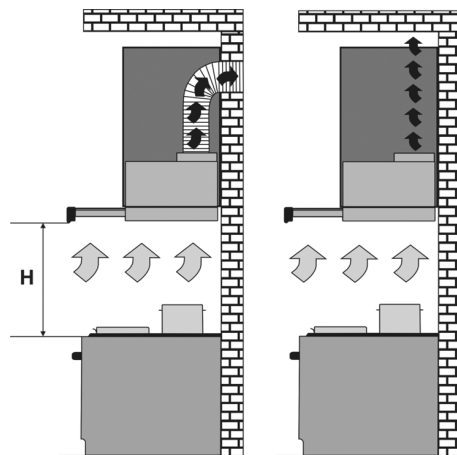


Рис. 1

Рис. 2

### Расстояние Н:

для электроплит 65 – 75

для газовых плит 75 - 85см

**«Необходимо учитывать, что при включенной вытяжке в закрытом помещении автоматически снижается давление, необходимо выравнять за счет притока свежего воздуха. Этого можно достичь путем открытия дверей, окон или оборудованием специальной приточной вентиляции.»**

## Кухонные вытяжки

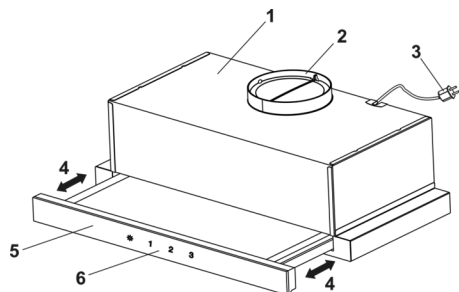


Рис. 3

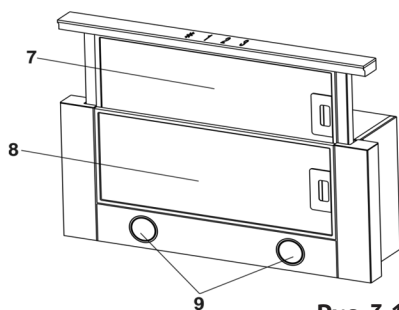


Рис. 3.1

**5.4** Вытяжка состоит из следующих составных частей (рис.3 / 3.1):

- 1 - корпус вытяжки
- 2 - переходник патрубка воздухо-вода (с  $\varnothing 150$  на  $\varnothing 120$ )
- 3 - шнур с заземлением (класс защиты - I)
- 4 - выдвижная панель с фильтром
- 5 - декоративное стекло
- 6 - переключатель режимов работы вытяжки (сенсорное управление)
- 7 - фильтр алюминиевый жирославливающий 1 (1шт. - 600 мм, 2 шт. - 900мм)
- 8 - фильтр алюминиевый жирославливающий 2 (1шт. - 600 мм, 2 шт. - 900мм)
- 9 - ламп освещения (LED)

## 6. ИНСТРУКЦИЯ ПО МОНТАЖУ ВЫТЯЖКИ

**6.1** Данная модель вытяжки установлена на дне кухонного шкафа.

**6.2** Выньте вытяжку из упаковочной коробки.

**6.3** Проверьте работу вытяжки, подключите ее к электрической сети и проверьте все ее функции.

Напоминаем, что высота установки вытяжки над электрическими плитами должна быть не менее 650 мм, а над газовой - не менее 750 мм (рис. 1).

**6.4** Для монтажа должно быть установлено и оборудовано отверстие для выхода воздуха и соединения выхлопной трубы.

**6.5** Чтобы установить вытяжку в кухонном шкафу, сделайте 4 отверстия диаметром 6-7 мм в нижней полке шкафа в соответствии с рис. 4. Закрепить вытяжку с помощью 4 винтов M5x3 (рис. 4.1).

**6.6** Подсоедините барботер к выходу турбины (с переходником трубы барботера  $\varnothing 150 \times 120$  мм). Снимите другой конец барботера в вентиляционную шахту (Рис. 4 / 4.1).

**6.7** Если вытяжка должна работать в режиме вытяжки воздуха, установите барботер выбранного диаметра в соответствии с инструкциями, убедившись в его герметичности.

**6.8** Если вытяжка будет работать в режиме рециркуляции, то барботер не требуется. Должен быть установлен



угольный дымовой фильтр (приобретается отдельно).

**6.9** Проверьте надежность монтажа вытяжки, подайте и подключите шнур к электросети через розетку.

**С целью дополнительной защиты от перепадов напряжения в сети рекомендуем подключать вытяжку через дополнительный автоматический выключатель 6А.**

## 7. ИНСТРУКЦИЯ ПО ЭКСПЛУАТАЦИИ ВЫТЯЖКИ

**7.1** Вытяжка с сенсорным выключателем имеет 3 скорости вентиляции. В зависимости от величины испарений при приготовлении пищи Вы можете выбрать низкий, средний или высокий уровень вентиляции.

**7.2** Перед началом приготовления пищи включите вытяжку в необходимом режиме работы. Рекомендуется продолжить работу вытяжки на 3-5 минут после окончания приготовления пищи, таким образом воздух кухни будет очищено от остатков испарений.

**7.3** На декоративном стекле Вашей вытяжки находится сенсорный переключатель режимов работы двигателя и ламп освещения (рис.5):

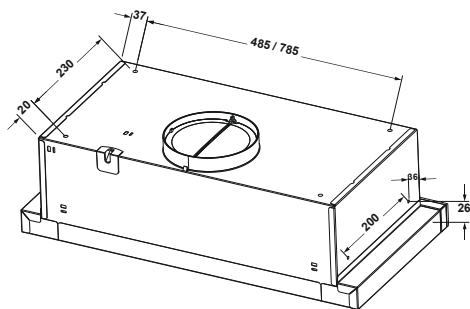


Рис. 4

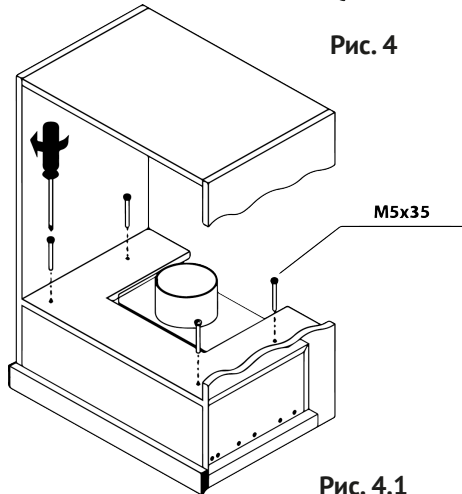



Рис. 4.1



Рис. 5

 - включение / выключение освещения

1 скорость (низкие обороты) - нажмите выключатель в положение «1»

2 скорость (средние обороты) - нажмите выключатель в положение «2»

3 скорость (высокие обороты) - нажмите выключатель в положение «3»

Сенсорный переключатель с символом лампочки, предназначенный для включения светильника при недостаточном освещении рабочей зоны плиты, находится слева на корпусе вытяжки.

**Кухонные вытяжки****Включение вытяжки:**

- нажмите на любую из сенсорных кнопок регулировки скорости (1, 2, 3) и вытяните панель выдвижную;

- включите освещение при необходимости (кнопка с символом лампочки), освещение работает как при закрытой так и открытой панели выдвижной.

**Исключение вытяжки:**

- нажмите на сенсора кнопку регулировки скорости (1, 2, 3) в зависимости на какой скорости работает вытяжка (1-1, 2-2, 3-3) или засуньте панель выдвижную.

Включение и выключение вытяжки сенсорным переключателем осуществляется двойным нажатие, то есть нажали на 1 скорость - вытяжка включилась, повторно нажали на 1 скорость - вытяжка выключилась. Панель выдвижную вытащили на себя - вытяжка включилась, засунули в исходное положение - вытяжка выключилась.

**Запуск таймера:**

Для запуска таймера нажмите на одну из сенсорных кнопок (1, 2, 3) и удерживайте в течение 5 секунд.

Таймер автоматически выключит изделие через 5 минут.

**8. ИНСТРУКЦИИ ПО УХОДУ  
ЗА ВЫТЯЖКОЙ****ВНИМАНИЕ!**

ПЕРЕД ЧИСТКОЙ ВЫТЯЖКИ ОТКЛЮЧИТЕ ОТ СЕТИ.

**8.1** Для внешней очистки вытяжек из нержавеющей стали используйте специальные средства, придерживаясь соответствующих инструкций.

**8.2** Никогда не используйте для очистки вытяжки абразивные моющие средства, и средства, содержат соду, кислоту, хлориды или растворители, грубые губки.

**8.3** При мойке избегайте попадания влаги на токоведущие части вытяжки, и особенно в электронный узел управления; после мытья протрите поверхности мягкой салфеткой.

**8.4** Для чистки стеклянных поверхностей пригодны обычные средства для очистки стекла.

**8.5** Алюминиевый фильтр, удерживая масло и пыль из воздуха, забивается и его следует мыть после отмачивания в горячей воде с эффективным моющим средством 1 раз каждые 1,5 - 2 месяца. Изменение цвета фильтра после мытья не влияет на качество его работы.

**8.6** Для снятия алюминиевого фильтра (рис.6) следует нажать на пружинную защелку алюминиевого фильтра 1 и снять его. Вытянуть выдвижную панель с фильтром 2 и снять алюминиевый фильтр 3. Установление фильтра выполняется в обратном порядке. Не устанавливайте фильтр после мытья до их полного высыхания.

**8.7** На вытяжке установлении LED лампы для освещения рабочей зоны плиты. Перед началом замены ламп освещения необходимо отключить вытяжку от электросети, дать возмож-

ность остыть лампам. Для замены лампы необходимо снять алюминиевый фильтр 1, вытянуть выдвижную панель с фильтром 2, отжать держатель патрона на себя, чтобы лампа 3 вышла из корпуса вытяжки, удерживая держатель патрона, слегка надавить на лампу в направлении патрона и, повернув ее против часовой стрелки, вынуть из корпуса вытяжки (рис.7). Вместо нее необходимо установить новую с теми же характеристиками и установить алюминиевый фильтр 1.

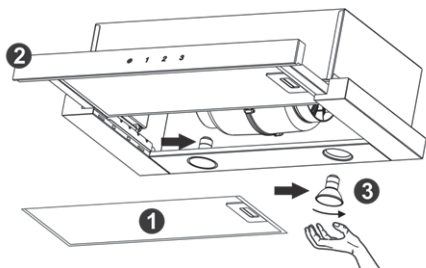


Рис. 6

Замена ламп освещения.

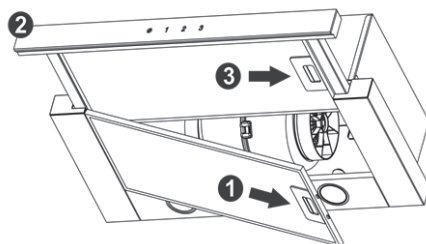
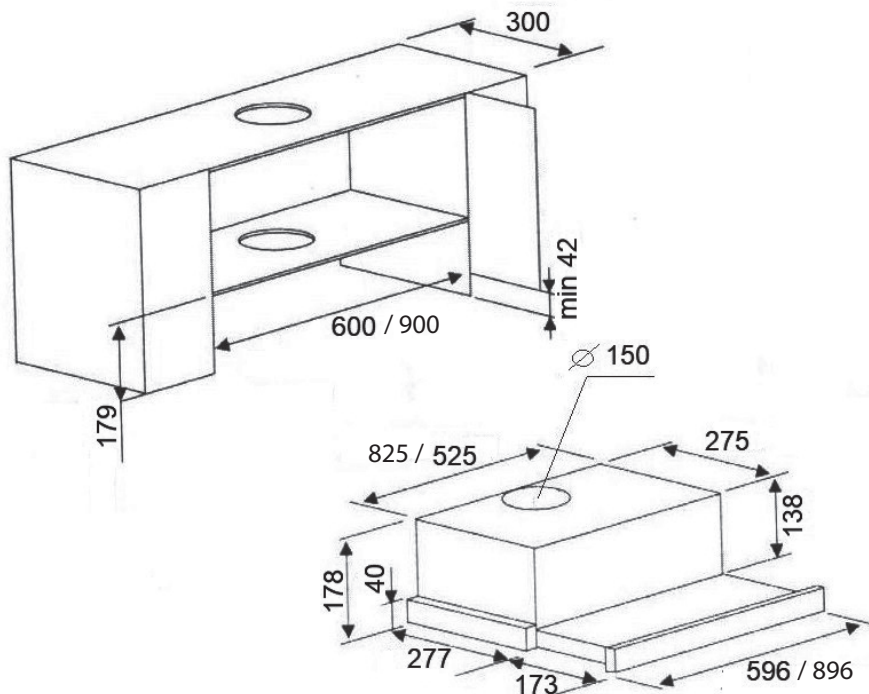


Рис. 7

Снятие алюминиевого фильтра.



**Производители:**

Сделано в Европе  
ООО «Модуль ИТП»  
46400, Украина, г. Тернополь, ул. Подольская, 46.

**Импортер:**

ООО «Эм-Джи Русланд», 141400  
г. Химки, ул. Бутаково, д. 4

**NOTES / ДЛЯ ЗАМЕТОК**

---

---

---

---

---

---

---

---

---

---

---

---

---

---

---

---

---

---

---

---

---

---

---

---

---

## Кухонные вытяжки

**ООО «КУППЕРСБЕРГ-СЕРВИС»****УСТАНОВКА, ГАРАНТИЙНОЕ И ПОСТГАРАНТИЙНОЕ ОБСЛУЖИВАНИЕ  
ПО МОСКВЕ И МОСКОВСКОЙ ОБЛАСТИ****☎ +7 (495) 236-90-67****Телефон горячей линии Kuppersberg:****☎ 8 (800) 250-17-18****(Звонки для всех регионов бесплатные).****🗨 Часы работы линии: с 9:00 до 18:00 Пн-Пт****➔ Полный список авторизованных сервисных центров Kuppersberg  
можно найти на официальном сайте компании****🌐 <http://kuppersberg.ru>**

- ➔ Данный паспорт технического изделия заменяет гарантийный талон.**
- ➔ Гарантийный срок исчисляется со дня заключения договора купли-продажи.**
- ➔ При отсутствии документов подтверждающих покупку, эти сроки исчисляются со дня изготовления товара (Ст. 19 ЗоЗПП, пункт 2).**

**УСЛОВИЯ ГАРАНТИИ**

Настоящие условия гарантии действительны на территории России, если иные условия не установлены действующим законодательством:

1. Изготовитель устанавливает гарантийный срок 2 (два) года со дня передачи Потребителю на следующие виды техники: воздухоочистители, встраиваемую технику. Срок службы бытовой техники «Kuppersberg» при соблюдении правил эксплуатации и применения ее в бытовых целях составляет 10 (десять) лет.

2. Гарантия распространяется на изделия, использующиеся только для личных, семейных, домашних нужд, а также нужд, не связанных с осуществлением предпринимательской деятельности.

3. Проследите, чтобы гарантийный талон был правильно заполнен, не имел исправлений и в нем были указаны: дата продажи, штамп торговой организации и подпись продавца, модель и серийный номер изделия, дата установки, название и штамп фирмы-установщика.

4. Сохраняйте гарантийный документ, чек на проданное изделие и квитанцию на услуги по его установке (доставке), доработке водяных и электрических внутриквартирных коммуникаций, а также любые другие документы, относящиеся к гарантийному или техническому обслуживанию изделия.

5. Прежде чем вызвать специалиста сервисного центра, внимательно прочитайте инструкцию по эксплуатации изделия. Если изделие исправно, то за сервисным центром остается право требовать от Потребителя оплаты ложного вызова.

6. Любые претензии по качеству изделия рассматриваются только после предварительной проверки качества изделия представителем сервисного центра.

7. Изготовитель не несет какой-либо ответственности за любой возможный ущерб, нанесенный потребителю, в случае несоблюдения последним требований Изготовителя, указанных в данном гарантийном документе и инструкции по эксплуатации.

8. Гарантийный срок на элементы освещения (галогеновые, светодиодные и лампы накаливания) составляет 15 дней со дня продажи прибора.

**Гарантия не распространяется на изделия, недостатки в которых возникли вследствие:**

1. Несоблюдения требований Изготовителя, указанных в гарантийном документе;
2. Несоблюдения Потребителем правил установки, подключения, эксплуатации, хранения или транспортировки изделия, указанных в инструкции по эксплуатации;
3. Ремонта неуполномоченными на то лицами, если таковой ремонт повлек за собой отказ изделия;
4. Разборки изделия, изменения конструкции и других вмешательств, не предусмотренных инструкцией по эксплуатации;
5. Неисправностей и повреждений, вызванных экстренными условиями и действием непреодолимой силы (пожар, стихийные бедствия, и т.д.);
6. Повреждений техники или нарушений ее нормальной работы, вызванных животными или насекомыми;
7. Повреждений техники или нарушений ее нормальной работы, вызванных сверхнормативными отклонениями параметров сети электро-, газо-, или водоснабжения от номинальных значений;
8. Исползования изделия для предпринимательской деятельности или в непредусмотренных целях;
9. Образования на нагревательных элементах избыточного слоя накипи (при повышенной жесткости воды необходима обработка соответствующими составами);
10. Попадания во внутренние рабочие объемы изделия посторонних предметов, мелких деталей одежды или остатков пищи;
11. Механических повреждений изделия Потребителем (царапины, трещины, сколы и т.п.);
12. Потери товарного вида изделия вследствие воздействия на изделие химических веществ;
13. Термических и других подобных повреждений, которые возникли в процессе эксплуатации.

**Изготовитель не принимает претензии в следующих случаях:**

1. Несоблюдение правил установки;
2. Отсутствие оригинального гарантийного талона;
3. Отсутствие в гарантийном талоне следующих сведений: даты продажи, штампа торгующей организации, подписи продавца, модели и серийного номера изделия;
4. Внесение любых исправлений (изменений) в текст гарантийного документа.

**Установка и подключение крупной бытовой техники:**

1. Производитель рекомендует Вам доверить установку и подключение изделия «Kuppersberg» специалистам сервисного центра. Вы можете также обращаться в любую другую организацию, имеющую сертификат на оказание подобных услуг.

2. Оплата работ по установке и подключению изделия происходит по прейскуранту сервисного центра. Условия оплаты работ по установке и подключению регулируются действующим законодательством. Изготовитель не несет какой-либо ответственности за любой ущерб, нанесенный имуществу граждан вследствие установки и подключения, не соответствующих требованиям, указанным в инструкции по эксплуатации, и произведенных неуполномоченными на то лицами.

3. В случае нарушения требований Изготовителя по установке и подключению, ответственность за причиненный ущерб несет лицо, проводившее эту работу.

4. Газовая бытовая техника может быть установлена только специалистом, имеющим допуск на установку газового оборудования. Гарантийное обслуживание осуществляется только при наличии отметки об установке или документа уполномоченной организации.

Изделие, имеющее трех-контактную сетевую вилку, обязательно должно быть заземлено!





⇒ **ВНИМАНИЕ!**

**ДАННЫЙ ПАСПОРТ ИЗДЕЛИЯ  
ТАК ЖЕ ЯВЛЯЕТСЯ  
ГАРАНТИЙНЫМ ТАЛОНОМ,  
ПРОСЬБА НЕ УНИЧТОЖАТЬ  
ДО КОНЦА ЭКСПЛУАТАЦИИ  
ТЕХНИКИ.**

⇒ Kuppersberg

⇒ [www.kuppersberg.ru](http://www.kuppersberg.ru)

⇒ [info@kuppersberg.ru](mailto:info@kuppersberg.ru)