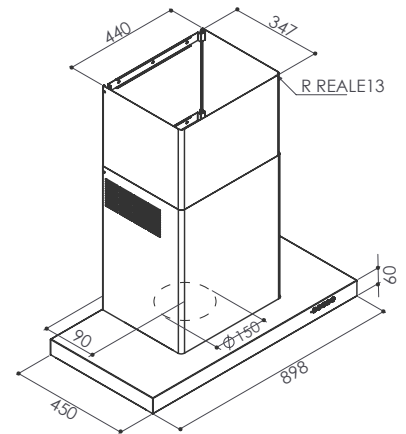


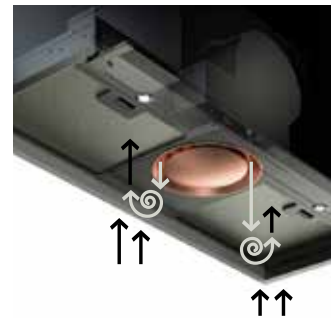
NEW  
IN AUTUMN  
2016



STEAM OFF Technology

# LUFT

LUFT X A90 cod. 110.0456.293



Exclusive, condensation-free comfort



(optional)



81 / FABER

FEATURES	PERFORMANCES	ACCESSORIES
<b>Finish</b> · Stainless steel	<b>Speed</b> 1 2 INT	<b>Cod. 112.0459.432</b>
<b>Controls</b> Squarcle touch	<b>Air capacity IEC point</b> 310 430 720	Charcoal filter
<b>Lighting</b> LED lights	<b>Pressure</b> 440 490 520	<b>Cod. 112.0157.354</b>
<b>Grease filter</b> Cassettes dishwasher safe	<b>Input</b> 185 220 280	Remote control
<b>Ø of air outlet</b> 120 mm	<b>Noise level</b> 50 57 69	
<b>Width</b> 900 mm		
<b>Energy class</b> A		

**EXCLUSIVE, CONDENSATION-FREE COMFORT**  
With Steam Off System, the exclusive Faber technology, the hood not only sucks in but also emits air jets that create a vortical motion and acceleration and help to convey and capture the steam. This puts an end to condensation and its depositing under and around the hood! **DOUBLE AIR ACTION TO COMPLETELY ELIMINATE CONDENSATION.**