

- GB** COOKER HOOD - User instructions
- CZ** ODSAVAČ PAR - Návod k použití
- DK** EMHÆTTE - Brugervejledning
- FIN** LIESITUULETIN - Käyttöohje
- GR** ΑΠΟΡΡΟΦΗΤΗΡΑΣ ΣΕ ΕΚΔΟΣΗ ΑΠΟΡΡΟΦΗΣΗΣ - Εγχειρίδιο χρήσης
- H** ELSZÍVÓ KÜRTŐ - Használati utasítás
- N** AVTREKSKAPPE - Bruksanvisning
- PL** OKAP ZASYSAJĄCY - Instrukcja obsługi
- R** HOTĂ ASPIRANTĂ - Manual de utilizare
- RUS** ВЫТЯЖНОЙ КОЛПАК - Руководство пользователя
- S** SPISKÅPA - Bruksanvisning
- SLO** KUHINJSKA NAPA - Navodila za uporabo
- HR** ISISNA NAPA - Upute za uporabu Pažljivo
- LV** TVAIKU NOSŪCĒJS - Lietošanas instrukcija
- LT** DŪMTRAUKIS - vartotojo instrukcijos
- EST** TÕMBEKAPP - Kasutusjuhend
- UA** ВИТЯЖКА - Інструкції з експлуатації
- BG** КУХИЕНСКИ АСПИРАТОР - Инструкция за употреба
- SK** ODSÁVAČ PÁR - Návod na použitie
- SR** ASPIRATOR - Uputstvo za upotrebu
- MK** АСПИРАТОР - Упатство за употреба



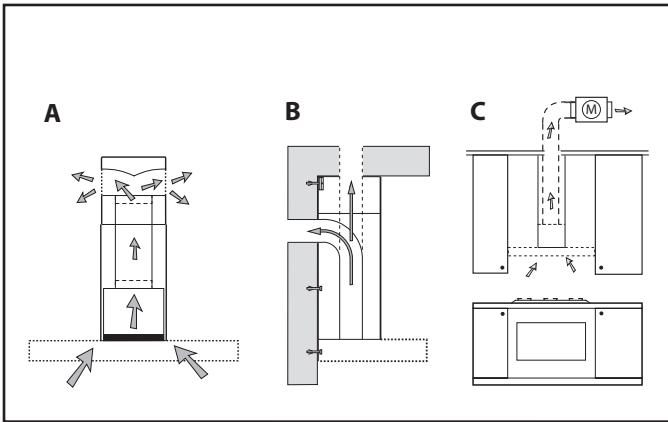


Fig.1

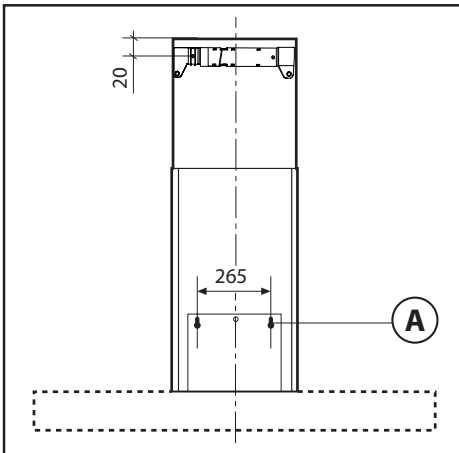
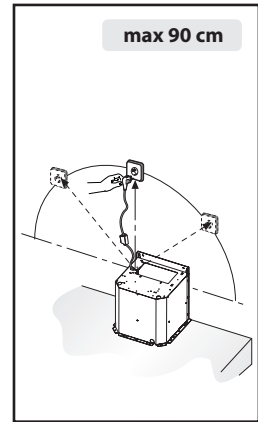


Fig.2

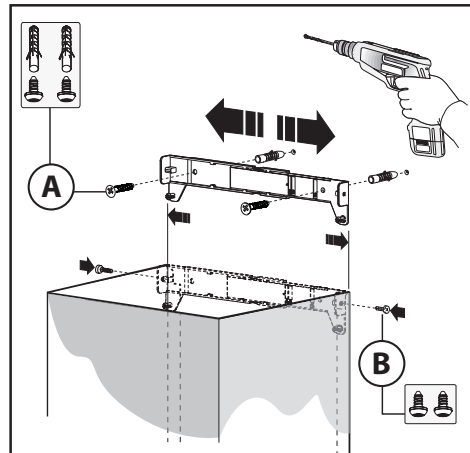


Fig.3

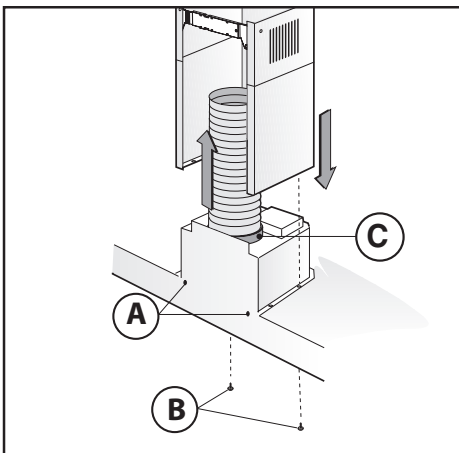


Fig.4

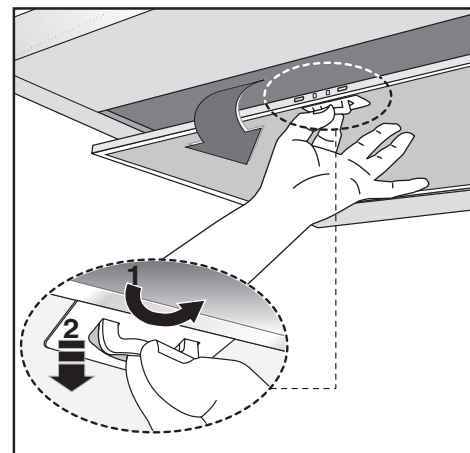


Fig.5

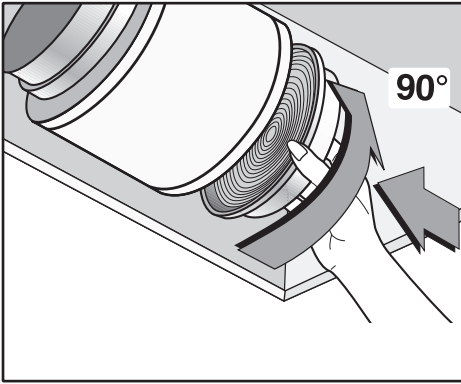


Fig.6

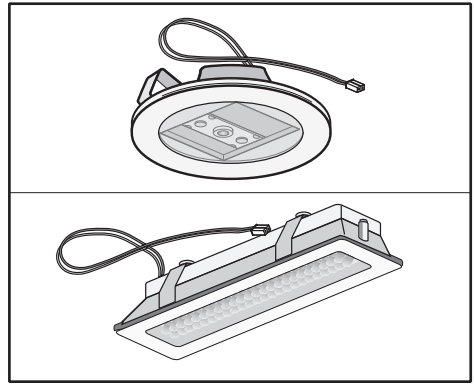


Fig.7

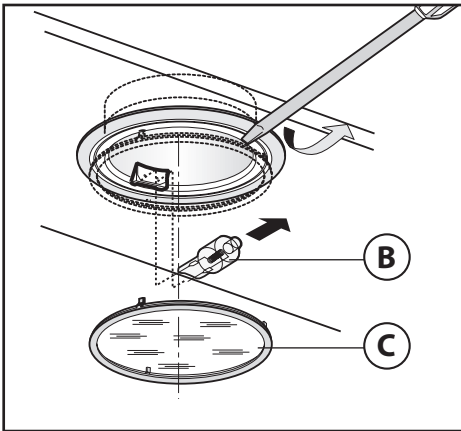


Fig.8

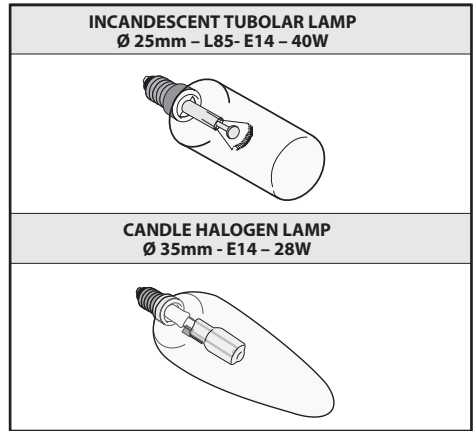


Fig.9

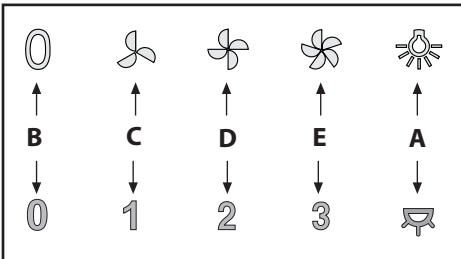


Fig.10

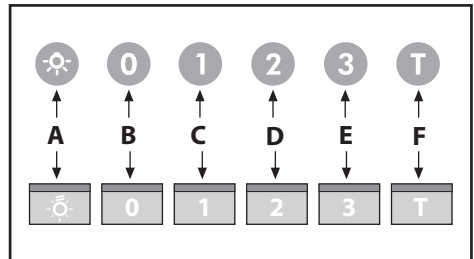


Fig.11

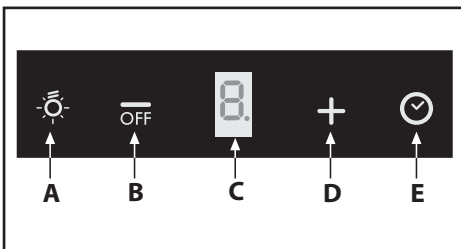


Fig.12

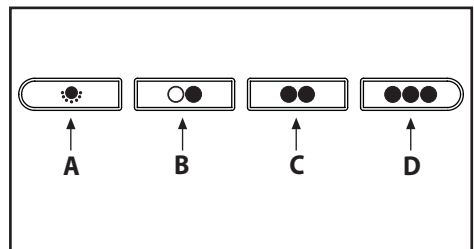


Fig.13

**GENERAL**

Carefully read the following important information regarding installation safety and maintenance. Keep this information booklet accessible for further consultations. The appliance has been designed for use in the ducting version (air exhaust to the outside – Fig.1B), filtering version (air circulation on the inside – Fig.1A) or with external motor (Fig.1C).

**SAFETY PRECAUTION**

1. Take care when the cooker hood is operating simultaneously with an open fireplace or burner that depend on the air in the environment and are supplied by other than electrical energy, as the cooker hood removes the air from the environment which a burner or fireplace need for combustion. The negative pressure in the environment must not exceed 4Pa (4x10<sup>-5</sup> bar). Provide adequate ventilation in the environment for a safe operation of the cooker hood. Follow the local laws applicable for external air evacuation.

**Before connecting the model to the electricity network:**

-Control the data plate (positioned inside the appliance) to ascertain that the voltage and power correspond to the network and the socket is suitable. If in doubt ask a qualified electrician.

-If the power supply cable is damaged, it must be replaced with another cable or a special assembly, which may be obtained direct from the manufacturer or from the Technical Assistance Centre.

-This device must be connected to the mains supply through either a plug fused 3A or hardwired to a 2 phase spur protected by 3A fuse.

**2. Warning!**

**In certain circumstances electrical appliances may be a danger hazard.**

**A) Do not check the status of the filters while the cooker hood is operating.**

**B) Do not touch bulbs or adjacent areas, during or straight after prolonged use of the lighting installation.**

**C) Flambè cooking is prohibited underneath the cooker hood.**

**D) Avoid free flame, as it is damaging for the filters and a fire hazard.**

**E) Constantly check food frying to avoid that the overheated oil may become a fire hazard.**

**F) Disconnect the electrical plug prior to any maintenance.**


**G) This appliance is not intended for use by young children or infirm persons without supervision.**

**H) Young children should be supervised to ensure they do not play with the appliance**

**I) There shall be adequate ventilation of the room when the rangehood is used at the same time as appliances burning gas or other fuels.**

**L) There is a risk of fire if cleaning is not carried out in accordance with the instructions.**

This appliance conforms to the European Directive EC/2002/96, Waste Electrical and Electronic Equipment (WEEE). By making sure that this appliance is disposed of in a suitable manner, the user is helping to prevent potential damage to the environment or to public health.

 The symbol on the product or on the accompanying paperwork indicates that the appliance should not be treated as domestic waste, but should be delivered to a suitable electric and electronic appliance recycling collection point. Follow local guidelines when disposing of waste. For more information on the treatment, re-use and recycling of this product, please contact your local authority, domestic waste collection service or the shop where the appliance was purchased.

**INSTALLATION INSTRUCTIONS**

- **Assembly and electrical connections must be carried out by specialised personnel.**
- **Wear protective gloves before proceeding with the installation.**

**• Electric Connection:**

-The appliance has been manufactured as a class II, therefore no earth cable is necessary. The plug must be easily accessible after the installation of the appliance. If the appliance is equipped with power cord without plug, a suitably dimensioned omnipolar switch with 3 mm minimum opening between contacts must be fitted between the appliance and the electricity supply in compliance with the load and current regulations.

-The connection to the mains is carried out as follows:

BROWN = **L** line

BLUE = **N** neutral.

• The minimum distance between the support surfaces of the cooking pots on the cooker top and the lowest part of the cooker hood must be at least **65 cm**. If a connection tube composed of two parts is used, the upper part must be placed outside the lower part. Do not connect the cooker hood exhaust to the same conductor used to circulate hot air or for evacuating fumes from other appliances generated by other than an electrical source. Before proceeding with the assembly operations, remove the anti-grease filter(s) (Fig.5) so that the unit is easier to handle.

-In the case of assembly of the appliance in the suction version prepare the hole for evacuation of the air.

• We recommend the use of an air exhaust tube which has the same diameter as the air exhaust outlet hole. If a pipe with a smaller diameter is used, the efficiency of the product may be reduced and its operation may become noisier.

**• Fixing to the wall**

Drill the holes **A** respecting the distances indicated (Fig.2). Fix the appliance to the wall and align it in horizontal position to the wall units. When the appliance has been adjusted, definitely fix the hood using the screws **A** (Fig.4). For the various installations use screws and screw anchors suited to the type of wall (e.g. reinforced concrete, plasterboard, etc.). If the screws and screw anchors are provided with the product, check that they are suitable for the type of wall on which the hood is to be fixed.

**• Fixing the decorative telescopic flue**

Arrange the electrical power supply within the dimensions of the decorative flue. If your appliance is to be installed in the ducting version or in the version with external motor, prepare the air exhaust opening. Adjust the width of the support bracket of the upper flue (Fig.3). Then fix it to the ceiling using the screws **A** (Fig.3) in such a way that it is in line with your hood and respecting the distance from the ceiling indicated

in Fig.2. Connect the flange **C** to the air exhaust hole using a connection pipe (Fig.4). Insert the upper flue into the lower flue. Fix the lower flue to the hood using the screws **B** provided (Fig.4), extract the upper flue up to the bracket and fix it with the screws **B** (Fig.3). To transform the hood from a ducting version into a filtering version, ask your dealer for the charcoal filters and follow the installation instructions.

#### • Filtering version

Install the hood and the two flues as described in the paragraph for installation of the hood in ducting version. To assemble the filtering flue refer to the instructions contained in the kit. If the kit is not provided, order it from your dealer as accessory. The filters must be applied to the suction unit positioned inside the hood. They must be centred by turning them 90 degrees until the stop catch is tripped (Fig.6).

### USE AND MAINTENANCE

• We recommend that the cooker hood is switched on before any food is cooked. We also recommend that the appliance is left running for 15 minutes after the food is cooked, in order to thoroughly eliminate all contaminated air.

The effective performance of the cooker hood depends on constant maintenance; the anti-grease filter and the active carbon filter both require special attention.

• **The anti-grease filter** is responsible retaining the grease particles suspended in the air, therefore it is subject to clogging with variable frequency according to the use of the appliance.

- To prevent the danger of possible fires, at least every 2 months one must wash the anti-grease filters by hand using non-abrasive neutral liquid detergents or in the dishwasher at low temperatures and on short cycles.

- After a few washes, colour alterations may occur. This does not give the right to claim their replacement.

• **The active carbon filters** are used to purify the air that is sent back into the room and its function is to mitigate the unpleasant odours produced by cooking.

- The non-regenerable active carbon filters must be replaced at least every 4 months. The saturation of the active charcoal depends on the more or less prolonged use of the appliance, on the type of kitchen and on the frequency with which anti-grease filter is cleaned.

- Regenerable active charcoal filters must be washed by hand, with non abrasive neutral detergents, or in the dishwasher at a maximum temperature of 65°C (the washing cycle must be complete without dishware). Remove excess water without damaging the filter, remove the plastic parts, and let the mat dry in the oven for at least 15 minutes approximately at a maximum temperature of 100°C. To keep the regenerable charcoal filter functioning efficient this operation must be repeated every 2 months. These must be replaced at least every 3 years or when the mat is damaged.

• **Before remounting the anti-grease filters and the regenerable active charcoal filters it is important that they are completely dry.**

• **Clean the hood frequently, both internally and externally, using a cloth dampened with denatured alcohol or neutral liquid detergents that are non abrasive.**

• The lighting system is designed for use during cooking and not for the prolonged general lighting of the room. The prolonged use of the lighting system significantly decreases the average duration of the bulbs.

• If the appliance is equipped with courtesy lights it is possible to use them for general room lighting for a prolonged amount of time.

• **Attention:** the non compliance with the hood cleaning warnings and with the replacement and cleaning of the filters entails risk of fires. One therefore recommends keeping to the suggested instructions.

#### • Replacing LED lamps (Fig.7):

If the appliance version is with LED lamps, the intervention of a specialised technician is necessary to replace them.

#### • Replacing halogen light bulbs (Fig.8):

To replace the halogen light bulbs **B**, remove the glass pane **C** using a lever action on the relevant cracks.

Replace the bulbs with new ones of the same type.

**Caution:** do not touch the light bulb with bare hands.

#### • Replacing the halogen/incandescent lamps (Fig.9):

Only use lamps of the same type and wattage installed on the device.

• **Commands (Fig.10) mechanical** the key symbols are explained below:

**A** = LIGHT

**B** = OFF

**C** = SPEED I

**D** = SPEED II

**E** = SPEED III.

• **Commands luminous (Fig.11)** the key symbols are explained below:

**A** = LIGHT

**B** = OFF

**C** = SPEED I

**D** = SPEED II

**E** = SPEED III

**F** = AUTOMATIC STOP TIMER - 15 minutes (\*)

If your appliance has the **INTENSIVE** speed function, from speed THREE, press key **E** for 2 seconds and it will be activated for 10 minutes after which it will return to the previously set speed.

When the function is active the LED flashes.

To interrupt it before the 10 minutes have elapsed, press key **E** again.

Some models allow activating this function even with speed one and two.

By pressing key **F** for two seconds (with the hood switched off) the "**clean air**" function is activated. This function switches the appliance on for ten minutes every hour at the first speed. As soon as this function is activated the motor starts up at the first speed for ten minutes. During this time key **F** and key **C** must flash at the same time. After ten minutes the motor switches off and the LED of key **F** remains switched on with a fixed light until the motor starts up again at the first speed after fifty minutes and keys **F** and **C** start to flash again for ten minutes and so on. By pressing any key for the exclusion of the hood light the hood will return immediately to its normal functioning (e.g. if key **D** is pressed the "**clean air**" function is deactivated and the motor moves to the 2nd speed straight away. By pressing key **B** the function is deactivated).

(\*) The "**AUTOMATIC STOP TIMER**" delays stopping of the hood, which will continue functioning for 15 minutes at the operating speed set at the time this function is activated.

#### • Anti-grease/active charcoal filters saturation:

-When the **A** key flashes with a **2 second** frequency the anti-

grease filters must be washed.

-When the **A** key flashes with a **0.5 second** frequency the active carbon filters must be replaced or washed depending on the type of filter.

Once the clean filter has been put back one must reset the electronic memory by pressing the **A** key for approximately **5 seconds** until it stops flashing.

#### • Commands (Fig.12):

**Push-button A** = On/off lights switch.

**Push-button B** = On/off cooker hood switch. The appliance switches on at speed level 1, if the cooker hood is on depress the push-button for 2 sec. to switch off the cooker hood. If the cooker hood is at speed level 1 it will not be necessary to depress the push-button to switch the cooker hood off. Decreases the motor speed.

**Display C** = Indicates the motor speed level selected and activates the timer.

**Push-button D** = Switches on the cooker hood. Increases the motor speed. Touching the key at 3rd speed, the intensive function runs for 10'; then the appliance go back to work at the original speed. During this function the display blinks.

**Key E** = The Timer times the functions on activation for 15 minutes, after which they are switched off. The Timer is deactivated by re-pressing **Key E**. When the Timer is activated the decimal point must flash on the display. The Timer cannot be activated if the intensive speed is functioning.

The "clean air" function is activated by pressing key **E** for 2 seconds when the appliance is switched off. This switches the motor on for 10 minutes every hour at the first speed. During functioning a rotary movement of the peripheral segments must be visualised on the display. When this time has passed the motor switches off and the fixed letter "C" must be visualised on the display until the motor re-starts after 50 minutes for another 10 minutes and so on. Press any key apart from the light keys to return to normal functioning. Press key **E** to deactivate the function.

#### • Active carbon/grease filter saturation:

-When display item **C** flashes, at a speed where it alternates with the letter **F** (e.g. 1 and **F**), the grease filters must be washed.

-When display item **C** flashes, at a speed where it alternates with the letter **A** (e.g. 1 and **A**), the active carbon filters must be replaced or washed depending on the type of filter.

After the clean filter has been positioned correctly, the electronic memory must be reset by pressing button **A** for approximately **5 seconds**, until the indication **F** or **A** shown on the display **C** stops flashing.

• **Mechanical controls (Fig.13):** the symbols are as follows:

**A** = LIGHT / ON-OFF key

**B** = OFF /FIRST SPEED key

**C** = SECOND SPEED key

**D** = THIRD SPEED key

If the hood is shut off at first, second or third speed, when it is turned back on, it will start at the same speed it was in when switched off.

**THE MANUFACTURER DECLINES ALL RESPONSIBILITY FOR EVENTUAL DAMAGES CAUSED BY BREACHING THE ABOVE WARNINGS.**

## ÚVOD'

Přečtěte si pozorně obsah návodu, protože poskytuje důležité informace týkající se bezpečné instalace, používání i údržby zařízení. Uchovejte si návod pro jakoukoliv budoucí potřebu. Přístroj je určen k odsávání (odvádění vzduchu ven – Obr.1B), filtrování (recyklace vzduchu v místnosti – Obr.1A) nebo k požití s externě umístěným motorem (Obr.1C).

## BEZPEČNOSTNÍ OPATŘENÍ

1. Vyžaduje se opatrnost, jestliže jsou současně v činnosti odsavač par a jiný hořák nebo tepelné zařízení závislé na vzduchu místnosti a napájené jinou energií než elektrickou, protože odsavač par potřebovává vzduch z okolí, který hořák nebo jiné tepelné zařízení potřebují ke spalování. Negativní tlak nesmí překročit 4Pa ( $4 \times 10^{-3}$  bar). K bezpečnému provozu je tedy nutná odpovídající ventilace místnosti. Při odvádění vzduchu do vnějšího prostředí je nutné se řídit platnými předpisy Vaší země.

### Před napojením modelu na elektrickou síť:

- Zkontrolujte tabulku s údaji umístěnou uvnitř přístroje a ověřte si, že napětí a výkon odpovídají místní síti a rovněž zásuvka je vhodná.

V případě jakékoliv pochyby se poraďte s kvalifikovaným elektrikářem.

- Je-li napájecí kabel poškozen, musí být nahrazen speciálním kabelem nebo sadou, která jsou k dispozici u výrobce nebo u jeho servisního střediska.

- Připojte zařízení k napájení prostřednictvím zástrčky s pojistkou 3A nebo ke dvěma vodičům dvou fází, chráněným pojistkou 3A.

## 2. UPOZORNĚNÍ!

V některých situacích mohou být elektrická zařízení zdrojem nebezpečí.

**A) Nekontrolujte stav filtrů, zatímco je odsavač v činnosti.**

**B) Nedotýkejte se žárovek a přilehlých prostor během dlouhodobého použití osvětlení nebo bezprostředně po něm.**

**C) Je zakázáno připravovat jídla na plameni pod odsavačem.**

**D) Vyhnete se použití volných plamenů, protože poškozují filtry a mohou způsobit požár.**

**E) Udržujte neustále pod kontrolou smažení jídel, aby se zabránilo vznícení rozpáleného oleje.**

**F) Před zahájením údržby odpojte zástrčku ze zásuvky elektrického rozvodu.**

**G) Zařízení není určeno pro použití dětmi nebo nevěpravnými osobami bez dozoru.**

**H) Dohlížejte na děti, abyste si byli jisti, že si nehrají se zařízeními.**

**I) Když je odsavač používán současně se zařízeními spalujícími plyn nebo jiná paliva, místnost se musí vhodně větrat.**

**L) Když nebudou řádně provedeny úkony údržby, existuje riziko vzniku požáru.**

Toto zařízení je označeno v souladu s Evropskou směrnicí 2002/96/ES, Waste Electrical and Electronic Equipment (WEEE). Tím, že se uživatel ujistí o správné likvidaci tohoto výrobku, přispívá k předcházení případným negativním následkům na

životní prostředí a na zdraví.



Symbol na výrobku nebo na příložené dokumentaci poukazuje na to, že se s tímto výrobkem nesmí zacházet jako s běžným domovním odpadem, ale musí se odeslat do vhodné sběrně určené pro recyklaci elektrických a elektronických zařízení. Zařízení se musíte zbavit v souladu s místními předpisy pro likvidaci odpadu. Podrobnější informace o zacházení s tímto výrobkem, jeho opětovným použitím a recyklaci můžete získat, když se obrátíte na příslušný místní úřad, sběrnou službu domovního odpadu nebo obchod, ve kterém jste výrobek zakoupili.

## NÁVOD K INSTALACI

**• Operace spojené s montáží a elektrická napojení musí být provedeny pouze odborným personálem.**

**• Používat ochranné rukavice pro provádění operací montáže.**

### • Elektrické zapojení:

Zařízení je vyrobeno v II. třídě, a proto žádný vodič nesmí být uzemněn. Po instalaci zařízení musí být zástrčka snadno přístupná.

V případě, že je zařízení vybaveno kabelem bez zástrčky, je pro jeho připojení do elektrického rozvodu třeba mezi zařízení a elektrický rozvod zapojit omnipolární stykač s minimální vzdáleností kontaktů 3 mm, navržený pro příslušnou zátěž a odpovídající platným normám.

Napojení k elektrické síti musí být provedeno následovně:

HNĚDÁ = L vodič

MODRÁ = N neutrální vodič.

• Minimální vzdálenost mezi opěrnou plochou varných nádob na varném zařízení a nejnižším bodem kuchyňského krytu musí být alespoň **65 cm**.

Vývod odsavače nesmí být napojen na vývod, ve kterém cirkuluje teplý vzduch, nebo který je používán k odvádění kouře ze zařízení napájených jinou energií než elektrickou. Před zahájením montáže vyjměte z odsavače tukový filtr (Obr.5). Upravte si tak manipulaci s přístrojem.

- V případě montáže přístroje ve verzi odsavače je třeba připravit otvor k evakuaci vzduchu.

• Doporučuje se použít trubku pro odvádění vzduchu se stejným průměrem jako hrdlo výstupu vzduchu. Použití redukce by mohlo negativně ovlivnit vlastnosti výrobku a zvýšit hluknost.

### • Upevnění ke zdi

Vývrtat díry **A** podle uvedených kót (Obr.2). Odsavač upevněte ke zdi a vyrovnajte jej do horizontální polohy pomocí závěsů. Po vyrovnání odsavače definitivně upevněte prostřednictvím dvou šroubů **A** (obr.4).

Pro různé montážní podmínky použijte příslušné typy šroubů a hmoždinek, které budou odpovídat typu zdiva (např. armovaný beton, sádkokarton atd.).

Budou-li šrouby a hmoždinky dodány jako součást produktu, ujistěte se, zda odpovídají typu zdiva, na něž má být odsavač namontován.

**• Montáž dekorativních teleskopických spojovacích prvků**  
Elektrický přívod protáhnete pod krytem dekorativního spoje. Má-li být váš přístroj nainstalován ve verzi odsávající nebo v provedení s externě umístěným motorem, proveďte otvor pro odtaž vzduchu. Nastavte šířku úchytné konzoly horního spoje (obr. 3).

Následně ji upevněte ke stropu prostřednictvím šroubů **A** (obr.3) takovým způsobem, aby byla v ose s vaším odsavačem a dodržujte přitom vzdálenost od stropu, vyznačenou obr.2. Propojit prostřednictvím spojovací roury přírubu **C** s otvorem odtahu vzduchu (obr.4). Vsadit horní spojovací prvek do spodního spojovacího prvku. Spodní spojovací prvek ke krytu, používající šrouby **B** ve výbavě (obr. 4), vsunout horní díl až ke třmenu a upevněte jej pomocí šroubů **B** (obr. 3). Budete-li chtít změnit funkci zařízení z odsavače na filtrační verzi, vyžádejte si u vašeho prodejce filtry s aktivním uhlíkem a sledujte montážní pokyny.

### • Filtrační verze

Odsavač a spojovací prvky instalovat tak, jak je uvedeno v bodu, který se týká montáže krytu ve verzi odsavače. Při montáži filtrační vložky se řiďte pokyny obsaženými v balení. Není-li souprava ve výbavě, objednejte ji u svého dodavatele jako příslušenství. Filtry musí být aplikovány na odsávací skoupině umístěné uvnitř krytu v jeho středu a je třeba jimi otáčet o 90 stupňů až do zastavovacího kliknutí (obr. 6).

## POUŽITÍ A ÚDRŽBA

• Doporučujeme uvést zařízení do činnosti ještě před zahájením přípravy jakéhokoliv jídla. Doporučujeme ponechat zařízení v činnosti i po dobu 15 minut po ukončení přípravy jídla, aby byl kompletně odveden zapáchající vzduch. Správná činnost odsavače je podmíněna správnou a nepřetržitou údržbou; zvláštní pozornost je třeba věnovat protitukovému filtru a filtru s aktivním uhlím.

• **Protitukový filtr** má za úkol zachycovat mastné částice nacházející se ve vzduchu, proto je v průběhu proměnné doby vystaven ucpávání; tato doba závisí na používání zařízení.

- Abyste předešli případnému nebezpečí požáru, je nutné nejméně jednou za dva měsíce nutně propláchnout filtry proti mastnotě v ruce pomocí neutrálních neabrasivních čistících prostředků nebo v myčce na nádobí při nízkých teplotách v krátkém mycím programu.

- Po několika mytích může dojít ke změně barvy. Tento jev neopravňuje ke reklamaci po eventuální výměně.

• **Filtry s aktivním uhlíkem** slouží pro pročištění vzduchu, který se vypouští do prostředí a pohlcují nepříjemné zápachy, které vznikají během vaření.

- Aktivní uhlíkové filtry, které nelze regenerovat, je zapotřebí měnit každé 4 měsíce. Saturace aktivního uhlíku závisí více-méně od délky používání přístroje, typu kuchyně a pravidelnosti, se kterou se provádí čištění filtru proti mastnotě.

- Aktivní uhlíkové filtry, které lze regenerovat, je možné mýt v ruce pomocí čistících neutrálních a neabrasivních prostředků, anebo je možné je mýt v myčce na nádobí s maximální teplotou 65°C (cyklus mytí se musí provádět bez nádobí). Odstraňte přebytek vody bez toho, že byste poškodili filtr, odstraňte části z plastů a nechte vysušit podložku v rouře po dobu přibližně 15 minut o teplotě maximálně 100°C. Pro udržování funkčnosti uhlíkového filtru s možností regenerace je zapotřebí zopakovat tuto operaci každé 2 měsíce. Tyto filtry se musí vyměnit jednou za 3 roky anebo když je podložka poškozena.

• **Před opětovným namontováním filtru proti mastnotě a aktivních uhlíkových filtrů, které lze regenerovat, je důležité, aby byli pořádně suché.**

• **Opakovaně čistěte odsavač, zvenčí i zevnitř, s použitím hadru navlhčeného v denaturovaném lihu nebo neabrasivních tekutých čistících prostředcích.**

• Osvětlení je navrženo pro použití během vaření a ne pro dlouhodobější použití za účelem osvětlení okolního prostředí. Dlouhodobější použití osvětlení výrazně snižuje průměrnou



životnost žárovek.

• Pokud je přístroj vybaven osvětlením prostředí, toto může být používáno pro všeobecné dlouhodobé osvětlování daného prostředí.

• **Pozor:** nedodržování pokynů k čištění odsavače a výměny a čištění filtrů zapříčiní rizika požáru. Doporučuje se proto dodržovat tyto pokyny.

#### • Výměna žárovek LED (Obr.7):

Je-li verze výrobku vybavena žárovkami LED pro jejich výměnu je potřebný zásah specializovaného technika.

#### • Výměna halogenových žárovek (Obr.8):

Při výměně halogenových žárovek B sejměte sklíčko C po jeho nadzvednutí v místě příslušných otvorů.

Žárovky nahraďte novými žárovkami stejného druhu.

**Upozornění:** nedotýkejte se žárovky holými rukama.

#### • Výměna výbojkových žárovek/halogenových žárovek (Obr.9):

Používejte pouze žárovky stejného typu a výkonu jako žárovky nainstalované na přístroji.

#### • Povelý Mechanické (Obr.10):

**A** = przycisk OŚWIETLENIE

**B** = przycisk WŁĄCZENIE

**C** = przycisk PIERWSZA PRĘDKOŚĆ

**D** = przycisk DRUGA PRĘDKOŚĆ

**E** = przycisk TRZECIA PRĘDKOŚĆ.

#### • Ovládání světelné následuje přehled symbolů (Obr.11):

**Tlačítko A** = OSVĚTLENÍ

**Tlačítko B** = VYPNUTÍ

**Tlačítko C** = PRVNÍ RYCHLOST

**Tlačítko D** = DRUHÁ RYCHLOST

**Tlačítko E** = TŘETÍ RYCHLOST

**Tlačítko F** = ČASOVÝ SPINAČ AUTOMATICKÉ VYPNUTÍ 15 minut (\*)

Pokud je vaše zařízení již vybaveno funkcí **VYSOKÉ** rychlosti, pak při přepnutí na třetí rychlost a stisku tlačítka **E** po dobu 2 sekund bude na deset minut tato vysoká rychlost aktivována, a potom se zařízení vrátí k provozu na dříve nastavenou rychlost. Když je funkce aktivní, kontrolka LED bliká.

Pro přerušení režimu před uplynutím 10 minut znovu stiskněte tlačítko **E**.

U některých modelů je možno funkci aktivovat také na první a druhé rychlosti.

Po stisknutí tlačítka **F** po dobu 2 s (kryt je vypnut) bude aktivována funkce "clean air". Tato funkce zapne motor na deset minut každou hodinu na první rychlost. Jakmile bude tato funkce aktivována, motor bude uveden do chodu na první rychlost po dobu 10 s, během které budou blikat současně tlačítka **F** a **C**. Po uplynutí této doby se motor vypne a led tlačítka **F** zustane osvětlen až do doby, kdy po 50 minutách bude znovu motor uveden do chodu na první rychlost a led **F** a **C** znovu začnou blikat po 10 minut a tak dále. Stisknutím kteréhokoliv tlačítka, kromě tlačítek osvětlení, se odsavač vrátí ke svému normálnímu fungování (např. stisknutím tlačítka **D** se deaktivuje funkce "clean air" a motor se nastaví na 2<sup>o</sup> rychlost; stisknutím tlačítka **B** se funkce deaktivuje).

(\*) Funkce "ČASOVÝ SPINAČ AUTOMATICKÉ VYPNUTÍ" opožďuje vypnutí odsavače, který bude pokračovat ve funkci pracovní rychlosti, která byla nastavena v okamžiku zapnutí této funkce, 15 minut.

#### • Nasycení protitukových filtrů/filtrů s aktivním uhlím:

-Blikání tlačítka **A** frekvencí 2 sek. poukazuje na potřebu umytí protitukových filtrů.

-Když tlačítko **A** bliká s frekvencí 0,5 sek., filtry s aktivním uhlíkem je třeba umýt nebo vyměnit v závislosti od typu filtru.

Po vložení čistého filtru je třeba vynulovat elektronickou paměť stisknutím tlačítka **A** na dobu přibližně 5 sek., dokud tlačítko nepřestane blikat.

#### • Ovládání (Obr.12):

**Tlačítko A** = Rozsvítí/zhasne světla.

**Tlačítko B** = Zapne/vypne odsavač. Přístroj je uveden do chodu při první rychlosti. Je-li odsavač zapnutý, vypnete jej stisknutím tlačítka na 2 sek. Pokud se odsavač nachází ve fázi první rychlosti, není nezbytné dlouze stisknout tlačítko za účelem vypnutí. Snižuje se rychlost motoru.

**Displej C** = Ukazuje zvolenou rychlost motoru a uvedení do chodu časového spínače.

**Tlačítko D** = Zapne odsavač. Zvyšuje rychlost motoru. Stiskne-li se tlačítko od třetí rychlosti, je nastavena intenzivní funkce na 10 vteřin, pak se přístroj vrátí do fáze pracovní rychlosti v okamžiku uvedení do chodu. Během této funkce displej bliká.

**Tlačítko E** = Časovač slouží k časovému ovládání funkcí v průběhu 15 minut po jeho aktivaci; po uplynutí uvedené doby se tyto funkce vypnou. Vypnutí časovače se provádí stisknutím tlačítka **E**. Aktivace funkce časovače musí být signalizována blikáním desetinné tečky na displeji. Je-li aktivována intenzivní rychlost, aktivace časovače není možná.

Stisknutím tlačítka **E** na 2 sekundy při vypnutém zařízení se aktivuje funkce "clean air". V rámci této funkce se motor zapne každou hodinu na 10 minut a během této doby se bude otáčet první rychlostí. Během jeho činnosti bude na displeji zobrazen rotační pohyb obvodových segmentů. Po uplynutí uvedené doby dojde k vypnutí motoru a na displeji musí být zobrazeno písmeno "C"; aniž by blikalo, dokud nebude po uplynutí dalších 50 minut motor znovu spuštěn na 10 minut, a tak dále. Pro návrat k normálnímu provozu stiskněte jakékoliv tlačítko kromě tlačítek světel. Pro deaktivaci funkce stiskněte tlačítko **E**.

#### • Nasycení protitukových filtrů/filtrů s aktivním uhlím:

-Když displej **C** bliká a střídavě zobrazuje provozní rychlost a písmeno **F** (např.1 a **F**), je třeba vyčistit protitukové filtry.

-Když displej **C** bliká, měnič rychlost provozu s písmenem **A** (např.1 a **A**) znamená to, že uhlíkové filtry je třeba vyměnit nebo vyčistit v závislosti od typu filtru.

Po vložení čistého filtru je třeba vynulovat elektronickou paměť stisknutím tlačítka **A** na dobu přibližně 5 sek., dokud signalizace **F** nebo **A** na displeji **C** nepřestane blikat.

#### • Mechanické ovládání (Obr.13) : symboly jsou uvedeny následovně:

**A**= tlačítko SVĚTLO / ON-OFF

**B**= tlačítko OFF / PRVNÍ RYCHLOST

**C**= tlačítko DRUHÁ RYCHLOST

**D**= tlačítko TŘETÍ RYCHLOST

Dojde-li k vypnutí odsavače par v první, druhé nebo třetí rychlosti, v okamžiku jeho opětovného zapnutí bude pokračovat v provozní rychlosti, která byla nastavena v momentě jeho vypnutí.

#### VÝROBCE ODMÍTÁ JAKOUKOLIV ZODPOVĚDNOST ZA ŠKODY ZPŮSOBENÉ NEDODRŽENÍM UVEDENÝCH UPOZORNĚNÍ.

## GENERELLE OPLYSNINGER

Læs omhyggeligt indholdet af denne brugsanvisning, da den giver vigtige oplysninger vedrørende sikkerheden ved installation, brug og vedligeholdelse. Opbevar brugsanvisningen til senere brug. Apparatet er udarbejdet til at kunne fungere; udsugende (udledning af luft til eksterne omgivelser Fig.1B) filtrerende (intern cirkulation af luft Fig.1A) og med udvendig motor (Fig.1C).

## OPLYSNINGER VEDRØRENDE SIKKERHED

1. Udvis forsigtighed hvis der samtidigt med emhætten er en varmekilde eller flamme i funktion, som er afhængig af luften i omgivelserne og forsynet med energi, der ikke er elektrisk, eftersom emhætten fjerner den luft fra omgivelserne, som flammen eller varmekilden har brug for til forbrænding. Det negative tryk i lokalet må ikke overstige 4 Pa (4x10<sup>-5</sup> bar). For størst mulig sikkerhed, sørg for en passende ventilation af rummet. Hvad angår udsugningen til eksterne omgivelser følg de gældende normer.

### Før modellen tilsluttes el-nettet:

- Kontrollér informationsetiketten (placeret indeni apparatet), for at sikre, at spændingen og styrken er i overensstemmelse med el-nettet og at stikkontakterne er egnede. Hvis De er i tvivl, konsulter en kvalificeret elektriker.
- Hvis forsyningsledningen er beskadiget, skal den udskiftes med en ledning eller en særlig samling fra fabrikanten eller et autoriseret servicecenter.
- Tilslut forsyningsenheden ved hjælp af et stik med en 3A sikring eller til de to tofaseledninger, som er beskyttet af en 3A sikring.

### 2. Pas på!

I nogle situationer kan elektriske apparater udgøre en fare.

- A) Undgå at kontrollere filtrens tilstand mens emhætten er i funktion.
- B) Rør ikke ved pærer eller tilstødende områder under eller lige efter længerevarende brug af belysningsanlægget.
- C) Det er ikke tilladt at tilberede madvarer for åben ild under emhætten.
- D) Undgå åben ild, da det kan beskadige filtrene og medføre fare for brand.
- E) Hold altid øje med maden under friturestegning for at undgå, at olien antændes.
- F) Træk stikket ud af stikkontakten, inden der foretages vedligeholdelse.
- G) Apparatet må ikke bruges af børn eller af personer, der ikke har de mentale eller fysiske egenskaber til korrekt brug, uden overvågning.
- H) Hold øje med børnene for at sikre, at de ikke leger med apparatet.
- I) Når emhætten anvendes samtidigt med apparater, der bruger gas eller andre brændstoffer, skal rummet have tilstrækkelig udluftning.
- L) Hvis rengøring ikke udføres i overensstemmelse med anvisningerne, kan det medføre brandfare.

Dette apparat er udviklet i overensstemmelse med det europæiske direktiv 2002/96/EF om affald af elektrisk og elektronisk udstyr (WEEE). Ved at sikre sig, at dette produkt

bortskaffes på korrekt vis, bidrager brugeren til at forhindre eventuelle negative miljømæssige og sundhedsmæssige påvirkninger.



Symbolen på produktet eller på dokumentationen, der følger med produktet, angiver, at produktet ikke skal behandles som husholdningsaffald, men at det skal

bortskaffes på passende vis på genbrugsstationer til elektriske og elektroniske apparater. Apparatet skal bortskaffes i overensstemmelse med de gældende regler for bortskaffelse af affald. For yderligere oplysninger om håndtering, genvinding og genbrug af dette produkt, bedes man kontakte de lokale myndigheder, teknisk forvaltning eller forretningen, hvor produktet er købt.

## INSTRUKTION VED INSTALLERING

• **Monteringen og udførelsen af de elektriske forbindelser, skal udføres af specialiseret personale.**  
 • **Inden man går frem med monteringen, skal man iføre sig beskyttelseshandsker.**

### • Den elektriske forbindelse:

Apparatet er udarbejdet i klasse II, derfor skal der ikke tilsluttes et kabel til jordforbindelsen. Man skal nemt kunne nå ind til stikket efter installation af apparatet. Hvis apparatet er udstyret med ledning uden stik, skal man ved tilkobling til strømforsyningen sørge for, at der mellem apparatet og strømforsyningen er installeret en flerpolet afbryder med en åbning på minimum 3 mm mellem kontakterne, som passer til belastningen og overholder de gældende regler.

Tilslutning til el-nettet skal udføres som følgende:

BRUN = L Linje

BLÅ = N Neutral.

• Minimums distancen mellem kogeoverfladen, målt fra selve kogepladerne, og den nederste del af emhætten, skal være mindst **65 cm**. Hvis der anvendes et forbindelsesrør bestående af to eller flere dele, skal den øverste del placeres uden på den nederste. Tilslut ikke udledning fra emhætten med et rør, hvori der cirkulerer varm luft eller som anvendes til at udlede røg fra apparater, der ikke bruger elektrisk energi. Inden man begynder monteringen fjernes filtret (Fig.5) for at gøre håndteringen af apparatet lettere.

- I de tilfælde, hvor apparatet skal installeres i en udsugende version, forberedes åbningen til udledning af luft.

• Det anbefales at anvende en luftudsugningslange med samme diameter som luftudgangshullet. Hvis der anvendes en mindre slange, kan det forringe produktets ydelse og medføre øget støj.

### • Fastspænding til væg

Lav hullerne **A**, idet de anviste mål overholdes (Fig.2). Fastspænd apparatet til væggen og ret ind, til det flugter med ophænget. Når apparatet er i vater, spændes emhætten fast ved hjælp af de 2 skruer **A** (Fig.4). Til forskellige typer monteringen anvendes skruer og rawlplugs, der passer til den bestemte type mur (f.eks. jernbeton, gips osv.). Hvis skruer og rawlplugs følger med apparatet, bør man sikre sig, at de egner sig til væggen, hvor emhætten skal spændes fast.

### • Fastspænding af de sammenskydelige pyntepaneller

Indsæt El-tilslutningen i rillen på panelet. Hvis apparatet skal installeres som aftræksemhætte eller med udvendig motor, laves først hul til udsugning af luften. Regulér bredden på det øverste panels ophæng (Fig.3).

Spænd herefter ophængt fast til loftet med skruerne **A** (Fig.3), så det er i vinkel med emhætten, idet den anviste afstand til loftet i Fig.2 overholdes. Forbind flangen **C** til udsugningshul-let ved hjælp af et tilslutningsrør (Fig.4).

Indsæt det øverste panel i det nederste. Fastspænd det nederste panel til emhætten med de medfølgende skruer **B** (Fig.4), træk det øverste panel ud til ophængt og spænd det fast med skruerne **B** (Fig.3). Skal emhætten laves om fra aftræk til filtrering, anskaffes kulfiltere hos forhandleren, hvorefter monteringsvejledningen følges.

#### • Filtrering

Installér emhætten og de to paneler som vist i kapitlet om montering af aftræksemhætte. Ved montering af filtret følges de instruktioner, som følger med sættet. Hvis sættet ikke følger med apparatet, kan det bestilles som tilbehør hos forhandleren. Filtrene skal anbringes i indsugningsgruppen, der sidder indvendigt i hætten, og når disse befinder sig centralt i gruppen drejes de 90 grader indtil fastlåsning. (Fig.6).

### BRUG OG VEDLIGEHOLDELSE

• Det anbefales, at apparatet sættes i funktion, inden man begynder tilberedningen af madvarer. Det anbefales, at lade emhætten køre i 15 minutter efter endt tilberedning, så al mados suges ud.

Korrekt funktion af emhætten afhænger af en korrekt og jævnlig vedligeholdelse. Man skal især være opmærksom med at udskifte fedtfilteret og det aktive kulfilter.

• **Fedtfilteret** har til opgave at tilbageholde de fedtpartikler, der findes i luften. Filteret vil derfor blive tilstoppet med tiden, alt efter hvor ofte emhætten anvendes.

- For at forebygge faren for eventuelle brande skal fedtfilteret mindst hver 2. måned vaskes i hånden med flydende neutrale ikke slibende rengøringsmidler eller i opvaskema-skine ved lav temperatur og kort program.

- Efter nogle vaske kan der forekomme farveændringer. Dette giver ikke ret til at kræve udskiftning af filtrene.

• **De aktive kulfiltere** renses luften, der genudledes i om-givelserne, og tjener til at dæmpe ubehagelige lugte, som dannes ved madtilberedning.

- De ikke-regenererende aktive kulfiltere skal udskiftes mindst hver 4. måned. Mætningen af det aktive kul afhænger af den mere eller mindre længerevarende brug af emhætten, af hvilken slags mad der tilberedes og af regelmæssigheden af rengøringen af fedtfilteret.

- De regenererende aktive kulfiltere skal vaskes i hånden med flydende neutrale ikke slibende rengøringsmidler eller i opvaskemaskine ved højest 65°C (vaskecyklussen skal være komplet uden anden opvask i maskinen). Fjern overskyden-de vand uden at ødelægge filtret, fjern plastikdelene og rør filtermatten i ovnen i mindst 15 minutter ved en temperatur på højest 100°C. For at opretholde det regenererende aktive kulfilters effektive funktion skal denne operation foretages hver 2. måned. Filtrene skal udskiftes mindst hvert 3. år, eller når filtermatten er beskadiget.

• **Det er vigtigt, at fedtfilterne og de regenererende aktive kulfiltere er helt tørre, inden de genmonteres.**

• **Emhætten skal rengøres jævnligt, både indvendigt og udvendigt, med en klud opvædet i denatureret alkohol eller et neutralt, ikke slibende rengøringsmiddel.**

• Lyset er beregnet til brug under tilberedning af mad og ikke til generel oplysning af lokalet. Længerevarende brug af lyset vil reducere lyspærrernes gennemsnitlige levetid betydeligt.

• Hvis apparatet er forsynet med **rumoplysning**, kan dette anvendes til længerevarende generel oplysning af lokalet.

• **Pas på:** manglende udførsel af udskiftning og rengøring af filtrene medfører brandfare. Det anbefales derfor at overholde

de foreslåede instruktioner.

#### • Udskiftning af LED lamperne (Fig.7):

Hvis apparatets version er udstyret med LED lamper, skal disse udskiftes af en specialiseret tekniker.

#### • Udskiftning af halogenpærer (Fig.8):

For at udskifte halogenpærerne **B** skal man fjerne glasset **C** ved at trykke på rillerne.

Udskift pærerne med pærer af samme type.

**Vær opmærksom:** rør ikke ved pæren med bare hænder.

#### • Udskiftning af glødepærer/halogenpærer (Fig.9):

Der må kun anvendes pærer af samme type og med samme watt-tal som dem, der er installeret på apparatet.

• **Betjening-senhed (Fig.10) mekaniske** er følgende tegnfor-klaring gældende:

**A** = tast for BELYSNING

**B** = tast for OFF

**C** = tast for FØRSTE HASTIGHED

**D** = tast for ANDEN HASTIGHED

**E** = tast for TREDJE HASTIGHED.

• **Betjening-senhed lysende (Fig.11)** er følgende tegnfor-klaring gældende:

**A** = tast for BELYSNING

**B** = tast for OFF

**C** = tast for FØRSTE HASTIGHED

**D** = tast for ANDEN HASTIGHED

**E** = tast for TREDJE HASTIGHED

**F** = tast for TIMER AUTOMATISK STOP 15 minutter (\*)

Hvis Deres apparat har funktionen **INTENSIV** hastighed, slås denne til i 10 minutter, hvorefter den slår tilbage på den tidligere indstillede hastighed, ved fra TREDJE hastighed at holde tasten **E** inde i cirka 2 sekunder.

LED-lyset blinker, når funktionen er slået til.

Tryk på tasten **E** igen for at afbryde funktionen inden de 10 minutter er gået.

På nogle modeller er det også muligt at aktivere funktionen ved første og anden hastighed.

Ved at trykke på knappen **F** i 2 sekunder (ved slukket emhætte) aktiveres funktionen "**clean air**". Denne funktion tænder motoren i 10 minutter pr. time ved laveste hastighed. Så snart funktionen er igangsat starter motoren ved første hastighed i 10 minutter, og under dette forløb skal lamperne ved knap **F** og knap **C** blinke samtidigt. Når tiden er gået standser motoren og kontrollampen ved knap **F** forbliver tændt uden at blinke indtil der er gået endnu 50 minutter, hvor motoren igen starter ved første hastighed, og lamperne ved **F** og **C** igen begynder at blinke samtidigt i 10 minutter, og så fremdeles. Ved at trykke hvilken som helst tast, undtagen lysene, vil emhætten gå tilbage til standard funktion (f. eks. ved at trykke på tast **D** deaktiveres funktion "**clean air**" og motoren indstilles på 2<sup>o</sup> hastighed; ved at trykke på tast **B** deaktiveres denne funktion).

(\*) Funktionen "**TIMER AUTOMATISK STOP**" forsinket standsning af hætten, som vil fortsætte med at være tændt (i 15 minutter) med den driftshastighed, der var i kraft i det øjeblik funktionen blev tilsluttet.

#### • Mætning af fedtfiltere/aktive kulfiltere:

-Når tasten **A** blinker med **2 sek.** mellemrum, skal fedtfilterne rengøres.

-Når tasten **A** blinker med **0,5 sek.** mellemrum, skal de aktive

kulfiltre vaskes eller udskiftes afhængigt af filtertypen. Når filteret er sat på plads igen, skal den elektroniske hukommelse nulstilles ved at holde tasten **A** nede i ca. **5 sek.** indtil den stopper med at blinke.

#### • Betjening-senhed (Fig.12):

**Tast A** = Tænder/slukker lysene.

**Tast B** = Tænder/slukker emhætten. Apparaten tændes på 1. hastighed. Hvis emhætten er tændt skal man trykke på tasten i 2 sek. for at slukke. Hvis emhætten er indstillet på 1. hastighed er det ikke nødvendigt at holde tasten trykket for at slukke. Sænker motorhastigheden.

**Display C** = Viser den valgte motorhastighed og aktivering af timer'en.

**Tast D** = Tænder emhætten. Øger motorhastigheden. Ved tryk på tasten fra 3. hastighed tændes den intensive funktion i 10 minutter, hvorefter apparatet vender tilbage til at fungere med den almindelige hastighed, der var indstillet det øjeblik, hvor den intensive funktion blev tændt. Under denne funktion blinker displayet.

**Tast E** = Når timeren aktiveres, indstiller den funktionerne til at fortsætte i 15 minutter, hvorefter de slukkes. Timeren slås fra ved at trykke på tasten **E**. Når funktionen Timer er tændt, blinker decimaltallet på displayet. Hvis funktionen til indstilling af hastighed er aktiveret, fungerer funktionen Timer ikke.

Hvis tasten **E** trykkes ned i 2 sekunder, når emhætten er slukket, aktiveres funktionen "clean air". Denne funktion tænder motoren i 10 minutter for hver time på første hastighedstrin. Når funktionen er aktiveret, viser displayet en drejende bevægelse af de omgivende segmenter. Når tiden er gået, slukker motoren igen, og på displayet vises bogstavet "C", indtil motoren igen efter 50 minutter aktiveres i 10 minutter og så videre. For at vende tilbage til normal funktion trykkes på en hvilken som helst knap bortset fra lysknappen. Funktionen deaktiveres ved at trykke på tasten **E**.

#### • Mætning af fedtfiltre/aktive kulfiltre:

-Når displayet **C** blinker, og ændrer blæserhastigheden, med bogstavet **F** (f.eks.1 og **F**), skal fedtfiltrene rengøres.

-Når displayet **C** blinker og veksler mellem blæserhastigheden og bogstavet **A** (f.eks.1 og **A**), skal de aktive kulfiltre vaskes eller udskiftes afhængigt af filtertypen.

Når filteret er sat på plads igen, skal den elektroniske hukommelse nulstilles ved at holde tasten **A** nede i ca. **5 sek.** indtil bogstaverne **F** eller **A** stopper med at blinke på displayet **C**.

• **Manuelle betjeningstaster (Fig.13)** : herunder gengives symbolerne:

**A** = LYS-tast/ ON-OFF

**B** = OFF-tast/ FØRSTE HASTIGHED

**C** = tast for ANDEN HASTIGHED

**D** = tast for TREDJE HASTIGHED

Hvis emhætten slukkes, mens den står på første, anden eller tredje hastighed, vil den starte på samme hastighed, som da den blev slukket, når den tændes igen.

**FABRIKANTEN FRALÆGGER SIG ETHVERT ANSVAR FOR SKADER FORÅRSAGET AF MANGLENDE OVERHOLDELSE AF OVENSTÅENDE ADVARSLER.**

## YLEISTÄ

Lue ohjekirja huolellisesti, sillä se sisältää tärkeätä tietoa laitteen turvallisesta asennuksesta, käytöstä ja huollosta. Säilytä ohjekirja tulevaa tarvetta varten. Laitte on suunniteltu toimimaan joko imevänä versiona (ilman poisto ulos - Kuva 1B), suodattavana versiona (ilman kierrätys sisällä - Kuva 1A) tai ulkoisella moottorilla toimivana versiona (Kuva 1C).

## TURVAOHJEITA

1. Erityistä huomiota tulee kiinnittää siihen, ettei liesituuletin ole käytössä samanaikaisesti kuin tulipesä tai liesi, jotka ovat riippuvaisia huoneilmasta ja jotka käyttävät jotain muuta energianlähdettä kuin sähköä.

Liesituuletin poistaa huoneilasta ilmaa, jota tulipesä tai liesi tarvitsevat polttamiseen. Huoneilman negatiivinen ilmanpaine ei saa ylittää 4Pa (4x10<sup>-5</sup> bar). Huoneilmat on siis tuuletettava asianmukaisesti tuulettimen toiminnan varmistamiseksi. Ulkoista poistoa koskien tulee noudattaa asianomaisessa maassa voimassaolevia määräyksiä.

#### Ennen kuin yhdistät mallin säköverkkoon:

- Huomioi sen tunnuskilvessä (löytyy laitteen sisäpuolelta) olevat tiedot tarkistaen että virran jännite ja voima vastaavat verkostoa, ja että pistorasia on sopiva. Jos olet epävarma ota yhteys pätevään sähkömieheen.

- Jos liitäntäjohto on vahingoittunut, se on vaihdettava laitteen valmistajan tai tämän teknisen huoltohenkilöstön toimesta uuteen liitosjohtoon tai sitä vastaavaan.

- Liitä laite sähkönsyöttöön pistokkeella, jossa on sulake (3 A), tai kaksivaiheisen järjestelmän kahteen johtoon, jotka on suojattu sulakkeella (3 A).

#### 2. Varoitus!

**Tietyissä tilanteissa sähkölaitteet voivat aikaansaada vaaratilanteen.**

**A) Älä tarkista suodattimien tilaa, kun liesituuletin on toiminnassa.**

**B) Älä kosketa lamppuihin tai niiden lähialueille valaistuslaitteiston käytön aikana tai välittömästi sen käytön jälkeen.**

**C) On kielletty liekittämästä ruokia liesituulettimen alla**

**D) Vältä avotulta, koska ne vahingoittavat suodattimia ja voivat aiheuttaa tulipaloja.**

**E) Tarkkaile jatkuvasti öljyssä paistettavia ruokia, jotta kiehuva öljy ei syty tuleen.**

**F) Irrota pistoke pistorasiasta ennen huollon suorittamista.**

**G) Laitetta ei ole suunniteltu lasten tai vajaakykyisten käytettäväksi ilman valvontaa.**

**H) Valvo lapsia, jotta he eivät leiki laitteen kanssa.**

**I) Kun liesituuletinta käytetään samanaikaisesti laitteiden kanssa, jotka polttavat kaasua tai muita polttoaineita, huolehdi tilojen riittävästä ilmanvaihdosta.**

**L) Jos puhdistustoimenpiteitä ei suoriteta ohjeiden mukaisesti, on olemassa tulipalovaara.**

Tämä laite on merkitty EU:n Waste Electrical and Electronic Equipment (WEEE) -direktiivin 2002/96/EC mukaisesti. Käyttäjää osallistuu mahdollisten terveydelle ja ympäristölle haitallisten seurausten ehkäisemiseen hävittäessään laitteen asianmukaisella tavalla.



Laitteen pakkauksessa mukana oleviin asiakirjoihin merkitty -merkki osoittaa ettei kyseinen laite kuulu talousjätteisiin, vaan se on varta vasten toimitettava sähkö- ja elektroniikkalaiteromun keräyspisteeseen kierrätystä varten.

Hävitä laite noudattamalla paikkakuntasi jätehuoltoa koskevia säädöksiä. Lisätietoja tämän laitteen keräyksestä, käsittelystä ja kierrätyksestä ota yhteys paikkakuntasi jätehuoltoon, talousjätteiden keräyspisteeseen tai liikkeeseen josta laite on hankittu.

## ASENNUSOHJEET

• **Asennus ja sähköliitäntä on suoritettava siihen pätevän erikoishenkilöstön toimesta.**

• **Käytä suojakäsineitä ennen kuin aloitat asennustoimenpiteiden suorittamisen.**

• **Sähköinen liitäntä:**

Laitte on rakennettu II-luokassa, eivätkä kaapelit sen vuoksi saa olla liitettynä maajohtoon. Pistoke tulee olla helposti saavutettavissa laitteen asennuksen jälkeen. Mikäli laite on varustettu johdolla ilman pistoketta, sen liittämiseksi sähköverkkoon tulee laitteen ja verkon väliin asentaa moninapainen virrankatkaisija, jossa kontaktien minimiväli on 3 mm ja joka on mitoitettu kuormituksen mukaan ja joka on voimassa olevien määräysten mukainen.

Liitännät sähköverkkoon on tehtävä seuraavalla tavalla:

RUSKEA = L linja

SININEN = N neutraali.

• Keittopinnan kattilankannattimien ja hellakuvun mini-mietäisyyden on oltava vähintään **65 cm**. Mikäli joudutaan käyttämään kaksi- tai useampiosaista liitosputkea, on ylempään osan oltava alemman ulkopuolella. Poistoilmaa ei saa johtaa kuumailmahormiin tai hormiin, jota käytetään savun poistamiseen laitteista, jotka toimivat jollakin muulla energianlähteellä kuin sähköllä. Ennen kuin alat koota laitetta, irrota rasvasuodatin/-suodattimet (Kuva 5) näin laitetta on helpompi käsitellä.

- Jos asennetaan imevä hellakupu on ensin tehtävä ilmanpoistoaukko.

• Suositellaan käyttämään ilmanpoistoputkea, jonka halkaisija vastaa ilman ulostuloaukon mittoja. Pienentävien sovituskappaleiden käyttö voi alentaa tuotteen toimintatulosta ja lisätä meluisuutta.

• **Kiinnittäminen seinään**

Poraa reiät **A** ilmoitettuja mittoja noudattaen (kuva 2). Kiinnitä laite seinään ja aseta se vaakatasossa samaan linjaan kaappien kanssa.

Säädettyäsi kuvun oikeaan asentoon kiinnitä se paikalleen kahdella ruuvilla **A** (kuva4). Käytä asennukseen sellaisia laajenevia ruuveja ja tappeja, jotka sopivat seinän tyyppiin (esimerkiksi teräsbetoni, kipsilevy tms.).

Mikäli ruuvit ja tapit on toimitettu tuotteen mukana, varmista että ne soveltuvat siihen seinätyyppiin, johon kupu on tarkoitettu kiinnittämään.

• **Koristeteleskooppiiliitinten kiinnittäminen**

Varmista sähkövirran syöttö koristeliitinten tilaan. Jos laitteesi asennetaan imevänä tai ulkoista moottoria käyttävänä versiona, huolehdi, että sillä on ilmanpoistoaukko.

Säädä ylempään liitinten kannattimen leveys sopivaksi (kuva 3). Kiinnitä se tämän jälkeen ruuveja **A** (kuva 3) käyttämällä kattoon niin, että se on tuuletetun kanssa linjassa. Noudata kuvassa 2 osoitettua etäisyyttä katosta.

Liitä liitosputken välityksellä laippa **C** ilmanpoistoaukkoon (kuva 4).

Työnnä ylempi liitin alemman liitteen sisään. Kiinnitä alempi liitin kupuun käyttämällä laitteen mukana toimitettuja ruuveja **B** (kuva 4), vedä ylempää liitintä ulos kannattimeen asti ja kiinnitä se ruuveilla **B** (kuva 3). Muuntaaksesi kuvun imevästä mallista suodattavaksi malliksi pyydä jälleenmyyjältämme aktiivihiihsuodattimia ja seuraa asennusohjeita.

• **Suodattava malli**

Asenna kupu ja kaksi liitintä, niin kuin imevän mallin asennusta koskevassa kappaleessa on esitetty. Ohjeet suodattavan liitinten asennusta varten löytyvät tarvikepakkauksesta.

Ellei tarvikepakkaus sisälly laitepakettiin, tilaa se jälleenmyyjältäsi lisälaitteena. Suodattimet asennetaan tuuletin sisäpuolella olevaan imuryhmään kiertäen niitä 90 astetta kunnes pidike naksahtaa. (kuva 6)

## KÄYTTÖ JA HUOLTO

• Suositellaan kiinnittämään laite ennen minkä tahansa ruuan kypsennyksen aloittamista.

On suositeltavaa antaa laitteen toimia vielä 15 minuuttia käytön jälkeen, jotta ruoanvalmistuksesta aiheutuneet käryt saadaan kokonaan pois huonetilasta. Liesituuletin hyvä toiminta riippuu oikeasta ja säännöllisestä huollosta; erityistä huomiota tulee kiinnittää rasvasuodattimeen ja aktiivihiihsuodattimeen.

• **Rasvasuodattimen** tehtävänä on pidättää ilmassa leijuvat rasvahiukkaset ja siksi se on altis tukkeutumaan ajanjaksossa, jonka pituus vaihtelee laitteen käytön mukaan.

- Tulipalovaaran ennaltaehkäisemiseksi, pese rasvasuodattimet käsin vähintään 2 kuukauden välein neutraaleja ja hankaamattomia pesuaineita käyttämällä tai astianpesukoneessa alhaisessa lämpötilassa ja lyhyellä pesuohjelmalla.

- Muutamien pesukertojen jälkeen voi syntyä värinmuutoksia. Tämä ei oikeuta valituksen kautta osien mahdolliseen vaihtoon.

• **Aktiivihiihsuodattimia** käytetään ilman puhdistamiseen, joka palautetaan huoneeseen ja jonka tehtävänä on vähentää ruoanvalmistuksen aikana syntyviä epämiellyttäviä hajuja.

- Ei regeneroituvat aktiivihiihsuodattimet tulee vaihtaa korkeintaan 4 kuukauden välein. Aktiivihiihiin kyllästyminen riippuu laitteen käyttöajasta, ruoanvalmistustavasta ja rasvasuodattimen puhdistustiheydestä.

- Aktiivihiihsuodattimet tulee pestä käsin, neutraaleja ja hankaamattomia pesuaineita käyttämällä tai astianpesukoneessa korkeintaan 65°C lämpötilassa (pesujakso tulee suorittaa kokonaan ilman astioita).

Poista ylimääräinen vesi vahingoittamatta suodatinta, irrota muoviosat, anna pehmusteen kuivua uunissa vähintään 15 minuutin ajan korkeintaan 100°C lämpötilassa. Säilyttääksesi regeneroitavan hiihsuodattimen toiminnan tehokkaana, suorita tämä toimenpide 2 kuukauden välein. Ne tulee vaihtaa korkeintaan 3 vuoden välein tai kun pehmuste vahingoittuu.

• **Ennen rasvasuodattimien ja regeneroitavien aktiivihiihsuodattimien asentamista on tärkeää, että ne ovat kuivuneet kunnolla.**

• **Puhdista liesituuletin säännöllisesti sekä sisältä että ulkoa käyttäen riippua, joka on kostutettu denaturoidulla alkoholilla tai nestemäisillä neutraaleilla ei-hankaavilla pesuaineilla.**

• Valaistuslaitteisto on suunniteltu käytettäväksi ruokien kypsennyksen aikana eikä pitkäaikaiseen ympäristön yleiseen valaisuun.

Valaistuksen pitkäaikainen käyttö vähentää huomattavasti lamppujen keskimääräistä käyttöaikaa.

• Jos laite on varustettu hajavalolla, sitä voidaan käyttää pitkäaikaiseen ympäristön yleiseen valaisuun.

• **Varoitus:** liesituulettimen puhdistukseen ja vaihtoon sekä suodattimien puhdistukseen kuuluvien ohjeiden noudattamista jättäminen aiheuttaa tulipalovaaran. Näin ollen suositellaan annettujen ohjeiden noudattamista.

#### • LED-valojen vaihtaminen (Kuva 7):

Jos malli on varustettu LED-valoilla, toimenpiteen saa suorittaa ammattitaitoinen tekniikko.

#### • Halogeenilamppujen vaihtaminen (Kuva 8):

Halogeenilamppujen **B** vaihtamiseksi ota pois lasi **C** käyttäen viputukena asianmukaisia aukkoja.

Vaihda tilalle vastaavan tyyppiset lamput.

**Varoitus:** älä koske lamppuun paljain käsin.

#### • Hehkulamppujen/halogeenilamppujen vaihtaminen (Kuva 9):

Käytä vain laitteeseen asennettujen kaltaisia ja wattiluvultaan samoja lamppeja.

#### • Ohjaimet (Kuva 10) mekaaniset:

**A** = Valaistuksen painike

**B** = OFF

**C** = ensimmäisen nopeuden painike

**D** = toisen nopeuden painike

**E** = kolmannen nopeuden painike.

#### • Ohjaimet valolla varustetut (Kuva 11):

**A** = Valaistuksen painike

**B** = OFF

**C** = Ensimmäisen nopeuden painike

**D** = Toisen nopeuden painike

**E** = Kolmannen nopeuden painike

**F** = Automaattiajastin (15 min.) (\*)

Jos laitteeseesi kuuluu **INTENSIIVINEN** nopeus, KOLMANNES-  
TA nopeudesta lähtien pitämällä näppäintä **E** painettuna noin 2 sekunnin ajan se aktivoituu 10 minuutiksi, jonka jälkeen se palaa edellä asetettuun nopeuteen. Kun toiminto on päällä, LED-valo vilkkuu.

Jos se halutaan keskeyttää ennen kuin 10 minuuttia on kulu-  
nut umpeen, paina näppäintä **E** uudelleen.

Joissakin malleissa toiminto voidaan aktivoida myös ensim-  
mäisellä ja toisella nopeudella.

Jos painallat näppäintä **F** n.2 sek. (tuulettimen ollessa pois  
päältä), käynnistät toiminnon "**clean air**". "**Clean air**" käynnistää  
tuulettimen kymmeneksi minuutiksi tunnin väliajoin alimmal-  
la kierrosnopeudella. Jos valitset tämän toimintamuodon laite  
käynnistyy kymmeneksi minuutiksi joiden aikana välkehtivät  
näppäinten **F** ja **C**. n valomerkit. Kymmenen minuutin jakson  
päätyttyä moottori pysähtyy ja vain näppäimen **F** valomerkki  
jää päälle kunnes 50.nen minuutin kuluttua moottori käynnis-  
tyy uudelleen ja näppäimien **F** ja **C** valomerkit välkehtivät jne.  
Minkä tahansa näppäimen painaminen valonäppäintä lukuun  
ottamatta palauttaa liesituulettimen normaalitoimintaan  
(esim. jos painan näppäintä **D** "**clean air**"-toiminto kytkeytyy  
pois ja moottori asetettu 2-nopeudelle; painamalla näppäintä  
**B** toiminto kytkeytyy pois).

(\*) "**AUTOMAATTIAJASTIN**" pysäyttää liesituulettimen 15  
min. viiveellä. Tuuletin jatkaa toimintaansa lähtönopeudellaan  
15 min ajan painikkeen painamisen jälkeen.

#### • Rasva-/aktiivihiihisuodattimien täyttyminen:

-Kun näppäin **A** vilkkuu **2 sekunnin** välein, rasvasuodattimet  
tulee pestä.

-Kun näppäin **A** vilkkuu **0,5 sekunnin** välein, aktiivihiihisuo-  
dattimet tulee pestä tai vaihtaa suodatintyyppiin perusteella.  
Kun puhdas suodatin on liitetty, tulee elektroninen muisti  
nollata painaen painiketta **A** noin **5 sekunnin** ajan, kunnes  
se lakkaa vilkkumasta.

#### • Ohjaimet (Kuva 12):

**Näppäin A** = Sytyttää/sammuttaa valot.

**Näppäin B** = Säynnistää/sammuttaa kuvun. Laite käynnistyy  
ensimmäiselle nopeudelle.

Jos liesikupu on päällä paina näppäintä 2 sek. ajan ja sen  
toiminta lakkaa. Jos laite toimii ykkösnopeudella, näppäintä ei  
tarvitse pitää alas painettuna laitetta sammuttaessa. Laskee  
moottorin nopeutta.

**Näyttö C** = Ilmoittaa valitun moottorin nopeuden ja ajastimen  
aktiivoinnin.

**Näppäin D** = Käynnistää kuvun. Nostaa moottorin nopeutta.  
Painamalla näppäintä kolmannella nopeudella laite toimii  
täydellä teholla 10 sekunnin ajan, sen jälkeen laite alkaa  
toimia aktivoitulla nopeudella. Tämän toiminnon ajan näytön  
valo vilkkuu.

**Näppäin E** = Ajastin ajastaa toiminnot käynnistämishetkellä  
15 minuutin ajaksi. Sen jälkeen toiminnot sammuvat. Ajastin  
lakkaa toimimasta kun painat uudelleen näppäintä **E**. Kun  
ajastintoiminto on päällä desimaalipisteen on välkyttävä  
näytöllä. Jos tehonopeustoiminto on päällä ajastinta ei voida  
käynnistää.

Painamalla näppäintä **E** 2 sekunnin ajan, laitteen ollessa  
sammuksissa, "**clean air**"-toiminto käynnistyy. Tämä toi-  
minto käynnistää moottorin joka tunti, 10 minuutin ajaksi  
ykkösnopeudella. Toiminnan aikana näytön reunoilla tulee  
näkyä pyörivä liike. Tämän ajan kuluttua moottori sammuu ja  
näytöllä tulee näkyä "**C**"-kirjain seuraavien 50 minuutin ajan  
kunnes moottori taas käynnistyy seuraaviksi 10 minuutiksi ja  
niin edelleen. Normaali-toimintaan palaamiseksi paina mitä  
tahansa näppäintä valonäppäintä lukuun ottamatta. Kytke  
toiminto pois päältä painamalla **E**-näppäintä.

#### • Rasva-/aktiivihiihisuodattimien täyttyminen:

-Kun näyttö **C** vilkkuu ja siihen tulevat näkyviin vuorotellen  
toimintanopeus ja kirjain **F** (esim. 1 ja **F**), rasvasuodattimet  
tulee pestä.

-Kun näytöllä **C** vilkkuu vuorotellen käyttönopeus ja kirjain **A**  
(esim. 1 ja **A**) aktiivihiihisuodattimet on vaihdettava tai pestävä  
suodatintyyppiin mukaan.

Kun puhdas suodatin on liitetty, tulee elektroninen muisti  
nollata painaen painiketta **A** noin **5 sekunnin** ajan, kunnes  
näytön **C** ilmoitus **F** tai **A** lakkaa vilkkumasta.

#### • Mekaaniset ohjaukset (Kuva 13):

Symbolit on annettu seuraavassa:  
**A**= VALO ON/OFF  
**B**= ENSIMMÄINEN NOPEUS ON/OFF  
**C**= TOINEN NOPEUS  
**D**= KOLMAS NOPEUS

Jos liesituuletin sammutetaan ensimmäisessä, toisessa tai  
kolmannessa nopeudessa, kun se käynnistetään uudelleen,  
se käynnistyy samalla nopeudella jolla se sammutettiin.

**LAITTEEN VALMISTAJA EI OLE VASTUUSSA VAHINGOISTA,  
JOTKA OVAT AIHEUTUNEET YLLÄMAINITTUJEN OHJEIDEN  
LAIMINLYÖNNISTÄ.**



## ΓΕΝΙΚΑ

Διαβάστε προσεκτικά το περιεχόμενο των οδηγιών, διότι παρέχει σημαντικές υποδείξεις που αφορούν την ασφάλεια της εγκατάστασης της χρήσης και της συντήρησης. Φυλάξτε το φυλλάδιο για ενδεχόμενες συμβουλές. Η συσκευή σχεδιάστηκε για χρήση σε έκδοση απορρόφησης (εκκένωση αέρα προς το εξωτερικό Εικ. 1B), διήθησης (ανακύκλωση αέρα στο εσωτερικό Εικ. 1A) ή με εξωτερικό κινητήρα (Εικ. 1C).

## ΥΠΟΔΕΙΞΕΙΣ ΑΣΦΑΛΕΙΑΣ

1. Προσοχή σε περίπτωση που λειτουργούν ταυτόχρονα απορροφητήρας απορρόφησης και καυστήρας ή μια εστία που εξαρτώνται από τον αέρα του περιβάλλοντος και τροφοδοτούνται από ενέργεια όχι ηλεκτρική διότι ο απορροφητήρας απορροφώντας αφαιρεί από το περιβάλλον τον αέρα που έχουν ανάγκη για την καύση ο καυστήρας ή η εστία. Η αρνητική πίεση στο χώρο δεν πρέπει να ξεπερνά τα 4PA (4x10-5bar). Για σίγουρη ασφαλές λειτουργία του απορροφητήρα, οφείλεται να υπάρχει κατάλληλος αερισμός στο χώρο. Για την εξωτερική εκκένωση ακολουθήστε τις ισχύοντες προδιαγραφές της χώρας.

**Πριν συνδέσετε το μοντέλο στο ηλεκτρικό δίκτυο:**

- Ελέγξτε την πινακίδα στοιχείων (που βρίσκεται στο εσωτερικό της συσκευής) για να βεβαιωθείτε ότι η τάση και η ισχύς της συσκευής αντιστοιχούν στο ηλεκτρικό σας δίκτυο καθώς και για την καταλληλότητα του ηλεκτρικού βύσματος. Σε περίπτωση δυσκολιών επικοινωνήστε με έναν ειδικευμένο ηλεκτρολόγο.  
- Αν το καλώδιο τροφοδοσίας είναι χαλασμένο, πρέπει να αντικατασταθεί από ένα καλώδιο ή ένα ειδικό σύστημα, διαθέσιμο από τον κατασκευαστή ή την υπηρεσία του τεχνικής υποστήριξης.  
- Συνδέστε τη διάταξη στην τροφοδοσία μέσω ενός βύσματος με ασφάλεια 3A ή στα δύο καλώδια του διφασικού προστατευόμενα από μια ασφάλεια 3A.

**2. ΠΡΟΣΟΧΗ!**

**Σε ορισμένες περιπτώσεις οι ηλεκτρικές συσκευές μπορεί να αποτελούν κίνδυνο.**

- A) Μην ελέγχετε την κατάσταση των φίλτρων όσο ο απορροφητήρας είναι σε λειτουργία.
- B) Μην αγγίζετε τις λυχνίες ή τις γειτονικές περιοχές κατά ή αμέσως μετά την παρατεταμένη χρήση της εγκατάστασης φωτισμού
- C) Απαγορεύεται να μαγειρεύετε τρόφιμα σε φλόγα κάτω από τον απορροφητήρα.
- D) Αποφεύγετε ελεύθερες φλόγες διότι προκαλούν ζημιά στα φίλτρα και μπορούν να προκαλέσουν πυρκαγιάς.
- E) Να διατηρείτε συνεχώς υπό έλεγχο το τηγάνισμα των τροφίμων για να μη πάρει φωτιά το καυτό λάδι.
- F) Αποσυνδέστε το βύσμα από την ηλεκτρική πρίζα πριν προχωρήσετε στη συντήρηση.
- G) Η συσκευή δεν προορίζεται για να χρησιμοποιείται από παιδιά ή άτομα ανίκανα χωρίς επιτήρηση.
- H) Να επιτηρείτε τα παιδιά για να είστε βέβαιοι ότι δεν παίζουν με τη συσκευή.
- I) Όταν ο απορροφητήρας χρησιμοποιείται ταυτόχρονα με συσκευές που καίνε αέριο ή άλλα καύσιμα, ο χώρος πρέπει να αερίζεται δυνάμως.
- L) Αν οι εργασίες καθαρισμού δεν εκτελούνται σύμφωνα με τις οδηγίες, υπάρχει κίνδυνος να προκληθεί πυρκαγιά.

Η συσκευή αυτή είναι χαρακτηρισμένη σύμφωνα με την Ευρωπαϊκή Οδηγία 2002/96/EC, Waste Electrical and Electronic Equipment (WEEE). Ο χρήστης με το να διαθέτει το προϊόν αυτό ως απόρριμμα με τον ενδεδειγμένο τρόπο συμβάλλει στην αποφυγή αρνητικών συνεπειών για το περιβάλλον και

την υγεία.



Το σύμβολο στο προϊόν ή στην τεκμηρίωση που το συνοδεύει δείχνει ότι το προϊόν αυτό δεν πρέπει να αντιμετωπίζεται ως απόρριμμα οικιακό αλλά πρέπει να παραδίδεται σε κατάλληλα σημεία συλλογής για την ανακύκλωση ηλεκτρικών και ηλεκτρονικών συσκευών. Διαθέστε το ως απόρριμμα τήρυντας τους κατά τόπους κανονισμούς για τη διάθεση των απορριμμάτων. Για περαιτέρω πληροφορίες για τη μεταγείωση, την ανάκτηση ή την ανακύκλωση του προϊόντος αυτού, επικοινωνήστε με το αρμόδιο τοπικό γραφείο, την υπηρεσία συλλογής οικιακών απορριμμάτων ή το κατάστημα από το οποίο αγοράσατε το προϊόν αυτό.

## ΟΔΗΓΙΕΣ ΕΓΚΑΤΑΣΤΑΣΗΣ

• Οι διαδικασίες τοποθέτησης και ηλεκτρικής σύνδεσης πρέπει να γίνονται από ειδικευμένο προσωπικό.

• Χρησιμοποιήστε προστατευτικά γάντια πριν προχωρήσετε στις εργασίες συναρμολόγησης

**• Ηλεκτρική σύνδεση:**

Η συσκευή ανήκει στο τύπο II, που σημαίνει πως κανένα καλώδιο δεν πρέπει να συνδεθεί με την γείωση. Το βύσμα πρέπει να είναι εύκολα προσβάσιμο μετά την εγκατάσταση της συσκευής. Στην περίπτωση που η συσκευή διαθέτει καλώδιο χωρίς βύσμα, για να το συνδέσετε στο ηλεκτρικό δίκτυο είναι αναγκαίο να μεσολαβεί μεταξύ της συσκευής και του ηλεκτρικού δικτύου ένας παντοπλικός διακόπτης με ελάχιστο άνοιγμα μεταξύ των επαφών 3mm, επαρκής για το φορτίο και σύμφωνος με τους ισχύοντες κανονισμούς.

Η σύνδεση στο δίκτυο θα πρέπει να γίνει ως εξής:

ΚΑΦΕ: γραμμή L

ΜΠΛΕ: N ουδέτερη γραμμή.

• Η ελάχιστη απόσταση από την επιφάνεια στήριξης των συσκευών μαγειρέματος στις εστίες και το χαμηλότερο τμήμα του απορροφητήρα της κουζίνας πρέπει να είναι ίση με τουλάχιστον 65 cm.

Σε περίπτωση που χρησιμοποιηθεί σωλήνας σύνδεσης το οποίο αποτελείται από δύο ή περισσότερα κομμάτια, θα πρέπει το πάνω μέρος να περαστεί πάνω από το κάτω μέρος. Σε καμία περίπτωση δεν πέπει ο σωλήνας απορρόφησης να συνδεθεί με σωλήνα, ο οποίος χρησιμοποιείται για εκκένωση καπνού συσκευών που τροφοδοτούνται από ενέργεια όχι ηλεκτρική. Πριν προχωρήσετε στις διεργασίες συναρμολόγησης, για ευκολότερο χειρισμό της συσκευής αποσυνδέστε το φίλτρο/-α συγκράτησης λιπαρών (Εικ.5).

- Στην περίπτωση συναρμολόγησης της συσκευής στην έκδοση για απορρόφηση τοποθετήστε την οπή εξαγωγής αέρα.

• Συνιστάται η χρήση ενός σωλήνα εκκένωσης αέρα ίδιας διαμέτρου με το στόμιο εξόδου αέρα. Η χρήση προσαρμοστικού θα μπορούσε να μειώσει τις επιδόσεις του προϊόντος και να αυξήσει τη θορυβώδητητα.

**• Στερωση σε τοίχο**

Ανοίξτε τις οπές Α τήρυντας τις υποδεικνυόμενες αποστάσεις (Εικ.2). Στερεώστε τη συσκευή στον τοίχο και ευθυγραμμίστε τη σε οριζόντια θέση με τα ράφια. Με το πέρας της ρύθμισης στερεώστε τον απορροφητήρα οριστικά με τις 2 βίδες Α (Εικ.4). Για τις διάφορες συναρμολογήσεις χρησιμοποιήστε βίδες και ούπας διαστολής κατάλληλα για τον τύπο του τοίχου (π.χ. μετπόν αρμέ, γύψο, κλπ). Στην περίπτωση που οι βίδες και τα ούπας σας παρέχονται με το προϊόν βεβαιωθείτε ότι είναι κατάλληλα για τον τύπο του τοίχου στον οποίο θα στερεωθεί ο απορροφητήρας.

**• Στερωση των διακοσμητικών τηλεσκοπικών ρακορ**

Προετοιμάστε την ηλεκτρική τροφοδοσία εντός του όγκου του διακοσμητικού ρακορ. Αν η συσκευή σας εγκατασταθεί σε έκδοση απορρόφησης ή σε έκδοση με εξωτερικό μοτέρ, προετοιμάστε την οπή εκκένωσης αέρα. Ρυθμίστε το

πλάτος του επάνω βραχίονα στήριξης (Εικ.3). Ακολουθήστε στερεώστε τον στην οροφή έτσι που να είναι σε ευθεία με τον απορροφητήρα σας με τις βίδες Α (Εικ.3) και τηρώντας την απόσταση από την οροφή που υποδεικνύεται στην Εικ.2. Συνδέστε, μέσω ενός σωλήνα ένα συνδετικό σωλήνα, τη φλάντζα **C** στην οπή εκκένωσης αέρα (Εικ.4). Εισάγετε το επάνω ρακόρ στο εσωτερικό του κάτω ρακόρ. Στερεώστε το κάτω ρακόρ στον απορροφητήρα χρησιμοποιώντας τις βίδες **B** που σας παρέχονται (Εικ.4), τραβήξτε το επάνω ρακόρ μέχρι τη ράβδο και στερεώστε το με τις βίδες **B** (Εικ.3). Για να μετατρέψετε τον απορροφητήρα από έκδοση απορρόφησης σε έκδοση διήθησης, ζητήστε από τον μεταπωλητή σας τα φίλτρα ενεργού άνθρακα και ακολουθήστε τις οδηγίες συναρμολόγησης.

#### • Έκδοση διήθησης

Εγκαταστήστε τον απορροφητήρα και τα δύο ρακόρ όπως υποδεικνύεται στην παράγραφο που αφορά στη συναρμολόγηση του απορροφητήρα στην έκδοση απορρόφησης. Για τη συναρμολόγηση του ρακόρ διήθησης ανατρέξτε στις οδηγίες που περιέχονται στο κιτ. Αν το κιτ δεν σας παρέχεται, παραγγείλετέ το στον μεταπωλητή σας ως αξεσουάρ. Τα φίλτρα θα πρέπει να εφαρμόζονται στην ομάδα απορρόφησης που βρίσκεται στο εσωτερικό του απορροφητήρα τοποθετώντας τα στο κέντρο του απορροφητήρα και περιστρέφοντάς τα κατά 90 μοίρες έως το κλικ του σταματήματος (Εικ.6)..

### ΧΡΗΣΗ ΚΑΙ ΣΥΝΤΗΡΗΣΗ

- Συνιστάται να θέτετε σε λειτουργία τη συσκευή πριν προχωρήσετε στο μαγείρεμα κάποιου τροφίμου. Συστήνεται να αφήνετε τη συσκευή να λειτουργεί για 15 λεπτά αφού τελειώσετε το μαγείρεμα των τροφίμων, για πλήρη εκκένωση του μολυσμένου αέρα. Η καλή λειτουργία του απορροφητήρα εξαρτάται από τη σωστή και συνεχή συντήρηση. Ιδιαίτερη προσοχή πρέπει να δοθεί στο φίλτρο συγκράτησης λίπους και στο φίλτρο ενεργού άνθρακα.
- **Το φίλτρο συγκράτησης λίπους** έχει ως σκοπό τη συγκράτηση των λιπαρών σωματιδίων που αιωρούνται στον αέρα, συνεπώς υπόκειται σε έμφραξη σε χρονικά διαστήματα που ποικίλουν ανάλογα με τη χρήση της συσκευής.
  - Προκειμένου να αποφευχθεί κάθε κίνδυνος πυρκαγιάς, το ανώτερο κάθε 2 μήνες, είναι απαραίτητο να πλένετε τα φίλτρα αντιγράφου στο χέρι, χρησιμοποιώντας ρευστά ουδέτερα απορρυπαντικά, ή σε πληθύνια πιάτων σε χαμηλές θερμοκρασίες και σε σύντομες πλύσεις.
  - Μετά από μερικές πλύσεις, μπορεί να διαπιστωθούν αλλοιώσεις του χρώματος. Το γεγονός αυτό δεν αποτελεί λόγο διαμαρτυρίας για τυχόν αντικατάστασή τους.
- **Τα ενεργά φίλτρα άνθρακα** χρησιμοποιούνται για τον καθαρισμό του αέρα που ανακυκλώνεται στο περιβάλλον και έχει τη λειτουργία να μειώνει τις δυσάρεστες οσμές που προκαλούνται από το μαγείρεμα.
  - Τα μη ανανεώσιμα ενεργά φίλτρα άνθρακα πρέπει να αντικαθίστανται κάθε 4 μήνες το ανώτερο. Ο κορεσμός του ενεργού άνθρακα εξαρτάται περίπου από τη διάρκεια χρήσης της συσκευής, από τον τύπο της κουζίνας και από τη συχνότητα με την οποία γίνεται ο καθαρισμός του φίλτρου αντιγράφου.
- **Πριν επαναποθετήσετε τα φίλτρα αντιγράφου και τα ενεργά ανανεώσιμα φίλτρα άνθρακα προσέξτε αυτά να έχουν στεγνώσει καλά.**
- **Να καθαρίζετε συχνά τον απορροφητήρα, εσωτερικά και εξωτερικά, χρησιμοποιώντας ένα βρεγμένο πανί με μετουσιωμένο οινόπνευμα ή υγρά ουδέτερα απορρυπαντικά μη αποξυστικά.**
- Η εγκατάσταση φωτισμού σχεδιάστηκε για να χρησιμοποιείται κατά το μαγείρεμα και όχι για γενικό παρατεταμένο φωτισμό του χώρου. Η παρατεταμένη χρήση του φωτισμού μειώνει σημαντικά τη μέση διάρκεια των λυχνιών.
- Αν η συσκευή είναι εξοπλισμένη με φωτισμό περιβάλλοντος αυτός μπορεί να χρησιμοποιηθεί για παρατεταμένη χρήση γενικού φωτισμού του περιβάλλοντος.
- **Προσοχή:** Η μη τήρηση των προειδοποιήσεων για την καθαριότητα του απορροφητήρα και την αντικατάσταση και

καθαρισμό των φίλτρων μπορεί να προκαλέσει πυρκαγιά. Σας συνιστούμε κατά συνέπεια να ακολουθείτε προσεκτικά τις οδηγίες που προτείνονται.

#### • Αντικατάσταση των λαμπτήρων LED (Εικ.7):

Αν η έκδοση της συσκευής είναι με λαμπτήρες LED για την αντικατάσταση χρειάζεται η επέμβαση ενός ειδικευμένου τεχνικού.

#### • Αντικατάσταση των λυχνιών αλογόνου (Εικ.8):

Για την αντικατάσταση των λυχνιών αλογόνου **B** βγάλτε το γυαλάκι **C** κάνοντας αντίσταση στις σχετικές εσοχές. Αντικαταστήστε με λυχνίες ίδιου τύπου.

**Προσοχή:** μην αγγίζετε τη λυχνία με γυμνά χέρια.

#### • Αντικατάσταση των λαμπτήρων πυρακτώσεως/αλογόνου (Εικ.9):

Χρησιμοποιείτε μόνο λαμπτήρες του ίδιου τύπου και ικανότητα απορρόφησης ηλεκτρικής ισχύος εγκατεστημένα στη συσκευή.

#### • Εντολές (Εικ.10) Μηχανικοί:

**A** = πληκτρο ΦΩΤΙΣΜΟΥ  
**B** = πληκτρο ΟΦΦ ΤΑΧΥΤΗΤΑ  
**C** = πληκτρο ΠΡΩΤΗ ΤΑΧΥΤΗΤΑ  
**D** = πληκτρο ΔΕΥΤΕΡΗ ΤΑΧΥΤΗΤΑ  
**E** = πληκτρο ΤΡΙΤΗ ΤΑΧΥΤΗΤΑ.

#### • Εντολές φωτεινών (Εικ.11):

**A** = πληκτρο ΦΩΤΙΣΜΟΥ  
**B** = πληκτρο ΟΦΦ ΤΑΧΥΤΗΤΑ  
**C** = πληκτρο ΠΡΩΤΗ ΤΑΧΥΤΗΤΑ  
**D** = πληκτρο ΔΕΥΤΕΡΗ ΤΑΧΥΤΗΤΑ  
**E** = πληκτρο ΤΡΙΤΗ ΤΑΧΥΤΗΤΑ  
**F** = πληκτρο TIMER ΑΥΤΟΜΑΤΟ ΣΤΑΜΑΤΗΜΑ 15 λεπτών (\*)

Αν η συσκευή σας διαθέτει τη λειτουργία **ENTONH** ταχύτητα, ξεκινώντας από την ΤΡΙΤΗ ταχύτητα και κρατώντας πατημένο για 2 δευτερόλεπτα περίπου το πλήκτρο **E** αυτή θα ενεργοποιηθεί για 10 λεπτά και στη συνέχεια θα επιστρέψει στην προκαθορισμένη ταχύτητα.

Όταν η λειτουργία είναι ενεργή το LED αναβοσβήνει.

Για να τη διακόψετε πριν από τα 10 λεπτά πατήστε ξανά το πλήκτρο **E**.

Σε ορισμένα μοντέλα μπορείτε να ενεργοποιήσετε τη λειτουργία ακόμα και με την πρώτη και τη δεύτερη ταχύτητα.

Πιέζοντας το πλήκτρο **F** για 2 δευτερόλεπτα (με τον απορροφητήρα σβηστό) ενεργοποιείται η λειτουργία "**clean air**". Αυτή η λειτουργία ανάβει τον κινητήρα για 10 λεπτά κάθε ώρα στην πρώτη ταχύτητα. Μόλις ενεργοποιηθεί η λειτουργία, ο κινητήρας ξεκινά με την 1η ταχύτητα για 10 λεπτά κατά τη διάρκεια των οποίων θα πρέπει να αναβοσβήνει το πλήκτρο **F** και το πλήκτρο **C**.

Αφού περάσει αυτός ο χρόνος ο κινητήρας σβήνει και το φωτάκι του πλήκτρου **F** παραμένει αναμμένο σταθερό έως ότου μετά από άλλα 50 λεπτά ξαναξεκινά ο κινητήρας με την πρώτη ταχύτητα και τα φωτάκια **F** και **C** ξαναρχίζουν να αναβοσβήνουν για 10 λεπτά και έτσι συνεχίζει.

Πατώντας οποιοδήποτε πλήκτρο εκτός από τα φώτα του απορροφητήρα, επιστρέφει στην κανονική λειτουργία (πχ. αν πατήσετε το πλήκτρο **D** απενεργοποιείται η λειτουργία "**clean air**" και το μωτέρ μπαίνει στη 2η ταχύτητα. Πατώντας το πλήκτρο **B** η λειτουργία απενεργοποιείται.

(\*) Η λειτουργία «**TIMER ΑΥΤΟΜΑΤΟ ΣΒΗΣΙΜΟ**» καθυστερεί το σταμάτημα του απορροφητήρα, που θα συνεχίσει να λειτουργεί στην τρέχουσα ταχύτητα κατά την ενεργοποίηση αυτής της λειτουργίας και για 15 λεπτά.



### • Κορεσμός φίλτρων συγκράτησης λίπους/ενεργού άνθρακα:

- Όταν το κουμπί **A** αναβοσβήνει με συχνότητα **2 sec.** τα φίλτρα συγκράτησης λίπους πρέπει να πλένονται.

- Όταν το πλήκτρο **A** αναβοσβήνει κάθε **0,5 δευτ.** τα ενεργά φίλτρα άνθρακα πρέπει να πλυθούν ή να αντικατασταθούν σύμφωνα με τον τύπο του φίλτρου.

Αφού επανατοποθετηθεί το καθαρό φίλτρο θα πρέπει να κάνετε reset στην ηλεκτρονική μνήμη πιέζοντας το κουμπί **A** για περίπου **5 sec.** μέχρι να σταματήσει να αναβοσβήνει.

### • Εντολές (Εικ. 12):

**Πλήκτρο A** = αναβεί/σβήνει τα φωτα.

**Πλήκτρο B** = αναβεί/σβήνει τον απορροφητήρα. Η συσκευή αναβεί στην 1<sup>η</sup> ταχύτητα. Εάν ο απορροφητήρας είναι αναμμένος πατήστε το πλήκτρο για 2 δευτ. για να σβήσει. Εάν ο απορροφητήρας βρίσκεται στην 1<sup>η</sup> ταχύτητα δεν είναι αναγκαίο να κρατάς πατημένο το πλήκτρο για να σβήσει. Ελαττώνει την ταχύτητα του κινητήρα.

**Display C** = δείχνει την ταχύτητα επιλογής του κινητήρα και την ενεργοποίηση του timer.

**Πλήκτρο D** = αναβεί τον απορροφητήρα. Αυξάνει την ταχύτητα του κινητήρα. Πατώντας το πλήκτρο από την 3<sup>η</sup> ταχύτητα εισαγεται η εντατική λειτουργία για 10', μετά η συσκευή ξαναγυρίζει να λειτουργεί στην ταχύτητα που λειτουργούσε την στιγμή της ενεργοποίησης. Κατά την διάρκεια αυτής της λειτουργίας το display αναβοσβήνει.

**Πλήκτρο E** = Το Timer ρυθμίζει χρονικά τις λειτουργίες, τη στιγμή της ενεργοποίησης, για 15 λεπτά μετά την απενεργοποίησή τους. Το Timer απενεργοποιεί ξαναπιέζοντας το κουμπί E. Όταν η λειτουργία Timer είναι ενεργή στην οθόνη πρέπει να αναβοσβήνει το δεκαδικό σημείο. Αν είναι σε λειτουργία η έντονη ταχύτητα, το Timer δεν μπορεί να ενεργοποιηθεί.

Πιέζοντας το κουμπί **E** για 2 δευτερόλεπτα, όταν η συσκευή είναι σβηστή, ενεργοποιείται η λειτουργία "clean air". Αυτή ενεργοποιεί τον κινητήρα για 10 λεπτά κάθε ώρα στην πρώτη ταχύτητα.

Κατά τη λειτουργία, η οθόνη πρέπει να απεικονίζει μια περιστροφική κίνηση των περιφερειακών τμημάτων.

Με το πέρασ του χρόνου αυτού ο κινητήρας σβήνει και η οθόνη πρέπει να απεικονίζει το γράμμα "C" σταθερά μέχρις ότου, μετά από άλλα 50 λεπτά, θα επανεκκινήσει ο κινητήρας για άλλα 10 λεπτά κ.ο.κ.. Για να επιστρέψετε στην κανονική λειτουργία πατήστε οποιοδήποτε πλήκτρο εκτός από το φως. Για απενεργοποιήσετε τη λειτουργία πατήστε το πλήκτρο **E**.

### • Κορεσμός φίλτρων συγκράτησης λίπους/ενεργού άνθρακα:

- Όταν η οθόνη **C** αναβοσβήνει εναλλάσσοντας την ταχύτητα εργασίας με το γράμμα **F** (π.χ. 1 και **F**) τα φίλτρα συγκράτησης λίπους πρέπει να πλυθούν.

- Όταν το display **C** αναβοσβήνει εναλλάσσοντας την ταχύτητα άσκησης με το γράμμα **A** (π.χ. 1 και **A**) τα ενεργά φίλτρα άνθρακα πρέπει να πλυθούν ή να αντικατασταθούν ανάλογα με τον τύπο του φίλτρου.

Αφού επανατοποθετηθεί το καθαρό φίλτρο, θα πρέπει να κάνετε reset στην ηλεκτρονική μνήμη πιέζοντας το κουμπί **A** για περίπου 5 sec μέχρι να σταματήσει να αναβοσβήνει η επισήμανση **F** ή **A** της οθόνης **C**.

### • Μηχανικές εντολές (Εικ. 13) : τα σύμβολα αναφέρονται στη συνέχεια:

**A** = πλήκτρο ΦΩΣ / ON-OFF

**B** = πλήκτρο OFF / ΠΡΩΤΗ ΤΑΧΥΤΗΤΑ

**C** = πλήκτρο ΔΕΥΤΕΡΗΣ ΤΑΧΥΤΗΤΑΣ

**D** = πλήκτρο ΤΡΙΤΗΣ ΤΑΧΥΤΗΤΑΣ

Αν σβήσετε την κάπα στην πρώτη, δεύτερη ή Τρίτη ταχύτητα, τη στιγμή που την ανάψετε και πάλι, θα ξεκινήσει με την ίδια ταχύτητα άσκησης που βρισκόταν τη στιγμή του σβήσματος.

## ΔΕΝ ΑΝΑΛΑΜΒΑΝΟΥΜΕ ΕΥΘΥΝΕΣ ΓΙΑ ΤΥΧΩΝ ΖΗΜΙΕΣ ΠΟΥ ΠΡΟΚΑΛΟΥΝΤΑΙ ΑΠΟ ΤΗΝ ΜΗ ΤΗΡΗΣΗ ΤΩΝ ΣΥΜΒΟΥΛΩΝ ΠΟΥ ΠΡΟΑΝΑΦΕΡΘΗΚΑΝ.

# MAGYAR

# H

## ÁLTALÁNOS TUDNIVALÓK

Kérjük, figyelmesen olvassa el útmutatónkat, mert fontos tudnivalókat tartalmaz a készülék felszerelésére, használatára és karbantartására vonatkozóan. Órizzze meg, mert a későbbiekben is szüksége lehet rá. A berendezést úgy tervezték, hogy elszívással (a levegőnek a szabadba történő kivezetésével – 1B.ábra), szűrővel (a levegő visszavezetésével – 1A.ábra), vagy külső motorral (1C.ábra) is használható.

## BIZTONSÁGI FIGYELMEZTETÉSEK

1. Figyeljünk arra, hogyha nem villanással működő és ugyanannak a helyiségnek a légtérét használó elszívó, kályha vagy tűzhely működik egyszerre, akkor az elszívó esetleg kivonja a kályha vagy a tűzhely égéséhez szükséges levegőt. A helyiség negatív nyomása 4 PA-nál nem lehet nagyobb (4x10<sup>-3</sup>bar). A biztonságos működés érdekében gondoskodjunk a helyiség megfelelő levegőellátásáról. A szennyezett levegő külső térbe való elvezetésekor tartsuk be az ide vonatkozó előírásokat.

### Mielőtt bekötné a modellt az elektromos hálózatba:

- Ellenőrizze a (a készülék belsejében található) műszaki adatokat tartalmazó táblát, és győződjön meg arról, hogy az elektromos hálózat feszültsége és teljesítménye megfelel-e a feltüntetett adatoknak, valamint, hogy a csatlakozó megfelelő-e. Amennyiben kételyei merülnek fel, forduljon szakképzett villanyszerelőhöz.

- Ha a tápkábel megsérült, ki kell cserélni egy másik kábelre, vagy a gyártónál vagy annak szervizközpontjában beszerezhető speciális egységre.

- 3A-s biztosítékkal ellátott csatlakozódugóval kösse be a hálózatba az egységet, vagy csatlakoztassa 3A-s biztosítókkal védett kétfázisú kábel két éréhez.

### 2. Figyelem!

**Bizonyos esetekben az elektromos készülékek veszélyt jelenthetnek.**

**A) Az elszívó működése közben ne ellenőrizze a szűrők állapotát.**

**B) A készülék világításának hosszan tartó használata közben vagy közvetlenül azt követően ne érjen az izzókhöz vagy a mellettük lévő felületekhez.**

**C) Az elszívó alatt tilos nyílt lángon sütni.**

**D) Ne használjon nyílt lángot, mert az tönkretelheti a szűrőket és tüzet okozhat.**

**E) Tartsa folyamatosan szem előtt a sütetést, nehogy a forró olaj meggyulladjon.**

**F) A karbantartási műveletek előtt húzza ki a konnektort a dugóból.**

**G) A készülék nem gyerekek vagy felügyelet nélkül hagyott, működtetésre alkalmatlan személyek általi használatra lett tervezve.**

**H) Vigyázzon a gyerekekre, hogy nehogy játszanak a készülékkel.**

**I) Amennyiben az elszívó gázzal vagy más éghető anyaggal működő készülékkel együtt használja, a helyiségnek megfelelő szellőzéssel kell rendelkeznie.**

**L) Amennyiben a tisztítási műveleteket nem az utasítá-**

## soknak megfelelően végzi el, fennáll a veszélye annak, hogy a készülék kigyullad.

A készülék megfelel az elektromos és elektronikus berendezések hulladékairól (WEEE) szóló 2002/96/EK európai uniós irányelvnek. Gondoskodjon a termék megfelelő kezeléséről, annak működéséből történő kivonása után, a felhasználó hozzájárul a környezetre és az egészségre való káros hatások megelőzéséhez.



A terméken vagy a mellékelt dokumentáción feltüntetett jelölés azt jelzi, hogy a termék nem kezelhető háztartási hulladékként, hanem a megfelelő begyűjtő állomásra kell vinni az elektromos és elektronikus berendezések újrahasznosítása érdekében. Készülékétől a hulladékkezelésre vonatkozó helyi előírásoknak megfelelően válnjon meg. A termékkel kezelésével, összegyűjtésével és újrahasznosításával kapcsolatos további információkért forduljon a megfelelő helyi irodához, a háztartási hulladékokat begyűjtő szolgálathoz, vagy ahhoz az üzlethez, ahol a készüléket megvásárolta.

## FELSZERELÉSI UTASÍTÁSOK

- **A beszerelést és az elektromos bekötést csak szakemberek végezhetik el.**
- **Vegyék fel a védőkesztyűket az összeszerelési műveletek elkezdése előtt.**

### • Elektromos bekötés:

A termék kéteres kábelrel készül, vigyázzunk, hogy az egyik huzalt se kössük a földvezetékbe. A dugónak a készülék felszerelését követően is könnyen megközelíthetőnek kell maradnia. Abban az esetben, ha a készülék dugó nélküli tápkábelrel van ellátva, az elektromos hálózatba való bekötéshez a készülék és a hálózat közé be kell iktatni egy, a terhelésre szabott és az érvényes szabványnak megfelelő univerzális megszakítót, melynek érintkezői között legalább 3 mm távolságnak kell lennie. A hálózatra való bekötésnél vegyük figyelembe a huzalok színét:

BARNA = L fázis

KÉK = N nullafázis.

- A főzőlap főzéshez használt edényeket tartó felülete és a konyhai elszívó alsó része között minimum **65 cm** távolságnak kell lennie. Ha két vagy több elvezető csövet kell összeszerelnünk, akkor az alsó csövet illesztjük a felső belsejébe. Az elszívó csövet ne vezessük olyan kémanyba, amelyben meleg levegő áramlik, vagy amely nem villanyszereléssel működő berendezés égéstermékét vezet el. A szerelés megkönnyítéséhez az összeszerelés megkezdése előtt távolítsuk el a zsírszűrőt/ zsírszűrőket (5. ábra).

- Amennyiben a készüléket konyhai szagelszívóként szereli fel, gondoskodjon kéménynyílásról.

- Tanácsos a levegőkimeneti cső átmérőjével megegyező átmérőjű levegőelvezető csövet használni. Az átmérőcsökkentés csökkenti a termék teljesítményét, és növeli a zajosságát.

### • Fali rögzítés

A megjelölt magasságok betartásával készítsük el az **A** furatokat (2. ábra). Rögzítsük a berendezést a falra, az akasztókkal állítsuk vízszintbe.

A beszabályozást követően rögzítsük véglegesen a kürtöt a **2 A** jelű csavarral (4. ábra).

A felszereléshez a fal fajtájának (pl. vasbeton, gipszkarton, stb.) megfelelő csavarokat és szélesedő tipliket használjunk.

Amennyiben a kürtövel együtt leszállításra kerülnek a csavarok és a tiplik is, ellenőrizzük, hogy azok megfelelnek-e a faltípusnak, ahova a kürtöt rögzíteni kell.

### • A teleszkopikus díszítőelemek rögzítése

A díszítő elem által takart térben alakítsuk ki a tápfeszültség bekötését. Amennyiben a berendezést elszívóval, vagy külső motorral szerelik, gondoskodni kell a levegő elvezetéshez szükséges nyílásról.

Állítsuk be a felső elemet alátámasztó bilincs szélességét (3. ábra). Az **A** csavarokkal (3. ábra) a mennyezettől való távolság (lásd 2. ábra) tartásával rögzítsük a mennyezetre úgy, hogy a kürtő tengelyében legyen. Csatlakozó cső segítségével kössük be a légelvezető nyílás **C** peremét (4. ábra).

A felső csatlakozó elemet illesztjük bele az alsóba. A berendezéssel leszállított **B** csavarokkal (4. ábra) rögzítsük az alsó csatlakozó elemet a kürtőhöz, a felső csatlakozó elemet húzzuk ki a bilincsig, majd a **B** csavarokkal rögzítsük (3. ábra). Az elszívóval szerelt kürtő szűrőre való átalakításához a vizsonteladótól meg kell rendelni az aktív szén szűrőket, és a szerelési útmutató szerint be kell azokat szerelni.

### • Szűrős változat

Az elszívóval szerelt kürtő szerelési utasításait tartalmazó fejezetben megadott módon szereljük fel a kürtőt és a két csatlakozó elemet. A szűrő beszerelését a készlettel együtt átdadott utasítások szerint végezzük. Amennyiben a készletet nem szállították le a berendezéssel együtt, tartozékként rendeljük meg a vizsonteladótól. A szűrő felszereléséhez a szagelszívó belsejében levő elszívó blokkra helyezze a szűrőt középre és fordítsa el 90°-kal, amíg nem kattann (6. ábra)

## HASZNÁLAT ÉS KARBANTARTÁS

- Mielőtt bármilyen étel főzésébe belekezdene, tanácsos bekapcsolni a készüléket.

A szennyezett levegő teljes kiszellőztetése érdekében a főzés végét követően ajánlatos még 15 percig bekapcsolva hagyni az elszívót.

Az elszívó tökéletes működtetése megfelelő és folyamatos karbantartást igényel. Különös figyelmet kell fordítani a zsír- és az aktív szénzsűrőre.

- **A zsírszűrő** megkötő a levegőben lévő zsírszemcséket, melyek a használatától függően idővel eltömítik a készüléket.

- Egy esetleges tűzveszély megelőzése érdekében legfeljebb kéthavonta mossa el kézzel a zsírszűrőket. Használjon semleges folyékony mosószereket, vagy mossa el a zsírszűrőt alacsony hőmérsékleten mosogatógépben rövid programon. Ne használjon súrolószert.

- Néhány mosás után a zsírszűrő színe megváltozhat. Ez nem szolgálhat alapot reklamációra, és a szűrő esetleges cseréjére.

- **Aktív szénzsűrők** feladata, hogy megtisztítsák a környezetbe visszaáramoltatott levegőt, és csökkentse a főzés során keletkező kellemetlen szagokat.

- A nem regenerálható aktív szénzsűrőket legfeljebb 4 havonta cserélni kell. Az aktív szén telítődését befolyásoló tényezők: a készülék használatának időtartama, főzési szokások és a zsírszűrő tisztításának gyakorisága.

- A regenerálható aktív szénzsűrőket mossa kézzel, semleges mosószerelemmel, vagy mosogatógépben max. 65°C-on (hagyja lemenni a teljes programot, és a mosogatógépbe ne rakjon más edényt). Ne használjon súrolószert. Távolítsa el a felesleges vizet anélkül, hogy a szűrőt megsértené, távolítsa el a műanyag részeket, és szárítsa ki a szűrőt a sütőben (min. 15 perc legfeljebb 100°C-on).

A regenerálható aktív szénzsűrő megfelelő működése érdekében a szűrő tisztítását 2 havonta végezze el. A regene-

rálható szénzsűrőt legalább 3 évente, de a matrac sérülése esetén minden esetben cserélje ki.

• **A zsírszűrők és a regenerálható aktív szénzsűrők visszahelyezése előtt várja meg, hogy a szénzsűrők teljesen megszáradjanak.**

• **Denaturált szeszszel vagy nem súroló hatású folyékony mosószerrel átitatott vizes ruhával tisztítsa meg gyakran az elszívó külsejét és belsejét.**

• A világítóberendezést főzés közbeni használatra tervezték, és nem a konyha általános, huzamos idejű megvilágítására. A huzamos idejű használat lényegesen lecsökkenti az égők átlag élettartamát.

• Ha a készülék rendelkezik **szobai világítással** a készüléket használhatja a konyha huzamosabb ideig tartó megvilágítására.

• **Figyelem:** az elszívó és a szűrők tisztítására ill. a szűrők cseréjére vonatkozó utasítások be nem tartása megnöveli a tűzeset kockázatát. Ezért azt tanácsoljuk, kövesse az utasításokat.

• **A FÉNYJELZŐ LÁMPÁK KICSERÉLÉSE (7.ÁBRA):**

Amennyiben a készülék **FÉNYJELZŐ** lámpával ellátott típusú, a lámpa kicseréléséhez villanyszerelőt kell hívni.

• **A halogénizzók cseréje (8.ÁBRA):**

A **B** halogénizzók cseréjéhez a megfelelő réseken keresztül megemelve vegye le a **C** üvegburát.

Cserélje ki az izzókat azonos típusúakra!

**Figyelem!** Ne fogja meg a lámpát csupasz kézzel!

• **Az izzózás / halogén égők cseréje (9.ÁBRA):**

Csak a készülékre felszerelttel megegyező erősségű és típusú izzót használjon.

• **Vezérlés (10.ÁBRA) Mechanikus:**

**A** = VILÁGÍTÁS

**B** = OFF

**C** = ELSŐ SEBESSÉG

**D** = MÁSODIK SEBESSÉG

**E** = HARMADIK SEBESSÉG.

• **Vezérlés (11.ÁBRA) Fényvezérlés:**

**A** = VILÁGÍTÁS

**B** = OFF

**C** = ELSŐ SEBESSÉG

**D** = MÁSODIK SEBESSÉG

**E** = HARMADIK SEBESSÉG

**F** = LEÁLLÍTÁS AUTOMATIKUS KÉSLELTETÉSE 15 perccel (\*)

Ha az ön készüléke rendelkezik **INTENZÍV** sebességfokozattal, a fokozat bekapcsolásához állítsa a készüléket **HARMADIK** fokozatba, majd tartsa nyomva az **E** gombot kb. 2 másodpercig. Az intenzív sebesség 10 perc működés után kikapcsol, és a készülék az eredetileg beállított fokozaton üzemel tovább. Amikor a funkció aktív, a led villog.

Ha a funkciót nem kívánja 10 percig üzemeltetni, a kikapcsoláshoz nyomja meg ismételten az **E** gombot.

Egyes modellek esetében az intenzív funkció egyes vagy kettes fokozat mellett is bekapcsolható.

Ha 2 másodpercig nyomva tartja (kikapcsolt szagelszívó mellett) az **F** gombot, működésbe lép a **"clean air"** funkció. Ez a funkció óránként 10 percre bekapcsolja a motort egyes sebességen. Amint működésbe hozta a funkciót, 10 percre beindul a motor egyes sebességen.

Ez alatt az idő alatt az **F** és a **C** gomb együtt villog. 10 perc elteltével a motor kikapcsolódik, és az **F** gomb ledje folya-

matos fényvel ég. 50 perccel később a motor ismételten be fog indulni az egyes sebességen és az **F** és **C** ledék ismételten villogni fognak 10 percig, stb. Lenyomva bármelyik gombot a fényekre vonatkozó gombokon kívül, a páraelszívó visszatér a rendes üzemmódba (pl. ha lenyomják a **D** gombot, érvénytelenítve lesz a **"clean air"** (tisztá levegő) funkció és a motor 2-es sebességre lesz beállítva; a **B** gomb lenyomásával a funkció ki lesz kapcsolva).

(\*) A **"LEÁLLÍTÁS AUTOMATIKUS KÉSLELTETÉSE"** megakadályozza az elszívó kikapcsolását és a búra a funkció bekapcsolásakor folyamatban levő üzembességén fog működni még 15 perccel.

• A zsírszűrők/aktív szénzsűrők telítődése:

-Amikor az **A 2 másodperces** időközönként villog, mossa el a zsírszűrőket.

-Amikor az **A gomb 0,5 másodperces** időközönként villog a mossa el vagy cserélje ki az aktív szénzsűrőt (a szűrő típusától függően).

Miután visszahelyezte a tiszta szűrőt, az elektromos memória nullázásához nagyjából **öt másodpercre** tartsa lenyomva az **A** gombot, míg az villogni nem kezd!

• **Vezérlés (12.ÁBRA):**

**A billentyű** = Be- illetve kikapcsolja a világítást.

**B billentyű** = Be- illetve kikapcsolja a páraelszívót. A készülék az 1. sebességnél kapcsol be. Ha az elszívó be van kapcsolva, a kikapcsoláshoz 2 másodpercig tartsa lenyomva a billentyűt. Ha az elszívó az első sebességre van állítva, nem szükséges a kikapcsoláshoz lenyomva tartani a billentyűt. Csökkenti a motor sebességét.

**C kijelző** = A motor kiválasztott sebességét valamint az időrelel bekapcsolását jelzi.

**D billentyű** = Bekapcsolja az elszívót. Növeli a motor sebességét. Ha a billentyűt a 3. sebességben nyomja meg, 10 percre bekapcl az intenzív funkció, ezután a készülék visszatér a funkció kiválasztását megelőző üzemi sebességbe. A funkció működése alatt a display villog.

**E billentyű** = A Timer, az aktiválás pillanatában, időzíti a funkciókat 15 percre, miután a funkciók kikapcsoltak. A Timer kikapcsolható az **E** billentyű megnyomásával. Amikor a Timer funkció aktív, a kijelzőn a tizedesponznak villognia kell. Ha az intenzív sebesség működésben van, a Timert nem lehet aktiválni.

Az **E** billentyű 2 másodpercig tartó megnyomásával, ha a készülék ki van kapcsolva, aktiválódik a **"clean air"** funkció. Ezzel bekapcsolódik a motor minden órában 10 percre első sebességre. Működés közben a kijelzőnek a perifériás részek forgó mozgását kell mutatnia. Ennek az időnek az elteltével a motor kikapcsol és a kijelzőn meg kell jelennie a nem villogó **"C"** betűnek egészen addig, amíg újabb 50 perc múlva a motor további 10 percre újraindul stb. A normál üzemmódba való visszaálláshoz nyomjon meg egy tetszés szerinti gombot, kivéve a világítás gombot. A funkció kikapcsolásához nyomja meg az **E** gombot.

• **A zsírszűrők/aktív szénzsűrők telítődése:**

-Amennyiben a **C** kijelzőn az aktuális sebességfokozat és az **F** betű villog felváltva (pl. 1 és F), a zsírszűrőket meg kell mosni.

-Amikor a **C** kijelzőn az aktuális sebesség fokozat és az **A** betű (pl.1 és A) felváltva villog, mossa el vagy cserélje ki az aktív szénzsűrőket (a szűrő típusától függően).

Miután visszahelyezte a tiszta szűrőt, az elektromos memória nullázásához nagyjából **öt másodpercre** tartsa lenyomva az **A** gombot, míg a **C** kijelzőn az **F**, vagy **A** jelzés villogása abba nem marad!

• **Kezelőszervek (13 ábra)** : a jelölésekhez tartozó magyarázat:

**A**= VILÁGÍTÁS kapcsoló

**B**= KIKAPCSOLÓ / ELSŐ SEBESSÉGFOKOZAT gomb

**C**= MÁSODIK SEBESSÉGFOKOZAT gomb

**D**= HARMADIK SEBESSÉGFOKOZAT gomb.

Ha az elszívó első, második vagy harmadik sebességfokozatban működik, amikor kikapcsolja, a visszakapcsoláskor az elszívó ugyanabban a sebességfokozatban indul el, mint amelyikben a kikapcsolás pillanatában működött.

## A HASZNÁLATI UTASÍTÁS BE NEM TARTÁSÁBÓL EREDŐ KÁROKÉRT SEMMINEMŰ FELELŐSSÉGET NEM VÁLLALUNK.

**NORSK**

**N**

### GENERELT

Les denne bruksanvisningen nøye. Her gis viktig informasjon angående sikker installering, bruk og vedlikehold av apparatet. Ta vare på bruksanvisningen for fremtidige behov. Apparatet er laget for å kunne brukes i avtrekksversjon (suge ut luft utenifra - Fig.1B), filterversjon (resirkulere luft innvendig - Fig.1A) eller versjon med ekstern motor (Fig.1C).

### SIKKERHETS INFORMASJON

1. Vær forsiktig dersom en vifte med utvendig avløp benyttes i samme rom som en brenner eller en ovn som ikke går på elektrisk strøm, da viften trekker ut luften brennernen eller ovnen trenger til forbereningen. Det negative trykket i rommet må ikke overstige 4 Pa (4x10<sup>-5</sup> bar). For sikker bruk må man derfor sørge for tilstrekkelig ventilasjon av lokalet. Avtrekket skal utføres i henhold til gjeldende forskrifter.

#### Før modellen kobles til det elektriske systemet:

- Kontroller typeskiltet (befinner seg inni apparatet) for å kontrollere at spenning og styrke er i samsvar med strømmettet og at forbindelseskontakten er egnet. Er du i tvil ta kontakt med en kvalifisert elektriker.

- Dersom strømledningen er ødelagt, må denne byttes ut med en kabel eller en spesialenhet som kan skaffes hos produsenten eller serviceavdelingen til produsenten.

- Koble anordningen til strømtilførselen ved hjelp av et støpsele med sikring 3A eller til de to ledningene til bifasen beskyttet av en sikring 3A.

#### 2. Advarsel!

**I noen situasjoner kan elektriske apparater utgjøre en fare. A) Ikke kontrollere filterens tilstand mens avtrekket er i bruk.**

**B) Ikke berør lyspærene eller de nærliggende områdene under eller rett etter lengre bruk av belysningsanlegget.**

**C) Det er forbudt å steke mat med flammer under avtrekket.**

**D) Unngå åpen ild, siden den skader filterene og kan medføre brann.**

**E) Hold frytirsteking av mat konstant under kontroll, for å unngå at oljen tar fyr.**

**F) Trekk ut støpselet fra stikkkontakten før du foretar vedlikeholdsarbeid.**

**G) Apparatet er ikke ment til brukes av barn eller ikke selvstendige personer uten overvåking.**

**H) Overvåk barna for å være sikre på at de ikke leker med ovnen.**

**I) Når avtrekket benyttes samtidig med apparater som brenner gass eller andre brennstoffer, må rommet være passende utluftet.**

**L) Hvis rengjøringsinngrepene ikke utføres i samsvar med anvisningene, er det fare for at det kan oppstå en brann.**

Dette apparatet er merket i samsvar med det europeiske direktivet EC/96/2002, "Waste Electrical and Electronic Equipment" (WEEE). Ved å forsikre seg om at dette produktet blir avstøpt på korrekt måte vil brukeren bidra til å hindre potensielt negative effekter for miljø og helse.



Symbolet på produktet, eller i den medfølgende dokumentasjonen viser til at dette produktet ikke må behandles som husholdningsavfall, men må leveres inn til spesialinnsamling for elektriske og elektroniske produkter for resirkulering. Man må kvitte seg med apparatet slik lokale regler for avsetting og resirkulering tilsier. For nærmere informasjon om behandling, gjenvinning og resirkulering av dette produktet må man kontakte det lokale avfallsselskap, offentlig kontor med ansvar for søppelinnsamling eller butikken der produktet ble kjøpt.

### INSTALLASJONSVEILEDNING

• **Montering og elektriske koblinger må utføres av kvalifisert personale.**

• **Bruk vernehansker under monteringsarbeidet.**

#### • Elektrisk tilkobling:

Apparatet er fremstilt i klasse II, ingen leder skal derfor kobles til jord. Støpselet må være lett tilgjengelig etter installasjon av apparatet. Hvis apparatet er utstyrt med en strømledning uten støpsele, må en omnipolar bryter i passende størrelse med 3 mm minimum åpning mellom kontaktene festes mellom apparatet og strømforsyningen i overensstemmelse med lasten og strømforskriftene. Tilkobling til strømmettet utføres på følgende måte:  
BRUN = L strømførende  
BLÅ = N nulleleder.

• Avstanden fra støtteoverflaten hvor kokekarene står på kokeoverflaten og laveste punkt på kjøkkenhetten må være minst **65 cm**.

Dersom det benyttes en avtrekkskanal bestående av to eller flere deler, skal den øvre delen tres utenpå den nedre. Koble ikke ventilatoravtrekket til et rør der det passerer varmluft eller røyk fra apparater som ikke går på strøm.

Ta ut det/de fetthemende filteret/filterene (Fig.5) før du begynner med monteringen. Dette gjør det lettere å manøvrere apparatet.

- I anledning montering av apparatet i avtrekksversjon, forbered på forhånd hullet for luftevakuering.

• Det anbefales å bruke et lufttømmerrør med samme diameter som veggventilens munning. Bruk av et reduksjonsrør kan forringe produktets ytelse og øke støyen.

#### • Festing til vegg

Borr hullene **A** i den størrelsen som er indikert (Fig.2). Fest apparatet på vegg horisontalt i høyde med overskapene. Når det er riktig regulert, fest kappen godt ved hjelp av de 2 skruene **A** (Fig.4). Ta i bruk skruer og plugg som passer til vegg hvor apparatet skal monteres (f.eks. betong, gipsplater, etc). Om skruer og plugg følger med produktet, forsikre deg om at de passer til vegg hvor kappen skal monteres.

### • Festing av de dekorative teleskopiske rørene

Ordne det slik at de elektriske ledningene går innvendig i det dekorative røret. Om apparatet ditt skal installeres i avtrekksversjon eller i versjon med ekstern motor, lag i stand hullet for utsuging av luft. Reguler bredden på det øverste rørets støttearm (Fig.3). Fest den deretter med skruene **A** (Fig.3) til taket slik at den er i akse med kappen. Pass på at den gitte avstanden fra taket, i Fig.2, blir overholdt. Kople kraven **C** til hullet for utsuging av luft ved hjelp av et rør (Fig.4). For det øverste røret inn i det nederste røret. Fest det nederste røret til kappen ved å bruke skruene **B** som følger med (Fig.4), trekk ut det øverste røret helt til støttearmen, og fest det med skruene **B** (Fig.3). For å skifte fra avtrekksversjon til filterversjon, spør forhandleren din etter filtre i aktivt karbon og følge monteringsanvisningene.

### • Filterversjon

Installer kappen og de to rørene slik som vist i paragrafen for montering av avtrekkskappen. Når du skal montere filterrøret, følg anvisningene som du finner i settet. Om settet ikke følger med, kan du bestille det hos din forhandler som tilleggsutstyr. Filtrene må festes til inhaleringsgruppen som befinner seg inni viften. De sentraliseres til denne og dreies 90 grader inntil utløsning av stansmekanismen (Fig.6).

## BRUK OG VEDLIKEHOLD

• Vi anbefaler at kjøkkenviften slås på før du tilbereder mat. Vi anbefaler også at apparatet får stå på i 15 minutter etter at maten er ferdig, slik at all forurenset luft elimineres. Den effektive ytelsen til kjøkkenviften avhenger av stadig vedlikehold; antifettfilteret og det aktive karbonfilteret krever begge ekstra vedlikehold.

• **Antifettfilteret** brukes til å samle opp alle fettpartikler som finnes i lufta, og dermed er det utsatt for metning (tiden det tar for at filteret blir fullt avhenger av måten apparatet brukes på).

- For å unngå fare for brann, må man vaske fettfiltrene minst hver 2. måned for hånd med et mildt, ikke-slipende flytende vaskemiddel eller i oppvaskmaskin ved lave temperaturer og korte sykluser.

- Etter noen vask, kan faregendinger forekomme. Dette gir ikke rett til erstatning.

• **Aktive kullfilter** brukes for å rense luften som sendes ut i rommet igjen og har som funksjon å dempe lukten som oppstår ved matlaging.

- Aktive kullfilter som ikke kan regenereres må byttes må byttes ut minst hver 4.måned. Metningsnivået til kullfilteret avhenger av brukshyppigheten til apparatet, typen matlaging som utføres og hvor regelmessig antifettfiltrene rengjøres.

- Aktive kullfilter som kan regenereres må vaskes for hånd med et mildt, ikke-slipende flytende vaskemiddel eller i oppvaskmaskin på maks 65°C (hele vaskesyklusen må utføres uten servise). Fjern overflødig vann uten å skade filteret, fjern delene i plast, og la matten tørke i ovnen i minst 15 minutter med en temperatur på maks 100 °C. For å beholde funksjonen til kullfilteret som kan regenereres må denne operasjonen gjentas hver 2. måned. Disse må byttes minst hvert 3. år eller når matten er skadet.

• **Før man setter på plass fettfiltrene og de aktive kullfilterne er det viktig at disse er helt tørre.**

• **Rengjør kjøkkenviften ofte, både på innsiden og utsiden, ved bruk av en klut som er fuktet i denaturisert alkohol eller nøytralt flytende vaskemiddel uten skureeffekt.**

• Belysningsanlegget er prosjektert for bruk under matlaging

og ikke for lengre opplysning av rommet.

Forlenget bruk av belysningen minsker varigheten av lyspærene betraktelig.

• Dersom apparatet er utstyrt med **innvendig lys** kan dette brukes over lenger tid for en generell belysning i rommet.

• **Advarsel:** hvis man ignorerer advarslene som gjelder rengjøring av hetten og bytte og rengjøring av filter kan forårsake brann. Det anbefales derfor å følge disse instruksjonene.

### • Bytting av LED lamper (Fig.7):

Hvis apparatversjonen er utstyrt med **LED** lamper, må disse byttes ut av en faglært tekniker.

### • Utskifting av halogene lyspærer (Fig.8):

For å skifte ut de halogene lyspærene **B** ta av glasset **C** ved å trykke på hakkene.

Skifte ut med lyspærer av samme type.

**Advarsel:** ikke ta på lyspærene med bare hender.

### • Bytte ut lyspærer/halogenpærer (Fig.9):

Bruk kun pærer som er av samme type og styrke som den som er på apparatet.

• **Kontroller (Fig.10) mekaniske** benyttes følgende symboler:

**A** = tast for BELYSNING

**B** = tast for OFF (AV)

**C** = tast for FØRSTE HASTIGHET

**D** = tast for ANNEN HASTIGHET

**E** = tast for TREDJE HASTIGHET.

• **Kontroller med lys (Fig.11)** benyttes følgende symboler:

**A** = tast for BELYSNING

**B** = tast for OFF (AV)

**C** = tast for FØRSTE HASTIGHET

**D** = tast for ANNEN HASTIGHET

**E** = tast for TREDJE HASTIGHET

**F** = tast TIDSUR AUTOMATISK STOPP 15 minutter (\*)

Hvis apparat er utstyrt med funksjonshastigheten **INTENSIV**, trykker man på tast **E** i 2 sekunder under fra TREDJE hastighet, slik at den aktiveres i 10 minutter før den går tilbake til forrige innstilte hastighet.

LED blinker når funksjonen er aktivert.

For å avbryte funksjonen før det har gått 10 minutter, trykker man en til gang på **E**.

På enkelte modeller er det også mulig å aktivere funksjonen fra første og andre hastighet.

Ved å trykke på tasten **F** i 2 sekunder (når viften er avslått), aktiveres funksjonen "**clean air**".

Denne funksjonen gjør at motoren startes i 10 minutter hver time på laveste hastighet.

Med en gang funksjonen aktiveres, starter motoren på laveste hastighet og varer i 10 minutter. I disse 10 minuttene blinker både tasten **F** og tasten **C**. Etter disse 10 minuttene stopper motoren og lyset til tasten **F** forblir påslått inntil motoren starter igjen etter 50 minutter. Da begynner lysene til **F** og **C** å blinke igjen i 10 minutter osv.

Ved å trykke på en hvilken som helst tast, bortsett fra den for lyset, går avtrekkskappen tilbake til normal funksjon (f. eks. hvis man trykker på tast **D** deaktiveres funksjonen "**clean air**" og motoren stilles inn på 2<sup>o</sup> hastighet; ved å trykke på tast **B** deaktiveres funksjonen).

(\*) Med funksjonen "**TIDSUR AUTOMATISK STOPP**" utsettes stans av ventilatoren, som vil fortsette å gå i 15 minutter på samme hastighet som da funksjonen ble aktivert.



## INFORMACJE OGÓLNE

• **Overmetning av aktivt-karbonfilteret/avfettingsfilteret:**

-Når tasten **A** blinker med en frekvens på **2 sek.**, er det nødvendig å gjøre rent avfettingsfiltrene.

-Når tasten **A** blinker med en frekvens på **0,5 sek.** må de aktive kullfiltrene rengjøres eller byttes ut avhengig av type filter. Deretter settes det rene filteret tilbake på plass, og man stiller så tilbake minnet ved å trykke på tast **A** i ca **5 sekunder**, helt til det slutter å blinke.

• **Kontroller (Fig.12):**

**Tast A** = Lys på/av.

**Tast B** = Ventilator på/av. Apparatet starter på 1. hastighet. Dersom ventilatoren er på, trykker man 2 sekund på knappen for å slå den av. Dersom ventilatoren befinner seg på 1. hastighet er det ikke nødvendig å holde knappen inne for å slå den av. Motorhastighet reduseres.

**Display C** = Indikerer den valgte motorhastigheten og aktivering av tidsur.

**Tast D** = Starter ventilatoren. Øker motorens hastighet. Ved å trykke på tasten fra 3. hastighet vil intensiv-funksjonen aktiveres i 10 minutter. Deretter vil apparatet gjenoppta den normale hastigheten det gikk på da funksjonen ble aktivert. Displayet vil blinke så lenge funksjonen er aktivert.

**Tast E** = Tidsbryteren bryter av funksjonene etter en bestemt tid, etter at denne er blitt aktivert vil funksjonene slå seg av etter 15 minutter. Tidsbryteren vil bli deaktivert ved å trykke en gang til på tast **E**. Når tidsbryterfunksjonen er aktiv vil man på skjermen se desimalpunktet som blinker. Dersom intensiv hastighet er på kan ikke tidsavbrudd aktiveres.

Ved å trykke på tast **E** i 2 sekunder med avslått apparat vil funksjonen "**clean air**" aktiveres.

Denne funksjonen slår på motoren i 10 minutter hver time, ved laveste hastighet.

Under bruk må skjermen vise rotasjonsbevegelsen til de ytre segmentene. Når denne tiden er gått, vil motoren slå seg av og man vil på skjermen kunne se bokstaven "**C**" lyse, helt til motoren starter opp igjen etter 50 minutter for å være i virksomhet 10 minutter til. For å gå tilbake til normal funksjon trykk på en hvilken som helst tast med unntak av lystastene. For å deaktivere funksjonen trykk på tasten **E**.

• **Overmetning av aktivt-karbonfilteret/avfettingsfilteret:**

-Når man skjermen **C** ser at bokstaven **F** blinker, med vekslende hastighet, (f.eks.1 og **F**) må fettfiltrene rengjøres.

-Når display **C** blinker og viser vekselvis nivået for utsugnings-effekt og bokstaven **A** (eks.1 og **A**) må de aktive kullfiltrene rengjøres eller byttes ut avhengig av type filter.

Etter at det rene filteret er plassert riktig, skal det elektroniske minnet tilbakestilles ved å trykke på knappen **A** i ca. **5 sekunder**, inntil indikasjonen **F** eller **A** som vises på displayet **C** slutter å blinke.

• **Mekaniske kommandoer (Fig.13) :** forklaring av symboler:

**A**= tast for LYS / ON-OFF

**B**= tast for OFF / FØRSTE HASTIGHET

**C**= tast for ANDRE HASTIGHET

**D** = tast for TREDJE HASTIGHET

Hvis hetten slukkes når den er plassert på første, andre eller tredje hastighet, vil den starte ved samme hastighet når den slås på igjen.

**PRODUSENTEN FRASKRIVER SEG ETHVERT ANSVAR FOR SKADER SOM SKYLDES AT OVENNEVNTE RETNINGSLINJER IKKE ER BLITT FULGT.**

Należy zapoznać się dokładnie z niniejszym tekstem, zawierającym wskazówki, dotyczące bezpieczeństwa przy instalacji, eksploatacji i konserwacji okapu kuchennego. Należy zachować niniejsze instrukcje także dla późniejszych konsultacji. Urządzenie zostało zaprojektowane w wersji zasysającej (odprowadzanie powietrza na zewnątrz – Rys.1B), filtrującej (recyrkulacja powietrza wewnątrz – Rys.1A) lub z silnikiem zewnętrznym (Rys.1C).

## UWAGI O BEZPIECZEŃSTWIE

1. Nie należy używać jednocześnie okapu kuchennego i paleniska lub kominka zależnych od powietrza w pomieszczeniu i niezasilanych energią elektryczną, ponieważ okap zużywa powietrze potrzebne do ich spalania. Ciśnienie ujemne w pomieszczeniu nie powinno przekraczać 4 Pa ( $4 \times 10^{-5}$  bar). Należy więc zadbać o prawidłową wentylację w pomieszczeniu, konieczną dla bezpiecznego funkcjonowania urządzenia. Przy odprowadzaniu dymu na zewnątrz, należy przestrzegać norm obowiązujących w waszym kraju.

**Przed podłączeniem modelu do sieci elektrycznej:**

- Skontrolować tabliczkę znamionową (znajdującą się wewnątrz urządzenia) aby upewnić się, że napięcie i moc są odpowiednie dla danej sieci i, że gniazdo wtykowe połączenia jest odpowiednie. W przypadku wątpliwości zwrócić się do wykwalifikowanego elektryka.

- Jeśli przewód zasilana jest uszkodzony powinien zostać wymieniony na przewód lub specjalny zespół dostępny u producenta lub u jego obsługi technicznej.

- Podłączyć urządzenie do gniazda zasilającego poprzez wtyczkę z bezpiecznikiem topikowym 3A lub dwupolowym przewodem z bezpiecznikiem topikowym 3A.

**2. Uwaga!**

**W niektórych sytuacjach urządzenia elektryczne mogą stanowić zagrożenie.**

**A) Nie kontrolować stanu filtrów, gdy okap jest włączony.**

**B) Nie dotykać lamp lub stref przyległych podczas lub zaraz po przedłużonym używaniu oświetlenia.**

**C) Zabronione jest gotowanie potraw na ogniu pod okapem.**

**D) Należy unikać wolnego ognia, ponieważ uszkadza filtry i może spowodować pożar.**

**E) Należy stale kontrolować gotowane potrawy, aby uniknąć zapalenia wrzącego oleju.**

**F) Wyjąć wtyczkę z gniazdka przed przystąpieniem do konserwacji.**

**G) Urządzenie nie jest przeznaczone do używania przez dzieci lub niezdolne osoby bez nadzoru.**

**H) Należy pilnować dzieci, aby upewnić się, że nie bawią się urządzeniem.**

**I) Jeśli okap zostanie użyty jednocześnie z urządzeniami spalającymi gaz lub inne paliwa należy pamiętać o zagwarantowaniu dobrej wentylacji pomieszczenia.**

**L) Jeśli czynności związane z czyszczeniem nie zostaną wykonane zgodnie z instrukcjami, istnieje zagrożenie wywołania pożaru.**

Niniejsze urządzenie oznaczone jest zgodnie z dyrektywa europejska 2002/96/EC, Waste Electrical and Electronic Equ-

ipment (WEEE). Upewnij się, że niniejszy produkt zostanie zutylizowany we właściwy sposób, użytkownik przyczynia się do ochrony przed potencjalnymi konsekwencjami negatywnymi dla środowiska i zdrowia.



Towarzyszący mu wskazuje, że produkt ten nie powinien być traktowany jako odpad domowy, lecz powinien być przekazany w stosownym punkcie zbiórki w celu odzyskania urządzeń elektrycznych i elektronicznych. Pozbywać się go zgodnie z miejscowymi normami w zakresie utylizacji odpadów. Dla uzyskania dodatkowych informacji na temat traktowania, odzyskiwania i recyklingu tego produktu, należy skontaktować się z odpowiednim lokalnym biurem, służbą odpadów domowych lub ze sklepem, w którym produkt został zakupiony.

## INSTRUKCJE DO INSTALACJI

**• Czynności montażu i podłączenia elektrycznego powinny być dokonane przez wyspecjalizowany personel.**  
**• Przed przystąpieniem do czynności montażowych założyć rękawice ochronne.**

### • Podłączenie elektryczne:

Urządzenie skonstruowane jest według klasy II, dlatego przewody nie muszą być uziemione.

Wtyczka musi być łatwo dostępna po instalacji urządzenia. W przypadku, gdy urządzenie wyposażone jest w kabel bez wtyczki, w celu jego podłączenia należy umieścić pomiędzy urządzeniem a siecią wyłącznik wielobiegunowy z minimalnym otwarciem między stykami wynoszącym 3 mm, przystosowany do obciążenia i zgodny z obowiązującymi normami. Podłączenie do sieci elektrycznej powinno być przeprowadzone następująco:

BRĄZOWY = L linia

BŁĘKITNY = N zerowy.

• Minimalna odległość między płaszczyzną nośną naczyń urządzenia kuchennego i najniższą częścią okapu kuchennego powinna wynosić przynajmniej **65 cm**. Przy zastosowaniu rury łączącej składającej się z dwóch lub kilku części, część górna rury musi znajdować się wewnątrz części dolnej. Nie należy łączyć przewodu wyciągowego okapu z przewodem, w którym krąży gorące powietrze lub z przewodem przeznaczonym do odprowadzania dymu z urządzeń zasilanych energią inną niż energia elektryczna. Przed przystąpieniem do montażu, należy wyłączyć filtr (Rys.5) w celu łatwiejszego manipulowania urządzeniem.

- W przypadku montażu urządzenia w wersji ssącej przygotować otwór odprowadzenia powietrza.

• Sugeruje się, aby używać przewodu do oprowadzania powietrza o takiej samej średnicy jak otwór wylotowy. Używanie przewężenia może zmniejszyć sprawność produktu i zwiększyć hałas.

### Montaż na ścianie

wywiercić otwory **A** uwzględniając podane wielkości (Ryc.2). Umocować urządzenie na ścianie i ustawić w poziomie za pomocą zawieszek. Następnie przymocować okap za pomocą dwóch śrub **A** (Ryc.4).

W zależności od montażu użyć śrub i kołków odpowiednich dla danego rodzaju muru (np. żelbeton, płyta kartonowo-gipsowa, itp.). W przypadku gdy śruby i kołki wchodzi w skład zestawu, należy upewnić się, że są one odpowiednie dla rodzaju ściany, na której ma być zamocowany okap.

### Montaż teleskopowych złączek ozdobnych

Przed założeniem złączki ozdobnej zamontować zasilanie elektryczne. Jeśli urządzenie instalowane jest w wersji zasysającej lub w wersji z silnikiem zewnętrznym należy najpierw zamontować otwór odprowadzający powietrze. Ustawić szerokość podpory górnej złączki (Ryc.3).

Następnie przymocować podporę do sufitu za pomocą śrub z uwzględnieniem odległości wskazanej na ryc. 2 w taki sposób, aby była równoległa do okapu **A** (Ryc.3). Przyłączyć kołnierz **C** do otworu odprowadzającego powietrze za pomocą rury łączącej (Ryc.4).

Umieścić górną złączkę wewnątrz dolnej. Przymocować dolną złączkę do okapu używając śrub **B** (w zestawie) (Ryc.4), naciągnąć górną złączkę aż do skrzynki i zamocować za pomocą śrub **B** (Ryc.3).

Aby przekształcić okap z wersji zasysającej w wersję filtrującą, należy zakupić filtry z węgla aktywnego i postępować według instrukcji montażu.

### Wersja filtrująca

Zainstalować okap i dwie złączki według instrukcji montażu okapu w wersji zasysającej. Aby zainstalować złączkę filtrującą, należy kierować się instrukcjami zawartymi w podręcznym zestawie narzędzi. Jeśli tego zestawu nie ma w komplecie, należy zamówić go u sprzedawcy jako akcesoria. Filtry powinny być założone na zespół ssący znajdujący się wewnątrz okapu w pozycji centralnej i obracając je o 90 stopni aż do momentu zaskoczenia blokującego (Fig.6).

## EKSPLOATACJA I KONSERWACJA

• Zaleca się uruchomienie urządzenia przed przystąpieniem do gotowania jakiegokolwiek potrawy. Zaleca się, aby nie wyłączać urządzenia przez około 15 minut po zakończeniu gotowania potraw w celu całkowitego usunięcia nieświeżego powietrza. Prawidłowe działanie okapu uwarunkowane jest prawidłową i regularną konserwacją; szczególną uwagę należy zwrócić na filtr przeciwtluszczowy oraz na filtr z węglem aktywnym.

• **Filtr przeciwtluszczowy** ma za zadanie zatrzymywanie cząstek tłuszczu zawieszonych w powietrzu, dlatego narażony jest na zatkanie, które może nastąpić w różnym czasie, zależnie od eksploatacji urządzenia.

- Aby zapobiec ewentualnemu ryzyku pożaru, maksymalnie co 2 miesiące należy ręcznie myć filtry przeciwtluszczowe, używając płynnych neutralnych nie ściernych środków czyszczących lub też myć je w zmywarce przy niskiej temperaturze i krótkich cyklach mycia.

- Po kilku umyciach, ich kolor może się zmienić. Nie stanowi to powodu do reklamacji w celu ewentualnej wymiany.

• **Filtry z węglem** aktywnym służą do oczyszczania powietrza, które jest wypuszczane do otoczenia oraz zatrzymują nieprzyjemne zapachy powstające podczas gotowania.

- Filtry z węglem aktywnym nieregenerowane muszą być wymieniane maksymalnie co 4 miesiące. Nasycenie węgla aktywnego zależy od przedłużonego lub nie użycia urządzenia, rodzaju kuchni oraz częstotliwości czyszczenia filtra przeciwtluszczowego.

- Filtry z węglem aktywnym regenerowane muszą być myte ręcznie, neutralnymi nie ściernymi środkami myjącymi lub w zmywarce w maksymalnej temperaturze 65°C (cykl mycia musi być całkowity bez naczyni). Usunąć nadmiar wody uważając aby nie uszkodzić filtra, zdjąć plastikowe części i wysuszyć poduszkę w piekarniku przez około 15 minut w maksymalnej temperaturze 100°C.

Aby utrzymać skuteczność filtra węglowego regenerowanego, taka czynność musi być powtarzana co 2 miesiące.

Muszą być one wymieniane maksymalnie co 3 lata lub, gdy poduszka zostanie uszkodzona.

• **Przed ponownym zamontowaniem filtrów przeciw-tłuszczowych i filtrów z węglem aktywnym regenerowanych muszą być one dokładnie wysuszone.**

• **Często myć okap, zarówno wewnątrz, jak i na zewnątrz, przy pomocy szmatki zwilżonej denaturatem lub neutralnym środkiem myjącym w płynie, nie ściernym.**

• Instalacja oświetleniowa zaprojektowana jest do użytkowania podczas gotowania, a nie do długotrwałego użycia jako oświetlenie główne pomieszczenia. Przedłużone użytkowanie oświetlenia zmniejsza znacząco średnią trwałość żarówek.

• Jeżeli urządzenie jest wyposażone w oświetlenie otoczenia, może być ono używane przez dłuższe okresy jako ogólne oświetlenie.

• **Uwaga:** nieprzestrzeganie wskazówek dotyczących czyszczenia okapu i wymiany oraz czyszczenia filtrów powoduje ryzyko pożaru. Dlatego też, zaleca się przestrzeganie podanych instrukcji.

#### • Wymiana lampek LED (Rys.7):

Jeżeli wersja urządzenia posiada lampki LED, w celu ich wymiany konieczna jest interwencja wyspecjalizowanego technika.

#### • Wymiana lamp halogenowych (Rys.8):

Aby wymienić lampy halogenowe **B** ściągnąć szkiełko **C** wykorzystując do tego odpowiednie otwory.

Wymień lampy na takie same.

**Uwaga:** nie dotykać lampy gołą ręką.

#### • Wymiana lampek żarówek/halogenów (Rys.9):

Używać jedynie lampek tego samego rodzaju oraz mocy Wat, jak te umieszczone w urządzeniu.

• **Układ sterowania: Stery mechaniczne (Rys.10)** znaczenie symboli jest następujące:

**A** = przycisk OŚWIETLENIE

**B** = przycisk WŁĄCZENIE

**C** = przycisk PIERWSZA PRĘDKOŚĆ

**D** = przycisk DRUGA PRĘDKOŚĆ

**E** = przycisk TRZECIA PRĘDKOŚĆ.

• **Układ sterowania (Rys.11)** Stery świetlne znaczenie symboli jest następujące.

**A** = przycisk OŚWIETLENIE

**B** = przycisk WŁĄCZENIE

**C** = przycisk PIERWSZA PRĘDKOŚĆ

**D** = przycisk DRUGA PRĘDKOŚĆ

**E** = przycisk TRZECIA PRĘDKOŚĆ

**F** = przycisk REGULATOR CZASOWY AUTOMATYCZNEGO WYŁĄCZENIA po 15 minutach (\*)

Jeżeli Wasze urządzenie jest wyposażone w funkcję prędkości **INTENSYWNA**, począwszy od TRZECIEJ prędkości i przytrzymując wciśnięty przez 2 sekundy klawisz **E**, zostanie ona uaktywniona na 10 minut, a następnie powróci do wcześniej ustawionej prędkości.

Gdy funkcja jest aktywna LED miga.

Aby przerwać ją przed upływem 10 minut, ponownie nacisnąć na **E**.

W przypadku niektórych modeli, można uaktywnić funkcję również na pierwszej i drugiej prędkości.

Przyciskając przycisk **F** przez 2 sekundy (przy wyłączonym okapie) włącza się funkcja "clean air". Ta funkcja powoduje włączenie silnika przez 10 minut co godzinę na pierwszej prędkości. Jak tylko ta funkcja jest włączona silnik włącza się

na 1° prędkość na okres 10 minut podczas tych minut powinny migać jednocześnie przycisk **F** i przycisk **C**. Po upływie tego czasu silnik się wyłącza i LED przycisku **F** świeci się stałym światłem aż do momentu gdy po upływie następnych 50 minut ponownie włącza się silnik na pierwszą prędkość i LED **F** i **C** ponownie migają przez 10 minut i dalej w ten sam sposób. Naciskając na jakikolwiek klawisz z wyjątkiem światelek, okap powróci do normalnego funkcjonowania (np. jeżeli zostanie wciśnięty klawisz **D** zostanie dezaktywowana funkcja "clean air" i silnik będzie ustawiony na 2ej prędkości; naciskając na klawisz **B** funkcja zostanie dezaktywowana).

(\*) Funkcja "REGULATOR CZASOWY WYŁĄCZENIA AUTOMATYCZNEGO" opóźni wyłączenie okapu, który będzie funkcjonował przez 15 minut wg regulacji prędkości, jaką posiadał w momencie włączenia takiej funkcji.

• **Nasylenie filtrów przeciw-tłuszczowych/z węgla aktywnego:**

-Kiedy przycisk **A** pulsuje z częstotliwością **2 sec**. Filtry **przeciw-tłuszczowe** wymagają przemycia.

-Gdy przycisk **A** miga z częstotliwością **0,5 sec**. oznacza to, że filtry z węglem aktywnym muszą być wymyte lub wymienione, w zależności od ich rodzaju.

Po ponownym założeniu czystego filtra należy zresetować pamięć elektroniczną wduśając przycisk **A** przez około **5 sec**. aż ustanie pulsowanie.

#### • Wyświetlacz (Rys.12):

**Przycisk A** = Przycisk włączający/wyłączający oświetlenie

**Przycisk B** = Przycisk włączający/wyłączający urządzenie.

Okap wŕczy się przy 1 prędkości. Przy urządzeniu wŕczonym, naciskając przycisk przez 2 sekundy, nastąpi wŕczenie okapu. Jeżeli urządzenie pracuje przy pierwszej prędkości, aby wyłączyć okap, nie jest konieczne naciśnięcie przycisku. Silnik będzie pracował przy zmniejszonych obrotach.

**Wyświetlacz C** = Wskazuje wybraną prędkość i informuje, czy został włączony licznik czasu.

**Przycisk D** = Uruchamia okap. Naciskając taki przycisk nastąpi wzrost prędkości. Naciskając przycisk urządzenie z trzeciej prędkości przejdzie w intensywny tryb pracy, który będzie trwał ok. 10 sekund, po czym wróci do funkcjonowania przy wybranej poprzednio prędkości. W czasie uruchomienia takiej funkcji, wyświetlacz zapali się światłem migającym.

**Przycisk E** = Il Timer reguluje czasowo funkcję, w chwili włączenia, przez 15 minut po ich wyłączeniu. Il Timer wyłącza się ponownym wciśnięciem przycisku **E**. Kiedy funkcja Timer jest włączona to na wyświetlaczu dziesiąta pozycja ma migać. Jeżeli włączona jest prędkość intensywna wówczas Timer nie można włączyć.

Wciśnięciem przycisku **E** na 2 sekundy, gdy urządzenie jest włączone, włącza się funkcję "clean air". Włączy się wówczas silnik co godzinę na 10 minut przy pierwszej prędkości. Podczas funkcjonowania obrotowy ruch perferyjnych segmentów. Po tym czasie silnik wyłączy się i na wyświetlaczu ukaże się litera "C" świecąca się w sposób ciągły przez następne 50 minut, po czasie którym silnik włączy się i tak dalej. Aby powrócić do normalnego funkcjonowania nacisnąć jakikolwiek przycisk z wyjątkiem przycisku oświetlenia. Aby dezaktywować funkcję, nacisnąć na przycisk **E**.

• **Nasylenie filtrów przeciw-tłuszczowych/z węgla aktywnego:**

-Kiedy wyświetlacz **C** miga zmieniając prędkość pracy na literę **F** (es.1 e **F**) filtry przeciw-tłuszczowe mają być umyte.

-Gdy wyświetlacz **C** miga zmieniając prędkość pracy z literą **A**



(np.: 1 i A) filtry z węglem aktywnym muszą być wymienione lub umyte lub wymienione w zależności od ich rodzaju. Po umieszczeniu czystego filtra należy wyzerować elektroniczną pamięć naciśnięciem przycisku **A** na około **5 sekund** aż do momentu, kiedy sygnalizator świetlny **F** lub **A** na wyświetlaczu **C** przestanie migać.

• **Przyciski kontrolne (Rys. 13)**: poniżej podajemy znaczenie symboli:

- A**= przycisk LUCE / ON-OFF (ŚWIATŁO / ON-OFF)
- B**= przycisk OFF / PRIMA VELOCITA' (OFF / PIERWSZA SZYBKOŚĆ)
- C**= przycisk SECONDA VELOCITA' (DRUGA SZYBKOŚĆ)
- D**= przycisk TERZA VELOCITA' (TRZECIA SZYBKOŚĆ)

Jeżeli okap został wyłączony na pierwszej, drugiej lub trzeciej szybkości, to w chwili ponownego jego włączenia będzie on działał zgodnie z szybkością pracy ustawioną w chwili wyłączenia.

**DOSTAWCA UCHYLA SIĘ OD WSZELKIEJ ODPOWIEDZIALNOŚCI ZA EWENTUALNE USTERKI, SPOWODOWANE NIEPRZESTRZEGANIEM WYŻEJ WYMIENIONYCH WSKAZÓWEK.**

**ROMANIA**

**R**

## DESCRIERE GENERALĂ

Citiți cu atenție instrucțiunile de siguranță, utilizare și întreținere cuprinse în acest manual. Păstrați cu grijă manualul de utilizare; pe viitor vă poate folosi. Acest aparat a fost proiectat în trei variante: aspirantă (cu evacuarea aerului la exterior, vezi Fig. 1B), filtrantă (recirculația aerului în interior, vezi Fig. 1A) sau cu un motor extern (vezi Fig. 1C).

## INSTRUCȚIUNI DE SIGURANȚĂ

1. Dacă dispuneți de o centrală termică sau de o altă sursă de încălzire care folosește, pentru combustie, aerul din încăpere, aveți grijă să nu funcționeze împreună cu hota, deoarece aceasta absoarbe aerul. Presiunea negativă din încăpere nu trebuie să depășească 4 pascali (4 x 10<sup>-5</sup> bari). Pentru a garanta o funcționare corectă, asigurați-vă că ventilația din încăpere este adecvată. În ceea ce privește evacuarea aerului în mediul înconjurător, respectați normele naționale în vigoare.

### Înainte de conectarea modelului la rețeaua electrică:

- Controlați plăcuța cu instrucțiile (pusă în interiorul aparatului) pentru a vă asigura că tensiunea și energia să fie corespunzătoare acelei de la rețea și priza să fie potrivită. Dacă aveți nelămuriri întrebați pe un electricist calificat.
- În cazul în care cablul este deteriorat, acesta trebuie să fie înlocuit cu un cablu (sau cu un ansamblu) special; pentru aceasta, apălați la fabricant sau la serviciul de asistență tehnică.
- Racordați hota la rețeaua de alimentare, printr-un ștecăr cu siguranță fuzibilă de 3A sau la cele două fire ale rețelei bifazice protejate de o siguranță fuzibilă de 3A.

### 2. Atenție!

**În anumite situații, aparatele electrice pot reprezenta un pericol.**

- A) Nu controlați starea filtrelor în timp ce hota este în funcțiune.**
- B) Nu atingeți becurile sau zonele apropiate în timpul sau imediat după folosirea îndelungată a instalației de**

**iluminat.**

**C) Nu frigeți alimentele direct pe flacără, dacă hota este în funcțiune.**

**D) Evitați flăcările deschise, deoarece deteriorează filtrele și pot provoca incendii.**

**E) Dacă prăjiți în ulei, nu vă îndepărtați de aragaz, deoarece uleiul fierbinte poate lua foc.**

**F) Deconectați șteccherul de la priza de curent înainte de a efectua întreținerea.**

**G) Aparatul nu este destinat folosirii de către copii sau de către persoane incapabile fără supraveghere.**

**H) Supravegheați copiii, pentru a fi siguri că nu se joacă cu aparatul.**

**I) Când hota este folosită în același timp cu alte aparate care ard gaze sau alte combustibile, încăperea trebuie să fie ventilată corespunzător.**

**L) Dacă operațiunile de curățare nu sunt efectuate cu respectarea instrucțiunilor, există riscul producerii unui incendiu.**

Acest aparat este contrasemnat în conformitate cu Directiva Europeană 2002/96/EC, referitoare la "Waste Electrical and Electronic Equipment (WEEE)". Asigurându-vă că acest produs este scos din uz în mod corect, dv ca utilizator contribuiți la prevenirea puterinelor consecințe negative asupra mediului înconjurător și asupra sănătății.



Simbolul aplicat pe produs sau pe documentația de însoțire a acestuia vă arată că aparatul trebuie să fie tratat separat de deșeurile casnice; în acest scop el va trebui să fie încredințat unui centru de colectare adecvat, destinat reciclării aparatelor electrice și electronice. Scoaterea din uz a acestor produse este deci supusă normelor locale în materie de tratare a deșeurilor. Pentru informații ulterioare cu privire la tratarea, recuperarea sau reciclarea acestui produs, apălați la biroul local competent, la serviciul de colectare a deșeurilor casnice sau la magazinul de unde ați achiziționat aparatul.

## INSTRUCȚIUNI DE MONTAJ

- **Toate operațiunile de montaj și conectare electrică trebuie să fie efectuate de personal specializat.**
- **Utilizați mănuși de protecție înainte de a începe operațiunile de montare.**

### • Conexiunea electrică:

Hota intră în clasa de construcție II; de aceea, nu este necesar să o conectați la împământare. Ștecărul trebuie să fie ușor accesibil după instalarea aparatului. În cazul în care aparatul este prevăzut cu cablu fără ștecăr, pentru a-l conecta la rețeaua electrică este necesară interpunerea între aparat și rețea a unui întrerupător omnipolar cu deschiderea minimă între contacte de 3 mm, dimensionat la sarcină și conform normelor în vigoare.

Conectarea la rețeaua electrică trebuie să respecte următoarele indicații:

MARO = L fază  
BLEUMARIN = N neutru.

- Distanța minimă între suprafața, suportului vaselor de gătit de pe aragaz și partea cea mai joasă a hotei de la bucătărie, trebuie să fie de cel puțin **65 cm**. Dacă veți folosi un tub de evacuare compus din două segmente, segmentul superior trebuie să fie în exteriorul segmentului inferior. Nu conectați tubul de evacuare a aburilor la o conductă de aer cald sau care servește și la evacuarea aburilor care provin de la alte

instalații de încălzire, mai ales dacă alimentarea acestora nu este electrică.

Înainte de a începe montajul, îndepărtați filtrul/filtrele (vezi Fig.5), pentru a mânuși mai ușor hota.

- În caz că aparatul este montat în versiune aspirantă predis-puneți gaura de evacuare al aerului.

• Se recomandă folosirea unui tub de evacuare a aerului care să aibă același diametru ca și gura de evacuare a aerului. Utilizarea unei reducții poate diminua performanțele aparatului și mări nivelul de zgomot\*.

#### • Fixarea la perete

Executați găuririle **A** respectând cotele indicate (vezi Fig.2). Fixați hota la perete și aliniați-o orizontal cu celelalte corpuri suspendate. Când ați reglat înălțimea, fixați hota definitiv, cu ajutorul celor două șuruburi **A** (vezi Fig.4). În funcție de tipul peretelui (de ex. beton armat, ghips-carton) folosiți șuruburile sau diblurile sau expansiune adecvate. Dacă hota a fost livrată cu șuruburile sau diblurile respective, controlați dacă acestea se potrivește, într-adevăr, cu tipul de perete pe care o veți monta.

#### • Montarea coloanei telescopice decorative

Introduceți cablurile electrice în interiorul coloanei decorative. Dacă hota dumneavoastră este aspirantă sau dispune de un motor extern, executați mai întâi gaura de evacuare a aburilor. Reglați înălțimea bridei de suport din partea superioară a coloanei (Fig.3). Fixați coloana pe tavan având grijă să fie centrată pe aragaz și brida de suport să fie la înălțimea precizată în figura 2; folosiți pentru aceasta șuruburile **A** (vezi Fig.3). Montați apoi tubul de evacuare, de la flanșa **C** la gaura de evacuare aer (vezi Fig.4). Introduceți segmentul superior al coloanei în segmentul inferior al acesteia. Fixați apoi segmentul inferior al coloanei pe hotă cu șuruburile **B** din dotare (vezi Fig.4) și prelungiți segmentul superior pÅ nă la brida, fixându-l și pe acesta cu șuruburile **B** (vezi Fig.3).

Pentru a schimba hota de la varianta aspirantă la varianta filtrantă, apălați la vÅ nzător pentru furnizarea filtrelor de carbon activ; pentru montajul acestora, urmăriți instrucțiunile.

#### • Varianta filtrantă

Instalați hota și cele două segmente de coloană după indicațiile din paragraful precedent. Pentru montarea racordului filtrant citiți cu atenție instrucțiunile din setul de montaj. Dacă nu este prevăzută din dotare, apălați la vÅ nzător pentru furnizarea lui ca accesoriu. Filtrurile trebuie să fie puse la grupul de aspirație care sunt înăuntrul hotei și fixați în mijlocul acesteia cu o rotație de 90 de grade pÅ nă la la declansarea opririi (Fig. 6).

### INSTRUCȚIUNI DE SIGURANȚĂ

• Se recomandă să porniți hota înainte de a începe coacerea alimentelor. Lăsați hota în funcțiune 15 minute după stingerea aragazului, pentru a elimina complet mirosul de mâncare. Funcționarea corectă a hotei depinde de întreținerea ei în mod periodic, conform indicațiilor; o atenție mărită trebuie acordată filtrului degresant și filtrului de carbon activ.

• **Filtrul degresant** capturează suspensiile de grăsime din aer și de aceea se poate deseori obtura, în funcție de folosirea aparatului.

- Pentru a preveni pericolul de incendii, la fiecare 2 luni este necesară spălarea filtrelor antigrăsime; acestea vor fi spălate cu mâna, folosind un detergent neutru neabraziv sau în mașina de spălat vase la temperaturi reduse, efectuând cicluri rapide.

- După câteva spălări, pot fi verificate alterațiile de culoare. Acest lucru nu dă dreptul la reclamații în vederea înlocuirii lor.

• **Filtrele cu cărbune activ** au scopul de a depura aerul care este eliberat în atmosferă și au funcția de a diminua mirosurile neplăcute datorate gătitului.

- Filtrele cu cărbune activ neregenerabile trebuie înlocuite la maxim fiecare 4 luni. Saturația cărbunelui activ depinde de utilizarea mai mult sau mai puțin îndelungată a aparatului, de tipul de mâncăruri găsite și de intervalele la care este realizată curățarea filtrului antigrăsime.

- Filtrele cu cărbune activ regenerabil trebuie spălate cu mâna, cu detergent neutru neabraziv, sau în mașina de spălat vase la o temperatură de maxim 65°C (ciclul de spălare trebuie să fie complet și fără vase). Înlăturați apa în exces având grijă să nu deteriorați filtrul, îndepărtați elementele din plastic și uscați materialul în cuptor timp de cel puțin 15 minute la o temperatură de maxim 100°C. Pentru a păstra eficiența filtrului cu cărbune regenerabil, această operație trebuie efectuată la fiecare 2 luni. Acestea trebuie înlocuite la maxim fiecare 3 ani sau în momentul în care materialul de filtrare este deteriorat.

• **Înainte de a monta la loc filtrele antigrăsime și filtrele cu cărbune activ regenerabile este important ca acestea să fie bine uscate.**

• **Curățați hota des, atât pe interior cât și pe exterior, cu ajutorul unei lavete îmbibate în spirt sau cu un detergent neutru, neabraziv.**

• Instalația de lumină este proiectată numai pentru folosirea ei în timpul gătitului și nu pentru a asigura iluminarea generală a încălzărilor. Folosirea îndelungată a luminii hotei reduce mult durata de viață a becurilor.

• Dacă aparatul este dotat cu lumină ambient aceasta poate fi folosită timp îndelungat pentru iluminarea generală a ambientului.

• **Atenție:** nerespectarea avertizărilor privind curățarea hotei, înlocuirea și curățarea filtrelor duce la crearea riscurilor de incendii. Este recomandată respectarea cu strictețe a instrucțiunilor prezentate.

#### • Înlocuire becuri LED (Fig.7):

Dacă versiunea aparatului este cu becuri LED pentru înlocuire este necesară intervenția unui tehnician specializat.

#### • Înlocuirea becurilor cu halogen (Fig.8):

Pentru a înlocui becurile cu halogen **B** îndepărtați geamul din sticlă **C** apăsând clamele din fisurile corespunzătoare. Înlocuiți becurile arse cu altele noi, de același tip.

**Atenție:** nu atingeți becul cu mâna.

#### • Înlocuirea becurilor incandescente/halogene (Fig.9):

Folosiți numai becuri cu același număr de Watt ca al celor instalate.

• **Comenzi (Fig.10) mecanice;** simbolurile sunt explicate mai jos:

**A** = buton LUMINĂ

**B** = buton de oprire OFF

**C** = buton VITEZA ÎNTĂI

**D** = buton VITEZA A DOUA

**E** = buton VITEZA A TREIA.

• **Comenzi luminoase (Fig.11)** simbolurile sunt explicate mai jos:

**A** = buton LUMINĂ

**B** = buton de oprire OFF

**C** = buton VITEZA ÎNTĂI

**D** = buton VITEZA A DOUA

**E** = buton VITEZA A TREIA

**F** = buton TEMPORIZATOR OPRIRE AUTOMATĂ 15 minute (\*)

Dacă aparatul aflat în posesia dumneavoastră este prevăzut cu viteza **INTENSIVĂ**, pornind de la viteza a TREIA și ținând apăsat timp de circa 2 secunde tasta **E**, aceasta va fi activată pentru 10 minute după care va reveni la viteza setată în precedentă. Când funcția este activă LED-ul luminează intermitent.

Pentru a întrerupe funcția înainte de cele 10 minute, apăsați din nou tasta **E**.

În cazul anumitor modele este posibilă activarea funcției și pornind de la viteza întâi sau a doua.

Apăsând butonul **F** timp de 2 secunde (cu hota închisă) se va pune în funcțiune "clean air". Acest procedeu va pune în funcțiune motorul timp de 10 minute la fiecare ora în prima viteză. Cum s-a pus în funcțiune, motorul va începe cu 1<sup>o</sup> viteză timp de 10 minute în timpul careia trebuie să semnalizeze simultan butoanele **F** și **C**. După ce a trecut acest timp motorul se oprește și ledul butonului **F** rămâne fix aprins, iar după 50 de minute motorul pornește din nou la prima viteză și ledul **F** și **C** încep să semnalizeze pe timp de 10 minute, și așa mai departe. Apăsând orice tastă în afară de lumini, hota revine la funcționarea normală (ex. dacă se apasă tasta **D** se dezactivează funcția "clean air" iar motorul se configurează la a 2<sup>o</sup> viteză; apăsând tasta **B** funcția se dezactivează).

(\*) Funcția "TEMPORIZATOR OPRIRE AUTOMATĂ" întârzie oprirea hotei, care va continua să funcționeze timp de 15', la viteza pe care o avea în momentul activării acestei funcții.

#### • Saturarea filtrului de degresare/carbon activ:

- Când tasta **A** emite un semnal intermitent, la un interval de **2 secunde**, filtrele de degresare trebuie spălate.

- Când tasta **A** pâlpâie cu o frecvență de **0,5 sec.** filtrele cu cărbune activ trebuie spălate sau înlocuite în funcție de tipul de filtru.

După ce ați montat filtrul curat este necesar să ștergeți memoria electronică apăsând tasta **A** timp de **5 secunde**, până când tasta se stinge.

#### • Comenzi (Fig.12):

**Butonul A** = Aprinde/stinge lumina.

**Butonul B** = Pornește/oprește hota. Micșorează viteza motorului. Punerea în funcțiune a hotei se realizează la viteza 1. Dacă hota este în funcțiune, apăsați butonul timp de 2 secunde pentru a o opri. Dacă hota este în viteză 1, nu este necesar să o opriți.

**Display C** = Indică viteza selectată și activează temporizatorul.  
**Butonul D** = Pornește hota. Mărește viteza motorului. Prin apăsarea butonului corespunzător vitezei a 3a, se intensifică funcționarea timp de 10', după care hota se întoarce la viteza inițială. În acest interval de timp display-ul emite o lumină intermitentă.

**Butonul E** = Timer-ul cronometrează durata funcțiilor, din momentul activării lor, timp de 15 minute; apoi, acestea sunt dezactivate. Timer-ul se dezactivează apăsând din nou butonul **E**. Când funcția Timer este activă, zecimalele de pe display emit un semnal intermitent. Dacă funcția Viteza intensiva este activată, Timer-ul nu poate fi pus în funcțiune.

Apăsând butonul **E** timp de 2 secunde, când aparatul este oprit, se activează funcția "clean air". Aceasta pune în funcțiune motorul 10 minute pe ora, la viteza întâi. În timpul funcționării, pe ecran apare o mișcare rotativă, a segmentelor periferice. La expirarea timpului, motorul se oprește iar pe ecran apare litera **C**, cu un semnal luminos stabil, care rămâne

în acest fel 50 de minute; apoi, motorul se repune în funcțiune alte 10 minute, s.a.m.d. Pentru a vă întoarce la modul normal de funcționare apăsați o tastă oarecare cu excepția celor aprinse. Pentru a dezactiva funcția apăsați tasta **E**.

#### • Saturarea filtrului de degresare/carbon activ:

- Când ecranul **C** este intermitent și viteza de funcționare se alternează cu litera **F** (de ex.1 și **F**) este necesar să spălați filtrele degresante.

- Când display-ul **C** pâlpâie afișând în mod alternativ viteza de exercițiu și litera **A** (ex.1 și **A**) filtrele cu cărbune activ trebuie înlocuite sau spălate în funcție de tipul de filtru folosit.

După montarea unui filtru curat, este necesar să resetați memoria electronică apăsând tasta **A** timp de **5 sec.**, până când ledurile **F** sau **A** de pe ecranul **C** încetează să fie intermitente.

• **Comenzi mecanice (Fig.13)** : simbolurile sunt prezentate în continuare:

**A** = tasta LUMINĂ / ON-OFF

**B** = tasta OFF / PRIMA VITEZĂ

**C** = tasta A DOUA VITEZĂ

**D** = tasta A TREIA VITEZĂ.

Dacă hota este oprită când aceasta funcționează în prima, a doua sau a treia viteză, în momentul în care este pornită din nou, aceasta va porni la viteza setată în momentul opririi.

### PRODUCĂTORUL ÎȘI DECLINĂ ORICE RESPONSABILITATE PENTRU DAUNELE PROVOCATE PRIN NERESPECTAREA INSTRUCȚIUNILOR DE MAI SUS.

РУССКИЙ

RUS

### ОБЩИЕ СВИДЕНИЯ

Внимательно прочитайте содержание данной инструкции, поскольку содержат важные указания, относящиеся к безопасности установки, эксплуатации и техобслуживания. Сохраните инструкцию для любой дальнейшей консультации. Устройство разработано в следующих вариантах исполнения: втяжное устройство (удаление воздуха из помещения - Рис.1B), фильтрующее устройство (рециркуляция воздуха внутри помещения - Рис.1A) или вариант с применением наружного электродвигателя (Рис.1C).

### МЕРЫ ПРЕДОСТОРОЖОСТИ

1. Быть внимательным, если одновременно работает вытяжка и горелка или очаг, нуждающиеся в окружающем воздухе и запитывающиеся иной энергией, кроме электрической. В таком случае вытяжка удаляет из помещения воздух, нужный для процесса сгорания в горелке или очаге. Отрицательное давление в помещении не должно превышать 4Pa (4x10<sup>-5</sup> bar). Для надежной и безопасной работы следует обеспечить вентиляцию помещения. Для наружных выбросов соблюдать правила, действующие в Вашей стране.

#### Прежде чем подключить прибор к электрической сети:

- Убедиться в соответствии напряжения и мощности прибора, данные о которых помещены на заводской паспортной табличке, сетевым показателем, а также соответствие электросоединителя (розетки). В случае несоответствия розетки обратиться к квалифицированному электрику.
- Если провод электропитания поврежден, замените его

или весь специальный узел у производителя или в уполномоченном центре технического обслуживания.

- Подсоединить устройство к сети электропитания посредством штепсельной вилки с предохранителем 3 А или двух двухполюсных проводов с предохранителем 3 А.

## 2. Внимание!

**В некоторых случаях электрические приборы могут быть опасными.**

**A) Не проверяйте состояние фильтров при работающей вытяжке.**

**B) Не прикасайтесь к лампочкам или к прилегающим зонам в процессе работы системы освещения или сразу же после ее выключения.**

**C) Запрещается готовить блюда на открытом пламени под кухонной вытяжкой.**

**D) Избегайте открытого пламени, так как оно повреждает фильтры и может привести к возгоранию.**

**E) В процессе жарки во фритюре непрерывно следите за процессом во избежание возгорания кипящего масла.**

**F) Отсоединяйте штепсельную вилку от сетевой розетки перед началом технического обслуживания.**

**G) Изделие не рассчитано на эксплуатацию детьми или недееспособными лицами без контроля.**

**H) Не разрешайте детям играть с изделием.**

**I) Если вытяжка используется одновременно с другими приборами, в которых используется топливный газ или другие виды топлива, в помещении должна быть обеспечена надлежащая вентиляция.**

**L) В случае выполнения операций по чистке без соблюдения инструкций существует опасность возгорания.**

Данное изделие имеет маркировку соответствия Европейскому Нормативу 2002/96/ЕС, Утилизация электрических и электронных изделий (WEEE). Проверьте, чтобы по окончании его срока службы данное изделие было сдано в утиль. Этим Вы сможете сохранить окружающую среду.



Символ на изделии или в прилагающейся к нему документации означает, что данное изделие не должно рассматриваться как бытовые отходы, а должно быть сдано в специальный центр утилизации, занимающийся уничтожением электрических и электронных приборов. Изделие должно быть сдано в утиль в соответствии с местными нормативами по утилизации отходов. За дополнительными сведениями касательно обработки, утилизации и уничтожения данного изделия обращайтесь в местное отделение сбора домашних бытовых приборов или в магазин, в котором было куплено изделие.

## ИНСТРУКЦИИ ПО УСТАНОВКЕ

• **Монтаж и электрическое подключение должны выполняться квалифицированным техником.**

• **Перед тем, как приступить к монтажным операциям, наденьте защитные перчатки.**

### • Электрическая связь:

Необходимо обеспечить легкий доступ к штепселю после установки аппарата. В случае поставки аппарата с кабелем без штепселя, для того чтобы подключить его к электрической сети, необходимо установить между аппаратом и сетью мультиполярный выключатель с минимальным расстоянием между контактами 3 мм, рассчитанный на данную нагрузку и соответствующий действующим нормативам.

коричневый-**L**-линия

синий-**N**-нейтральный.

• Минимальная дистанция между опорной нагреваемой плоскостью и нижней частью кухонного дымохода должна быть не менее **65 см**. Если применяется соединительная труба из двух и более частей, то верхняя часть должна располагаться снаружи нижней части. Не соединять выброс из вытяжки с каналом циркуляции горячего воздуха или с каналом, используемым для отвода дыма от устройств, запыляемых иной энергией кроме электрической. Перед тем как приступить к сборке устройства, для облегчения его монтажа отсоедините фильтр/жироулавливающий фильтр (Рис.5).

- В том случае, если прибор монтируется с вытяжным устройством, рекомендуется обеспечить помещение выводящим отверстием.

• Рекомендуется использовать трубу дымохода с таким же диаметром, что и отверстие подачи воздуха. Использование суженной трубы может сократить КПД вытяжки и увеличить ее шумовой уровень.

### Прикрепление к стене

выполните отверстия **A**, соблюдая указанные расстояния (рис.2). Прикрепите устройство к стене при помощи регулируемого кронштейна, выровняйте устройство в горизонтальном положении. Прикрепите окончательно колпак двумя винтами **A** (рис.4). В зависимости от варианта монтажа используйте винты (шурупы) и дюбели, соответствующие типу стены (например, железобетон, гипсокартон и т. д.). Если винты и дюбели входят в комплект поставки, следует удостовериться в том, что они подходят для того типа стены, на которой должен быть смонтирован колпак.

### Монтаж декоративных телескопических сборочных элементов

Предварительно выполните подводку электропроводов внутри декоративного сборочного элемента. Если ваше устройство устанавливается как вытяжное или с наружным электродвигателем, предварительно сделайте отверстие для отвода воздуха. Отрегулируйте ширину поддерживающего кронштейна верхнего сборочного элемента (рис.3). Прикрепите его к потолку винтами **A** так, чтобы обеспечить его соосность с вашим колпаком (рис.3), соблюдая расстояние от потолка, указанное на рис. 2. Соедините фланец **C** с отверстием для вывода воздуха посредством соединительной трубы (рис.4).

Вставьте верхний сборочный элемент в нижний. Прикрепите нижний сборочный элемент к колпаку, используя винты **B**, которые прилагаются (рис.4), сместите верхний сборочный элемент до кронштейна и прикрепите его винтами **B** (рис.3). Для превращения колпака из вытяжного в фильтрующий обратитесь к своему дилеру для получения фильтров с активированным углем и следуйте инструкциям по установке.

### Колпак в варианте фильтрующего устройства

установите колпак и два сборочных элемента как указано в разделе по сборке колпака в варианте вытяжного устройства. Для сборки фильтрующего элемента следуйте инструкциям, содержащимся в комплекте принадлежностей. Если комплект отсутствует, закажите его дополнительно у своего дилера.

Фильтры должны быть помещены на всасывающее устройство, расположенное во внутренней части дымохода. Установить фильтры строго по центру и затем повернуть на 90 градусов до щелчка(Рис.6).

## ЭКСПЛУАТАЦИЯ И ТЕХХОД

• Рекомендуем ввести аппарат в эксплуатацию, прежде чем приступать к варке какого-либо элемента.

Рекомендуем оставить работать аппарат на 15 минут, после завершения приготовления пищи, чтобы полностью выпустить тяжелый воздух. Хорошее функционирование колпака обусловлено правильным и постоянным техническим обслуживанием; особое внимание следует уделить фильтру жира и активированного угля.

• **Жироудаляющий фильтр** должен удерживать жирные взвешенные частицы в воздухе, следовательно, его загрязнение зависит от времени работы прибора.

- Во избежание риска пожара, не реже двух раз в месяц необходимо промывать жироудаляющие фильтры вручную с использованием жидких нейтральных моющих средств без абразивных добавок, или мыть в посудомоечной машинке при низкой температуре и в короткие циклы.

- Цвет может измениться, после нескольких промывок. Этот факт не даёт права на жалобу и замену детали.

• **Фильтры с активированным углём** необходимы для очистки воздуха в помещении и удаляют неприятные запахи при приготовлении пищи.

- Не регенерируемые фильтры с активированным углём необходимо заменять не реже 1 раза в 4 месяца. Насыщение активированного угля зависит от того, часто использовался прибор, от вида кухни и от регулярности очистки жироудаляющего фильтра.

- Регенерируемые фильтры с активированным углём необходимо мыть вручную, с использованием нейтральных моющих средств без абразивных добавок, или в посудомоечной машине при температуре не выше 65°C (при этом в машине не должно находиться посуды). Удалить лишнюю воду, не повреждая фильтр, снять пластмассовые детали и высушить коврик в печи, не менее чем 15 минут при температуре не выше 100°C. Чтобы поддерживать фильтр с активированным углём в эффективном состоянии, это операцию необходимо проводить каждые 2 месяца. Не менее чем раз в 3 года фильтр необходимо заменять, или когда на коврике обнаружены повреждения.

• **Перед тем, как установить жироудаляющие фильтры и фильтры с активированным углём, необходимо их тщательно высушить.**

• **Необходимо часто очищать колпак как внутри, так и снаружи, используя увлажненную денатурированным спиртом ткань или нейтральные не царапающие жидкие моющие средства.**

• Лампы вытяжки служат для освещения варочной панели во время приготовления и не рассчитаны на длительное включение для обычного освещения помещения. Продолжительное использование ламп вытяжек значительно сокращает их средний срок службы.

• Если прибор оснащён освещением помещения, оно может быть использовано для длительного применения всего освещения помещения.

• **Внимание:** несоблюдение рекомендаций по очистке вытяжке и замене и очистки фильтров, приводит к опасности пожара. Рекомендуется следовать приведённым инструкциям.

• **Замена светодиодных ламп (Рис.7):**

На исполнении со **СВЕТОДИОДНЫМИ** лампами, замену

ламп должен производить специализированный технический персонал.

• **Замена галогенных ламп (Рис.8):**

Для замены галогенных ламп **В** снимите стеклянную крышку **С**, поддев ее отверткой в специальных пазах. Замените лампы на лампы такого же типа.

**Внимание:** не прикасайтесь к лампам голыми руками.

• **Замена лампочки накаливания/галогенной (Рис.9):**

Использовать только лампочки такого же типа и вольтжажа, что и установленные в приборе.

• **Органы управления (Рис.10) Механические:**

**A** = кнопка освещения

**B** = кнопка нулевой

**C** = кнопка первой скорости

**D** = кнопка второй скорости

**E** = кнопка третьей скорости.

• **Органы управления светящиеся (Рис.11):**

**A** = кнопка освещения

**B** = кнопка нулевой

**C** = кнопка первой скорости

**D** = кнопка второй скорости

**E** = кнопка третьей скорости

**F** = кнопка таймера автоматической остановки через 15 мин (\*)

Если в вашем устройстве подключена функция **ИНТЕНСИВНОЙ** скорости, для ее активации необходимо включить ТРЕТЬЮ скорость и держать нажатой в течение примерно 2 секунд кнопку **E**. Эта функция активируется на 10 минут, после чего произойдет возврат к установленной ранее скорости.

Во время активации функции мигает светодиодный индикатор.

Для остановки функции до истечения 10 минут необходимо снова нажать кнопку **E**.

В некоторых моделях возможно активировать эту функцию на первой и второй скорости.

Нажатом положении в течение 2 –х секунд клавишу **F**. Для включения функции "**clean air**" нажать и держать в таком положении клавишу **F**. Эта функция ежечасно включает двигатель на первой скорости на 10 минут, в течение которых должны мигать одновременно указатели клавиш **F** и **C**. После чего двигатель выключается, а указатель на клавише **F** остается зажженным. Приблизительно через 50 минут опять включается двигатель на первой скорости, и указатели **F** и **C** начинают мигать в течение 10 минут и т.д. Нажимая на любую кнопку, за исключением света, вытяжка возвращается к нормальному режиму работы (например, при нажатии на кнопку **D**, отключается функция "**clean air**" и двигатель устанавливается на вторую скорость; нажимая на кнопку **B**, функция отключается).

(\*) Функция "**ТАЙМЕР АВТОМАТИЧЕСКОЙ ОСТАНОВКИ**" задерживает отключение вытяжки, которая продолжает работу на скорости, выбранной при включении этой функции через 15 минут.

• **Засорение фильтров-жироуловителей/фильтра с активированным углем:**

-Когда мигает кнопка **A** с частотой **2 сек.**, необходимо вымыть фильтры-жироуловители.

-Когда мигает кнопка **A** с частотой **0,5 сек.** необходимо



промыть или заменить фильтр с активированным углём, в зависимости от его типа.

После установки на место чистого фильтра необходимо обнулить электронную память, нажав кнопку **A** примерно на **5 сек.** вплоть до прекращения мигания.

#### • Органы управления (Рис.12):

**Клавиша А** = включает/выключает подсветку.

**Клавиша В** = включение/выключение вытяжки. Вытяжка включается на 1-ой скорости. Если вытяжка включена, нажмите кнопку на 2 секунды, чтобы выключить ее. Если вытяжка работает на 1-ой скорости, не нужно держать кнопку нажатой для ее выключения. Скорость двигателя сокращается.

**Дисплей С** = показывает скорость мотора, которая была набрана, и включение таймера.

**Клавиша D** = включает вытяжку. Увеличивает скорость мотора. Нажатие клавиши 3-й скорости вызывает активацию функции интенсивного режима на 10 мин, по истечении которых восстанавливается скорость работы, активной в момент включения данной функции. На период действия интенсивного режима имеет место мигание индикатора.

**Клавиша Е** = Таймер на 15 минут напоминает функции в момент включения после отключения этих функций. Таймер отключается повторным нажатием кнопки **E**. Когда функция Таймер включена, на дисплее должно мигать десятичное значение. Если работает интенсивная скорость, включить функцию Таймер нельзя.

Нажав кнопку **E** на 2 секунды при выключенной вытяжке, включается функция "clean air". Эта функция включает двигатель на 1-ой скорости на 10 минут каждый час. В процессе функционирования на дисплее показываются вращающиеся боковые сегменты. По истечении этого времени двигатель выключается, и на дисплее появляется буква "C" до следующего запуска двигателя на 10 минут по прошествии 50 минут. Чтобы вернуться к нормальной работе, нажать на любую кнопку кроме освещения. Чтобы отключить функцию нажать на кнопку **E**.

#### • Засорение фильтров-жироуловителей/фильтра с активированным углем:

- Когда на дисплее **C** попеременно мигают значение рабочей скорости и буква **F** (например, 1 и **F**) необходимо вымыть фильтры-жироуловители.

- Когда на дисплее **C** по переменно мигают рабочая скорость и буква **A** (например, 1 и **A**) необходимо заменить или промыть фильтры с активированным углём, в зависимости от вида фильтра.

После установки фильтра на место после чистки необходимо обнулить электронную память, нажав кнопку **A** примерно на **5 сек.** вплоть до прекращения мигания буквы **F** или **A** на дисплее **C**.

#### • Механическое управление (Рис.13) : обозначения следующие:

**A** = кнопка СВЕТ / ВКЛ-ВЫКЛ

**B** = кнопка ВЫКЛ/ ПЕРВАЯ СКОРОСТЬ

**C** = кнопка ВТОРАЯ СКОРОСТЬ

**D** = кнопка ТРЕТЬЯ СКОРОСТЬ

Если вытяжка будет выключена на первой, второй или третьей скорости, то в момент последующего включения она будет работать на той же скорости, на которой произошло выключение.

**ФИРМА НЕ НЕСЕТ НИКАКОЙ ОТВЕТСТВЕННОСТИ ЗА**

## УШЕРБ, ВЫЗВАННЫЙ НЕСОБЛЮДЕНИЕМ ВЫШЕПРИВЕДЕННЫХ ПРЕДУПРЕЖДЕНИЙ.

# SVERIGE

### OBSERVERA

Läs innehållet i detta instruktionshäfte noga då det tillhandahåller viktig information vad beträffar säkerheten vid installation, användning och underhåll. Spar häftet för eventuella framtida konsultationer. Apparaten är konstruerad för att användas som antingen insugande version (utsugning av luft utomhus - Fig.1B), filtrerande version (återcirkulering av luft inomhus - Fig.1A) eller version med yttre motor (Fig.1C).

### SÄKERHETSFORESKRIFTER

1. Var uppmärksam om utsugningskåpan fungerar samtidigt som en brännare eller eldhård som är beroende av omgivningsluften i rummet och som drivs med annan typ av energi än elektrisk energi, eftersom utsugningskåpan suger upp luft från rummet som brännaren eller eldhärden är i behov av för sin förbränningsprocess. Undertrycket i lokalen får inte överskrida 4 Pa (4x10<sup>-5</sup> bar). För att garantera säkerheten rekommenderas därför en god ventilation av lokalen. Vad beträffar det utvändiga utsläppet skall de i det aktuella landet gällande normerna och föreskrifterna respekteras.

#### Innan apparaten kopplas till elnätet:

- Kontrollera typskylten (på insidan av apparaten) och försäkra dig om att spänning och effekt motsvarar elnätets och att stickkontakten passar. Rådfråga kunnig eltekniker, om du är tveksam.

- Om nätkabeln är skadad ska den bytas ut mot en ny kabel eller en specialsats som tillhandahålls av tillverkaren eller dess tekniska servicetjänst.

- Anslut strömförsörjningsaggregatet via en stickkontakt med en säkring på 3A eller till tvåfasanslutningens två trådar som ska skyddas av en säkring på 3A.

#### 2. Observera!

**I vissa situationer kan elektrisk utrustning utgöra en fara.**

**A) Kåpan ska inte vara i drift när filtrens skick kontrolleras.**

**B) Vidrör inte glödlampor eller områden runt dessa direkt efter längre tids användning av belysningen.**

**C) Det är förbjudet att tillaga flamberade rätter under kåpan.**

**D) Undvik fria lågor. Dessa kan skada filtren och förorsaka brand.**

**E) Vid fritering ska tillagningen hållas under konstant uppsikt för att förhindra att oljan tar eld.**

**F) Koppla från kontakten från stickkontakten innan underhållsmoment utförs.**

**G) Utrustningen är inte avsedd att användas av barn eller oförmögna personer, utan uppsikt av en vuxen.**

**H) Kontrollera att barn inte leker med utrustningen.**

**I) När kåpan används samtidigt med utrustning som bränner gas eller andra bränslen, ska lokalen ha en god ventilation.**

**L) Om rengöringsmomenten inte utförs med respekt för anvisningarna finns det risk för att brand uppstår.**

Den här apparaten överensstämmer med europadirektivet 2002/96/EG, Waste Electrical and Electronic Equipment (WEEE). Genom att försäkra sig om att den här produkten

elimineras på rätt sätt, bidrar användaren till att förebygga eventuella negativa följdrisker för miljö och hälsa.



Symbolen på produkten eller på bifogad dokumentation indikerar att den här produkten inte ska behandlas som hushållsavfall utan ska överlämnas till lämplig avfallsstation för återvinning av elektriska och elektroniska apparater. Kassera enligt gällande lokala normer för avfallshandtering. För ytterligare information om hantering och återvinning av produkten, kontakta det lokala kontoret, uppsamlingsstation för hushållsavfall eller affären där produkten inhandlats.

## INSTALLATIONS INSTRUKTIONER

• **Ltgärder för montering och elanslutning måste utföras av kunnig personal.**

• **Sätt på dig skyddshandskar innan du påbörjar monteringsförarbetet.**

### • Elanslutning:

Apparaten är av typklass II, och inga kablar skall därför jordanslutats. Stickkontakten ska vara lättåtkomlig efter att utrustningen har installerats. Om utrustningens nätkabel saknar stickkontakt, är det nödvändigt att installera en flerpolig brytare mellan utrustningen och elnätet. Brytaren ska ha en min. öppning mellan kontaktarna på 3 mm, vara dimensionerad för belastningen och uppfylla gällande lagstiftning. Nätanslutningen skall utföras på följande sätt:  
BRUN = L fas  
BLÅ = N nolla.

• Det minimala avståndet mellan kokkärlets underlag på kokhällen och spisfläktens nedre del måste vara minst **65 cm**. I det fall ett anslutningsrör används som består av två eller flera delar, måste den övre av delarna träs utanpå den undre delen. Anslut inte kåpens utloppsrör till luftkanaler i vilka varmluft cirkulerar, eller kanaler som används för att evakuera rök från apparater som drivs med annan typ av energi än elektrisk energi. För att förenkla handhavandet av apparaten ska antifettfiltret/en tas ur innan monteringsmomenten påbörjas (Fig.5).

- Om apparaten ska monteras med utsugningversion ska hål för luftuttömning anordnas.

• Det rekommenderas att använda ett ventilationsrör med samma diameter som öppningen för luftutgången. Om ett reducerestycke används försämrats utrustningens kapacitet och bullernivån ökas.

### • Fastsättning på väggen

Borra hålen **A** och ta hänsyn till de angivna måtten (Fig. 2). Fäst apparaten på väggen och se till att den är i horisontell linje med de övriga köksskåpen. När spiskåpan har justerats ska den fästas definitivt med de 2 skruvarna **A** (Fig.4). För de olika monteringsarna ska skruvar och expansionspluggar som är lämpliga för väggen användas (t.ex. armerad betong, gips o.s.v.). Om skruvar och expansionspluggar medlevereras med produkten ska du försäkra dig om att de är lämpliga för den typ av vägg där spiskåpan ska fästas.

### • Fastsättning av skorstensförlängning

Montera elmatningen innanför skorstensförlängningen. Om din apparat ska installeras som insugande version eller version med yttre motor ska hål för utsugning av luften förberedas. Reglera bredden för överdelens fästen (Fig.3). Fäst sedan fästet i taket med skruvarna **A** (Fig.3) så att det är

i linje med din spiskåpa och ta hänsyn till avståndet till taket som anges i Fig.2. Anslut flänsen **C** med ett anslutningsrör till hålet för utsugning av luft (Fig.4). Skjut in överdelen inuti underdelen. Fäst underdelen i spiskåpan med de medlevererade skruvarna **B** (Fig.5). Dra upp överdelen till fästet och fäst den med skruvarna **B** (Fig.3). För att modifiera spiskåpan från insugande version till filtrerande version ska du beställa kolfilter från din återförsäljare och följ sedan monteringsanvisningarna.

### • Filtrande version

Installera spiskåpan och skorstensförlängningens över- och underdel enligt avsnittet angående montering av spiskåpan för insugande version. För monteringen av den filtrerande delen, se anvisningarna som följer med satsen. Om satsen inte medlevereras kan den beställas från din återförsäljare som tillbehör. Filtren måste sättas på plats i fläktenheten inuti kåpan och skall vridas i 90 grader till stoppläge. (Fig.6)

## ANVÄNDNING OCH UNDERHÅLL

• Det rekommenderas att starta utrustningen innan någon typ av livsmedel tillagas. Vi rekommenderar att du låter apparaten gå i 15 minuter efter att matlagningen avslutats, så att matoset helt sugs ut. Kåpan ska underhållas regelbundet och på ett korrekt sätt för att fungera på bästa sätt. Detta gäller i synnerhet avfettningsfiltret och filtret med aktivt kol.

• **Avfettningsfiltret** har till uppgift att stoppa fettpartiklarna som finns i luften. Detta filter sätts igen efter en viss tid, beroende på hur mycket utrustningen används.

- För att undvika risk för brand är det nödvändigt att tvätta avfettningsfiltret för hand med flytande neutralt icke-polerande diskmedel eller i diskmaskin på låg temperatur och med kort program minst en gång varannan månad.

- Efter några tvättar kan filtren ändra färg lite. Detta ger inte rätt till reklamation för eventuell ersättning av dem.

• **De aktiva kolfiltren** används för att rena luften som återcirkuleras till rummet och har som funktion att mildra de otrevliga lukter som genereras av matlagning.

- Engångskolfiltren bör bytas ut minst var 4:e månad. Det aktiva kolets måttand beror på hur mycket apparaten har använts, på typen av kök samt på hur ofta avfettningsfiltret rengörs.

- De återanvändbara aktivt kolfiltrena bör diskas för hand med neutralt icke-polerande diskmedel, eller i diskmaskin med en högsta temperatur på 65°C (tvättprogrammet måste göras utan annan disk). Ta bort överflödigt vatten utan att skada filtret, ta bort plastdelarna och torka den lilla dynan i ugnen i minst 15 minuter vid en temperatur på max 100°C. För att behålla det återanvändbara aktiva kolfiltrets effektiva funktion ska denna handling upprepas varannan månad. Dessa måste bytas ut minst vart tredje år eller när den lilla dynan är skadad.

• **Innan du sätter tillbaka avfettningsfiltren och de återanvändbara aktiva kolfiltren är det viktigt att dessa har torkat ordentligt.**

• **Rengöra kåpan regelbundet både på insidan och utsidan med en trasa fuktad med denaturerad sprit eller mildt flytande rengöringsmedel som inte slipar.**

• Belysningen är avsedd att endast vara tänd under tillagningen och inte för att lysa upp rummet i allmänhet under en längre tid. Om belysningen är tänd under en längre tid förkortas lampornas livslängd betydligt.

• Om apparaten är försedd med **innerbelysning** kan denna användas som allmän rumsbelysning under längre tid.

• **Viktigt!** Att ignorera anvisningarna om rengöring av kåpan samt om byte och rengöring av filtren medför brandrisk. Det

rekommenderas därför att man följer dessa instruktioner.

• **Byte av LED-lamporna (Fig.7):**

Om din apparat är försedd med LED-lampor är det nödvändigt att kontakta en specialiserad tekniker när de behöver bytas ut.

• **Byta halogenlampor (Fig.8):**

För att byta halogenlamporna **B**, bänd upp glaset **C** i springorna. Byt ut mot lampor av samma typ.

**OBS!** Ta inte i lampan med bara händer.

• **Byte av glödlampor/halogenlampor (Fig.9):**

Använd enbart lampor av samma typ och med samma wattvärde som installerats på apparaten.

• **Manöverfunktioner (Fig.10) mekaniska** beskrivs symbolerna här nedan:

**A** = knapp för BELYSNING

**B** = knapp OFF

**C** = knapp FÖRSTA HASTIGHET

**D** = knapp ANDRA HASTIGHET

**E** = knapp TREDJE HASTIGHET.

• **Manöverfunktioner lysande (Fig.11)** beskrivs symbolerna här nedan:

**A** = knapp för BELYSNING

**B** = knapp OFF

**C** = knapp FÖRSTA HASTIGHET

**D** = knapp ANDRA HASTIGHET

**E** = knapp TREDJE HASTIGHET

**F** = TIMER FÖR AUTOMATISK AVSTÄNGNING EFTER 15 minuter (\*)

Om din apparat är försedd med funktionen **INTENSIVLÅGE** aktiverar du funktionen från den TREDJE hastigheten genom att hålla knappen **E** intryckt i ungefär 2 sekunder. Funktionen förblir aktiv i ungefär 10 minuter och därefter återgår fläkten till tidigare vald hastighet.

Lysdioden blinkar när funktionen är aktiv.

För att avbryta funktionen innan det har gått 10 minuter, tryck in knappen **E** igen.

På vissa modeller går det att aktivera funktionen även med den första och den andra hastigheten.

Tryck på knapp **F** i 2 sekunder (när fläkten är avstängd) för att sätta igång funktionen "**clean air**". Genom denna funktion sätts fläktmotorn igång i 10 minuter varje timme på hastighet ett. Omedelbart efter att ha aktiverat denna funktion, sätts motorn igång på hastighet ett under 10 minuter, medan knapp **F** och knapp **C** samtidigt blinkar. Därefter släcks motorn och lysdiod **F** förblir tänd med fast ljus ända tills motorn efter ytterligare 50 minuter startar igen på hastighet ett och lysdioderna **F** och **C** börjar blinka igen i 10 minuter osv. Genom att trycka på vilken knapp som helst förutom ljusknapparna återgår fläkten till normal drift (t.ex. om du trycker på knappen **D** avaktiveras funktionen "**clean air**". och motorn ställs in på hastighet 2. Om du trycker på knappen **B** avaktiveras funktionen).

(\*) Funktionen "**TIMER FÖR AUTOMATISK AVSTÄNGNING**" fördröjer avstängningen av kåpan, som fortsätter att fungera i 15 minuter med samma arbets hastighet som vid påslagningen av denna funktion.

• **Orena fettfilter/aktivt kolfilter:**

-När knappen **A** blinkar med ett intervall på **2 sek.** ska fettfiltren rengöras.

-När knappen **A** blinkar med en frekvens av **0,5 sek.** bör de

aktiva kolfiltren rengöras eller bytas beroende på typen av filter.

När det rena filtret har satts tillbaka, ska det elektroniska minnet nollställas genom att trycka på knapp **A** i cirka **5 sek.** tills varningslampan slutar att blinka.

• **Manöverfunktioner (Fig.12):**

**Tangent A** = Slår på/av belysningen.

**Tangent B** = Slår på/av kåpan. Apparaten startar med den lägsta hastigheten. Om kåpan fungerar skall tangenten tryckas in halv sekund för att slå av den. Om kåpan fungerar med den lägsta hastigheten behöver man inte hålla tangenten intryckt för att stänga av den. Minskar motorns hastighet.

**Display C** = Anger den valda motorhastigheten och aktiveringen av timern.

**Tangent D** = Slår på kåpan. Ökar motorns hastighet. Om tangenten för den tredje hastigheten trycks in startar den intensiva hastigheten under 10 sekunder för att sedan återgå till den arbets hastighet som var aktiv före ingreppet. Displayen blinkar under denna funktion.

**Tangent E** = II Timer ställer in funktionstiderna vid aktiveringen på 15 minuter, varefter de stängs av. Avaktivera timern genom att trycka på knapp **E**. När funktionen Timer är aktiv på displayen ska decimalpunkten blinka. Om hastighetens intensivläge är i funktion kan timern inte aktiveras.

Genom att trycka på knapp **E** i 2 sekunder, när apparaten är avstängd, så aktiveras funktionen "**clean air**". Denna tänds motorn i 10 minuter varje timme på första hastigheten. Under funktion ska displayen visa de perifera segmentens rotation. När denna tid gått ut släcks motorn och displayen visar den lysande bokstaven "**C**" tills motorn efter ytterligare 50 minuter startar igen och går i 10 minuter igen och så vidare. Tryck på vilken knapp som helst utom ljusknappen för att återgå till normalt funktionssätt. Tryck på knappen **E** för att avaktivera funktionen.

• **Orena fettfilter/aktivt kolfilter:**

-När displayen **C** blinkar och visar omväxlande driftshastigheten och bokstaven **F** (t.ex. 1 och **F**) ska fettfiltren rengöras.

-När displayen **C** blinkar och visar omväxlande driftshastigheten och bokstaven **A** (t.ex. 1 och **A**) ska de aktiva kolfiltren rengöras eller bytas beroende på typen av filter.

När det rena filtret har satts tillbaka, ska det elektroniska minnet nollställas genom att trycka ned knappen **A** i cirka **5 sek** tills signalerna **F** eller **A** slutar att blinka på displayen **C**.

• **Mekaniska kommandon (Fig.13) :** symbolin är följande:

**A**= knapp LJUS / ON-OFF

**B**= knapp OFF / FÖRSTA HASTIGHETEN

**C**= knapp ANDRA HASTIGHETEN

**D**= knapp TREDJE HASTIGHETEN

Om kåpan stängs av i första, andra eller tredje hastigheten, startar den, när den sätts på igen, om med samma hastighet som var inställd när den stängdes av.

**TILLVERKAREN FRÅNSÄGER SIG ALLT ANSVAR FÖR EVENTUELLA SKADOR SOM ORSAKTS P.G.A. ATT OVANSTÅENDE INSTRUKTIONER INTE RESPEKTERATS.**



## SPLOŠNO

Pozorno preberite vsebino te knjižice, saj vsebuje pomembne informacije glede varnosti pri nameščanju, uporabi in vzdrževanju naprave. Knjižico shranite za morebitno kasnejšo uporabo. Naprava je bila zasnovana za uporabo v odzračevalni (izločanje zraka na prosto - Slika 1B) in obtočni različici (vračanje zraka v prostor - Slika 1A) ali z zunanjim motorjem (Slika 1C).

## VARNOSTNA OPOZORILA

1. Bodite previdni, če hkrati delujeta kuhinjska napa in gorilnik ali ognjišče, ki sta odvisna od zraka v prostoru in se napajata iz energije, ki ni električna, ker napa med izsesavanjem jemlje prostor zraka, ki ga gorilnik in ognjišče potrebujeta za gorenje. Negativni tlak v prostoru ne sme presegati 4 Pa (4x10<sup>-5</sup> bar). Za varno delovanje kuhinjske nape mora biti prostor ustrezno prezračen. Pri naph, ki izsesavajo zrak v zunanost, morate upoštevati veljavne državne predpise.

### Preden priključite model na električno omrežje:

- Preglejte tablico s podatki (ki se nahaja v notranjosti naprave) in se prepričajte, da tlak in moč ustrezata omrežju in da je vtična prava. Če niste prepričani o njihovi ustreznosti, se posvetujte z električarjem.

- Če je napajalni kabel poškodovan, ga morate zamenjati z novim ali s posebnim kablom, ki ga prodaja izdelovalec ali serviser.

- Napravo priključite na električni tok prek vtiča z varovalko 3A ali na dva dvofazna kabla, ki sta prav tako zaščiteni z varovalko 3A.

### 2. Pozor!

**Električne gospodinjske naprave so lahko v določenih okoliščinah nevarne.**

**A) Ne pregledujte filtrov, kadar je kuhinjska napa vključena.**

**B) Če je osvetljava predlobo vključena, se ne dotikajte žarnic in mest ob njih, in sicer ne med njihovim gorenjem kakor tudi ne takoj po izklopu le-teh.**

**C) Pečenje hrane na plamenu pod nabo je prepovedano**

**D) Preprečite prost plamen, ker lahko poškoduje filtre ali zaneti požar.**

**E) Pri cvrtju bodite pozorni, da pregreto olje ne zagori.**

**F) Preden začnete z vzdrževanjem, izključite kuhinjsko nabo iz elektrike.**

**G) Naprava ni primerna za otroke ali osebe, ki potrebujejo oskrbo in nadzor.**

**H) Preverite, da se otroci ne igrajo z napravo.**

**I) Kadar nabo uporabljate hkrati z drugimi kuhinjskimi pripomočki, ki kurijo plin ali druga goriva, poskrbite, da je prostor primerno prezračen.**

**L) Če nape ne čistite v skladu z navodili, lahko pride do požara.**

Naprava je narejena v skladu z Direktivo 2002/96/ES o odpadni električni in elektronski opremi (WEEE). Da se preprečijo možni negativni vplivi na okolje in zdravje, je treba zagotoviti ustrezno odstranitev naprave.



Simbol na napravi ali v priloženi dokumentaciji pomeni, da se tega izdelka ne sme odlagati kot gospodinjske

odpadke, temveč ga je treba odpeljati na ustrezno deponijo odpadkov za reciklažo električnih in elektronskih naprav. Upoštevajte lokalne predpise o odlaganju odpadkov. Za dodatne informacije v zvezi z ravnanjem in reciklažo tega izdelka se obrnite na ustreznega lokalnega predstavnika, deponijo odpadkov ali prodajalca, pri katerem ste izdelek kupili.

## NAVODILA ZA NAMESTITEV

• **Namestitev in električno priključitev lahko opravi le ustrezno usposobljeno osebe.**  
• **Pred pričetkom montaže si nadenite zaščitne rokavice.**

### • Električna priključitev:

- Naprava je izdelana v razredu II, zato se ne sme ozemljiti.

Vtič naj bo namestitvi naprave lahko dosegljiv.

Če je naprava opremljena s kablom brez vtiča, je za povezavo le-tega na električno omrežje med napravo in omrežjem treba namestiti večpolno stikalo, ki mora imeti med spoji najmanj 3 mm razmika, ustrežati mora napetosti in veljavnim predpisom.

- Priključitev na električno omrežje je treba opraviti na naslednji način:

RJAVA = linija **L**

MODRA = nevtralna **N**.

• Med podporno površino gorilnih plošč na kuhalniku in najnižjim delom kuhinjske nape mora biti vsaj **65 cm** razdalje. Če za povezavo uporabite dvo ali več delno spojno cev, mora biti zgornja cev nameščena na spodnjo. Ne povežite odtočne cevi nape na cev, v kateri kroži topel zrak ali ki se uporablja za odtok dima naprav, ki se ne napajajo iz električne energije. Preden nadaljujete, snemite filter/protimaščobni filter (Slika 5), da se omogoči lažja namestitev.

- Če nameščate model za izsesavanje zraka, morate namestiti tudi cev za odtok zraka.

• Svetujemo vam uporabo cevi za odvajanje zraka enakega premera kot je ustje za odvajanje zraka. Uporaba reduktorja bi lahko zmanjšala učinke in povečala hrupnost izdelka.

### • Pritrditev na steno

Izvrтайте luknji **A**; upoštevajte oznake (Sl. 2). Pritrdite nabo na steno in jo vodoravno poravnajte s kuhinjskim pohištvom. Ko je napa poravnana, tesno privijte vijaka **A** (Sl. 4). Za različne načine montaže uporabite vijake in vložke, primerne za vrsto stene (npr. armirani beton, mavčna stena, itd). Če so vijaki in vložki že priloženi, preverite, da so primerni tipu stene, na katero bo napa pritrjena.

### • Pritrditev okrasnih teleskopskih elementov

Če je vaša napa modela za izsesavanje zraka ali modela z zunanjim motorjem, pripravite odprtino za odvod zraka. Uravnajte širino podporne ploščice zgornjega elementa (Sl. 3). Nato podporni element pritrdite na strop, tako da ga najprej poravnate z nabo in ga zatesnite z vijakoma **A** (Sl. 3), pri čemer morate upoštevati označeno razdaljo od stropa, kakor prikazuje Sl. 2. Preko priključne cevi povežite prirobico **C** z odprtino za odvod zraka (Sl.4). Zgornji element vstavite v spodnjega. Spodnji element pritrdite na nabo s pomočjo priloženih vijakov **B** (Sl.4), zgornjega pa potegnite do podporne ploščice in ga pritrdite z vijaki **B** (Sl. 3). Če želite nabo modela za izsesavanje zraka spremeniti v nabo za filtriranje zraka, vprašajte vašega dobavitelja za filtre z aktivnim ogljem in upoštevajte navodila za namestitev.

### • Model s filtriranjem

Namestite nabo in spojnika, kakor je navedeno v odstavku

o namestitvi nape modela z izsesavanjem. Za namestitev preusmerjevalnika filtrirnega zraka glejte navodila, ki so priložena opremi. Če oprema ni priložena, jo pri vašem prodajalcu naročite kot dodatek. Filtre je treba namestiti na sesalno ogrodje, ki se nahaja v notranjosti nape, in sicer tako, da jih centralno namestite nanj in jih zavrtite za 90 stopinj, dokler ne zaskočijo (Slika 6).

## UPORABA IN VZDRŽEVANJE

• Vključite napravo, preden začnete pripravljati hrano. Po končanem kuhanju pustite napo delovati še 15 minut, da se zrak popolnoma izčrpa iz prostora.

Za dobro delovanje nape jo je treba pravilno in redno vzdrževati; še zlasti morate biti pozorni na protimaščobni filter in na filter z aktivnim ogljem.

• **Protimaščobni filter** zdržuje maščobo v zraku, zato se lahko bolj ali manj hitro zamaši, odvisno od uporabe nape.

- Da bi preprečili nevarnost morebitnega požara, vsaj vsaka 2 meseca operite maščobne filtre, in sicer ročno z nevtralnim, neabrazivnim detergentom ali v pomivalnem stroju pri nizki temperaturi in s kratkim ciklom.

- Po nekaj pranjih se lahko barva filtrov spremeni. To ni razlog za reklamacijo in morebitno zamenjavo.

• **Filtri z aktivnim ogljem** služijo za čiščenje zraka, ki se znova vrača v prostor in zdržujejo neprijetne vonjave, ki nastajajo pri kuhanju.

- Filtre z aktivnim ogljem, ki jih ni mogoče regenerirati, je treba zamenjati vsaj vsake 4 meseca. Hitrost zasičenja aktivnega oglja je odvisna od bolj ali manj dolgotrajne uporabe naprave, vrste kuhanja in rednosti čiščenja maščobnega filtra.

- Filtre z aktivnim ogljem z možnostjo regeneracije je treba oprati, in sicer ročno z nevtralnim, neabrazivnim detergentom ali v pomivalnem stroju pri temperaturi največ 65°C (filtre perite ločeno, z običajnim ciklom, brez druge posode v pomivalnem stroju). S filterom obrišite odvečno vodo, ne da bi jih pri tem poškodovali; snemite plastične dele in vložke v pečici sušite približno 15 minut pri temperaturi največ 100°C, tako da se popolnoma osušijo. Da bi ohranili učinkovitost delovanja filtra z aktivnim ogljem z možnostjo regeneracije, morate ta postopek ponoviti vsaka 2 meseca. Tovrstne filtre zamenjajte vsaj vsaka 3 leta oziroma takrat, ko opazite, da je filtrirni vložek poškodovan.

• **Pred maščobne filtre in filtre z aktivnim ogljem z možnostjo regeneracije ponovno namestite na napravo, je zelo pomembno, da se dodobra osušijo.**

• **Napo pogosto čistite tako zunaj kot znotraj, pri tem pa uporabite krpo, namočeno z denaturiranim alkoholom ali neabrazivnim tekočim detergentom.**

• Osvetljava je namenjena uporabi med kuhanjem in za daljšo razsvetljavo prostora. Predolga uporaba osvetljave močno zmanjša povprečno življenjsko dobo žarnic.

• Če je naprava opremljena s sobno svetilko, lahko slednjo uporabljate za dolgotrajno osvetljevanje prostora.

• **Pozor:** V primeru neupoštevanja opozoril glede čiščenja nape ter tistih za zamenjavo in čiščenje filtrov obstaja tveganje požara. Zato vam svetujemo, da sledite priporočenim navodilom.

• **Menjava LED žarnic (Slika 7):**

Če je naprava opremljena z LED žarnicami, se morate za zamenjavo slednjih obrniti na specializirane tehnike.

• **Zamenjava halogenskih žarnic (Slika 8):**

Za zamenjavo halogenskih žarnic **B** snemite steklo **C**, tako da ga potisnete v reže.

Žarnice zamenjajte z novimi istega tipa.

**Pozor:** ne dotikajte se žarnic brez zaščitnih rokavic.

• **Zamenjava žarnic z žarilno nitko/halogenih žarnic (Slika 9):**

vedno uporabljajte žarnice enake vrste in moči kot so tiste, ki so nameščene na napravi.

• **Ukazi mehanski (Slika 10)** oznake so razložene v nadaljevanju:

**A** = gumb OSVETLJAVA

**B** = gumb OFF

**C** = gumb PRVA HITROST

**D** = gumb DRUGA HITROST

**E** = gumb TRETJA HITROST.

• **Ukazi Svetleči (Slika 11)** oznake so navedene v nadaljevanju:

**A** = gumb OSVETLJAVA

**B** = gumb OFF

**C** = gumb NAJMANJŠA HITROST

**D** = gumb SREDNJA HITROST

**E** = gumb NAJVEČJA HITROST

**F** = gumb SAMODEJNI IZKLOP ČASOMERILCA 15 minut (\*)

Če ima vaša naprava funkcijo **INTENZIVNE** hitrosti, slednjo vključite tako, da nastavite TRETJO hitrostno stopnjo ter pritisnete gumb **E** in ga zdržite pritisnjena približno 2 sekundi. Ta funkcija deluje 10 minut, zatem pa se ponovno vzpostavi predhodno izbrana hitrost.

Ko je funkcija vključena, LED lučka utripa.

Za izklop funkcije pred potekom 10 minut znova pritisnite gumb **E**.

Pri nekaterih modelih je mogoče to funkcijo vključiti tudi, če naprava deluje na prvi ali drugi hitrostni stopnji.

Če pritisnete gumb **F** in ga držite 2 sekundi, medtem ko je napa izklopljena, se aktivira funkcija za čiščenje zraka ("**clean air**").

Ta vsako uro za 10 minut zažene motor z najmanjšo hitrostjo.

Takoj po aktiviranju funkcije se motor za 10 minut zažene z najmanjšo hitrostjo, medtem morata utripati sočasno gumba **F** in **C**. Po 10 minutah se motor ugasne in lučka led gumba **F** ostane prižgana, dokler se motor po naslednjih 50. minutah ponovno ne zažene z najmanjšo hitrostjo, lučki led **F** in **C** pa ponovno začneta utripati nadaljnjih 10 minut itd. S pritiskom katerega koli gumba razen gumba za prižig luči začne napa znova normalno delovati (npr. s pritiskom gumba **D** se prekine funkcija za čiščenje zraka "**clean air**", motor se prestavi na srednjo hitrost; s pritiskom gumba **B** se funkcija prekine).

(\*) Funkcija "**SAMODEJNI IZKLOP ČASOMERILCA**" prestavi zaustavitev nape za 15 minut, ki bo naprej delovala z isto hitrostjo, kot je bila nastavljena ob vklopu te funkcije.

• **Zasičenost maščobnih filtrov/filtrov z aktivnim ogljem:**  
- Če tipka **A** utripa v presledkih po **2** sekundi, je treba oprati maščobne filtre.

- Če tipka **A** utripa v presledkih po **0,5** sekunde, je treba zamenjati ali oprati filtre z aktivnim ogljem, odvisno od vrste filtra.

Po namestitvi čistega filtra je treba ponastaviti elektronski pomnilnik, kar storite tako, da pritisnete tipko **A** in jo zdržite pritisnjeno približno **5** sekund, dokler ne preneha utripati.

• **Kazi (Slika 12):**

**Gumb A** = vklop/izklop luči.

**Gumb B** = vklop/izklop nape. Napa se vklopi z najmanjšo hitrostjo. Če je napa vključena, pritisnite gumb in ga držite 2

sekundi, da se izklopi. Če je napa nastavljena na najmanjšo hitrost, ni treba pritisniti gumba za izklop. Zmanjša hitrost motorja.

**Prikazovalnik C** = prikazuje izbrano hitrost motorja in vklop časomerilca.

**Gumb D** = vklop nape. Poveča hitrost motorja. S pritiskom na gumb za največjo hitrost se vklopi intenzivna hitrost, ki se po 10 sekundah vrne na hitrost, ki je bila nastavljena ob vklopu. Med to funkcijo prikazovalnik utripa.

**Gumb E** = Ob vklopu nape časomerilec uravnava čas posameznih funkcij 15 minut in se nato izklopi. S ponovnim pritiskom na gumb **E** se časomerilec izklopi. Kadar je časomerilec vključen, na prikazovalniku utripa decimalna pika. Če je napa nastavljena na največjo hitrost, se časomerilec ne more vklopiti.

Če pritisnete na gumb **E** in ga držite 2 sekundi, medtem ko je napa izklopljena, se aktivira funkcija za čiščenje zraka ("clean air").

Ta vsako uro za 10 minut zažene motor z najmanjšo hitrostjo 1. Med delovanjem nape se mora na prikazovalniku pokazati vrtljivo gibanje perifernih segmentov. Po 10 minutah motor ugasne, na prikazovalniku pa se pokaže črka "C", ki izgine šele, ko se po motor po 50 minutah ponovno zažene za 10 minut itd. Če želite ponovno nastaviti napo na normalno delovanje, pritisnite kateri koli gumb razen tistega za vklop luči. Če želite funkcijo preklizati, pritisnite gumb **E**.

#### • Zasičenost maščobnih filtrov/filtrov z aktivnim ogljem:

-Ko prične zaslon **C** utripati, pri čemer se na njem izmenično prikazujeta izpis delovne hitrosti in črka **F** (npr. **1** in **F**), je treba oprati maščobne filtre.

-Ko prične zaslon **C** utripati, pri čemer se na njem izmenično prikazujeta izpis delovne hitrosti in črka **A** (npr. **1** in **A**), je treba zamenjati ali oprati filtre z aktivnim ogljem, odvisno od modela.

Po namestitvi čistega filtra je treba ponastaviti elektronski pomnilnik, kar storite tako, da pritisnete tipko **A** in jo zadržite pritisnjeno približno **5 sekund**, dokler črka **F** oziroma **A** na zaslonu **C** ne preneha utripati.

#### • Mehanski gumbi (slika 13): njihov pomen je naveden spodaj:

**A**= gumb za VKLOP-IZKLOP LUČI

**B**= gumb za IZKLOP/NASTAVITEV PRVE STOPNJE HITROSTI

**C**= gumb za IZBIRO DRUGE STOPNJE HITROSTI

**D**= gumb za IZBIRO TRETJE STOPNJE HITROSTI

Če napo ugasnete, medtem ko deluje na prvi, drugi ali tretji stopnji hitrosti, bo ob ponovnem vklopu delovala na taki hitrosti, kot je bila izbrana ob izklopu.

**PROIZVAJALEC NE SPREJEMA ODGOVORNOSTI ZA MOREBITNO NASTALO ŠKODO, ČE SE NE UPOŠTEVAJO ZGORAJ NAVEDENA OPOZORILA.**

**HRVATSKI**

**HR**

#### OPĆENITO

Pažljivo prečitajte ovaj priručnik pošto on sadrži važne upute o sigurnosti postavljanja, uporabe i održavanja. Čuvajte ovaj priručnik za buduće potrebe.

Ovaj aparat je osmišljen u namjenu isisavanja (odvođenja zraka vani - sl.1B), filtriranja (recikliranja zraka u unutrašnjosti - sl.1A), odnosno s vanjskim motorom (sl.1C).

#### UPOZORENJA ZA SIGURNOST

1. Pazite da istovremeno ne rade isisna napa i bilo kakav plamenik koji ovisi o zraku u prostoriji i napaja se energijom koja nije električna, budući da napa dok isisava oduzima u prostoriji zrak potreban plameniku za izgaranje. Negativni pritisak u prostoriji ne smije prijeći 4 Pa (4x10<sup>-5</sup> bar). U svrhu sigurnog rada potrebno je, dakle, osigurati primjereno provjetrivanje prostorije. Kod namjene odvođenja zraka vani, pridržavajte se propisa na snazi u vašoj zemlji.

#### Prije priključivanja aparata na električnu mrežu:

-Provjerite pločicu s podacima (u unutrašnjosti aparata), kako bi ste bili sigurni da napon i snaga aparata odgovaraju vašoj električnoj mreži te da je utičnica odgovarajuće vrste. U slučaju bilo kakve sumnje, obratite se kvalificiranom električaru.

-Ako je električni kabel oštećen, treba ga zamijeniti naročitim kabeonom ili skupinom, na raspolaganju kod Proizvođača ili kod vaše tehničke službe.

-Uređaj treba spojiti na električnu mrežu pomoću utikača s osiguračem od 3A ili na dvije dvofazne žice zaštićene osiguračem od 3A.

#### 2. Pozor!

**U određenim okolnostima kućanski aparati mogu biti opasni.**

**A) Nemojte provjeravati filtere dok napa radi.**

**B) Ne dirajte žarulje ni prostor u njihovoj blizini tijekom i neposredno nakon duže upotrebe rasvjetne instalacije.**

**C) Zabranjeno je pripremati flambirana jela ispod nape.**

**D) Izbjegavajte otvoreni plamen jer on šteti filterima i predstavlja opasnost od požara.**

**E) Stalno provjeravajte hranu koju pržite kako bi spriječili da se pregrijano ulje zapali.**

**F) Prije obavljanja bilo kakvog održavanja isključite napu iz električne mreže.**

**G) Ovaj aparat nije namijenjen uporabi od strane djece ili osoba koje treba nadzirati.**

**H) Pazite da se djeca ne igraju s aparatom.**

**I) Ako napu koristite istovremeno s uređajima na izgaranje plina ili drugih goriva, morate prozračivati prostoriju na odgovarajući način.**

**L) Ako se ne pridržavate uputa za čišćenje, postoji opasnost da će doći do požara.**

Ovaj aparat je označen u skladu s Direktivom 2002/96/EZ europskog Parlamenta o električnom i elektronskom otpadu. Osiguravajući rashodovanje ovog proizvoda na ispravan način, korisnik pridonosi sprječavanju mogućih negativnih posljedica po okoliš i po zdravlje.



Symbol na proizvodu ili na dokumentima koji ga prate označava da se s tim proizvodom ne smije postupati kao s komunalnim otpadom, već ga treba predati odgovarajućem mjestu skupljanja električnih i elektronskih kućanskih aparata za recikliranje. Aparat treba rashodovati slijedeći lokalne propise za odlaganje otpada. Radi daljnjih obavijesti o zbriježavanju ovog proizvoda, njegovom preuzimanju i recikliranju, obratite se odgovarajućem mjesnom uredu, službi za skupljanje komunalnog otpada ili prodavaonici u kojoj ste ga kupili.

#### UPUTE ZA POSTAVLJANJE

• Montiranje i električni priključak treba obaviti stručno usavršeno osoblje.

• Koristite zaštitne rukavice prije nego što počnete sa

## operacijama montaže.

### • Električni priključak:

- Aparat je napravljen u klasi II, stoga ni jedan kabel ne treba spojiti na uzemljenje.

Nakon postavljanja aparata, utikač mora biti lako dostupan. U slučaju da aparat ima kabel bez utikača, za priključenje na električnu mrežu treba između aparata i mreže instalirati polaritetni prekidač s rasponom između kontakata od najmanje 3 mm, koji odgovara opterećenju i u skladu je s propisima na snazi.

- Priključak na električnu mrežu treba izvesti kako slijedi:

SMEDE = L faza  
PLAVO = N nula.

• Najmanja udaljenost između površine na štednjaku na koju se stavljaju posude za kuhanje i najnižeg dijela kuhinjske nape treba biti barem **65 cm**. Kod upotrebe cijevi za spajanje od dva ili više dijelova, gornji dio treba staviti izvan donjeg. Nemojte spajati odvod nape na cijev kojom kruži topao zrak ili se koristi za izbacivanje plinskih para aparata na napajanje energijom koja nije električna. Prije početka montiranja, a radi lakšeg rukovanja aparatom, izvadite filter(e) za masnoću (sl.5).  
- U slučaju montiranja aparata u isisnoj verziji, potrebno je napraviti otvor za odvođenje zraka.

• Savjetujemo korištenje cijevi za izbacivanje zraka koji ima isti promjer kao i otvor za izbacivanje zraka. Uporaba cijevi manjeg promjera može dovesti do smanjenja učinkovitosti proizvoda i do povećanja razine buke.

### • Učvršćivanje na zid

Napravite otvore **A** poštujući navedene mjere (sl. 2). Učvrstite aparat na zid i vodoravno ga poravnajte s visećim ormarićima. Po obavljanom namještanju, učvrstite konačno napu pomoću 2 vijka **A** (sl. 4). Za montiranje koristite vijke i udarne tiple koji odgovaraju vrsti zida (npr. armirani beton, gipsane ploče, itd.). Ako se vijci i tiple dostavljaju zajedno s proizvodom, provjerite da odgovaraju vrsti zida na kojem ćete učvrstiti napu.

### • Učvršćivanje rasklopnih dekorativnih spojeva

Namjestite električni kabel u prostoru kojeg zauzima dekorativni spoj. Ako vaš aparat treba postaviti u isisnoj verziji ili u verziji s vanjskim motorom, morate napraviti otvor za odvođenje zraka. Podesite širinu zidnog oslonca za gornji spoj (sl. 3). Zatim vijcima **A** (sl. 3) te poštujući udaljenost od stropa navedenu na sl. 2 učvrstite oslonac na strop tako da bude u osovini s vašom napom. Spojite – pomoću spojne cijevi - prirubnicu **C** na otvor za odvođenje zraka (sl. 4). Uvucite gornji spoj u donji i položite na plašt. Izvucite gornji spoj sve do zidnog oslonca i učvrstite ga vijcima **B** (sl. 3). Da bi ste napu iz isisne verzije preinačili u verziju za filtriranje, potražite kod vašeg Prodavača ugljene filtere i slijedite upute za montiranje.

### • Verzija za filtriranje

Postavite napu i dva spoja kako se navodi u odjeljku koji se odnosi na montiranje nape u isisnoj verziji. Za montiranje skretnika filtriranog zraka proučite uputstva koja ćete naći s opremom. Ako ta oprema nije dostavljena, naručite je kod vašeg Prodavača kao pribor. Filtere je potrebno staviti na isisnu skupinu koja se nalazi u unutrašnjosti nape, centrirati ih na skupini i okrenuti za 90 stupnjeva sve dok se ne zakoče (sl.6).

## UPORABA I ODRŽAVANJE

• Preporučujemo da aparat pokrenete prije početka kuhanja bilo kojih namirnica. Preporučujemo da aparat ostavite uklju-

čen 15 minuta nakon završetka kuhanja hrane, radi potpunog odvođenja pokvarenog zraka.

Dobar rad nape ovisi o ispravnom i stalnom održavanju; naročito pozornost treba posvetiti filteru za masnoću i ugljenom filteru.

• **Zadatak filtera** za masnoću jest zadržavanje čestica masnoće koje lebde u zraku pa je on stoga podložan začepljivanju uvijek u različitim vremenskim razmacima, a ovisno o upotrebi aparata.

- Da bi se spriječilo eventualno izbijanje požara, svako najviše 2 mjeseca operite ručno filtre za odstranjivanje masnoće a pri tome koristite neutralne deterdžete koji ne grebu, ili ih stavite u perilicu posuda na niskoj temperaturi i uključite kratak ciklus pranja.

- Nakon što operete filtere nekoliko puta primijetit ćete da oni mijenjaju boju. Takva promjena boje Vam ne daje pravo za reklamaciju i niti ćete zbog toga dobiti pravo na njihovu eventualnu zamjenu.

• **Aktivni karbonski filteri** imaju ulogu pročišćavanje zraka koji se ponovno vraća u ambijent te isto tako imaju i funkciju odstranjivanja neugodnih mirisa koji se stvaraju za vrijeme kuhanja.

- Aktivni karbonski filteri koji se ne obnavljaju se trebaju zamijeniti za najviše 4 mjeseca. Zasićenje aktivnog karbonskog filtra će ovisiti o tome koliko često se koristi ovaj aparat, o načinu kuhanja i o tome da li se čišćenje filtra za odstranjivanje masnoće obavlja na pravilan način.

- Aktivni karbonski filteri koji se obnavljaju se trebaju oprati ručno, uz pomoć neutralnih deterdženata koji ne grebu ili u perilici posuda na maksimalnoj temperaturi od 65°C (kompletni ciklus pranja bez drugog posuda unutra). Odstranite višak vode bez da time oštetite filter, skinite plastične dijelove, osušite madračić u peći u trajanju od 15 minuta na temperaturi od maksimalno 100°C. Da bi karbonski filter ostao efikasnim potrebno je da ponovite ovu operaciju svako 2 mjeseca. Njega trebate zamijeniti maksimalno svako 3 godine ili kada primijetite da je madračić oštećen.

• **Prije nego što ponovno postavite filtere za odstranjivanje masnoće i aktivne karbonske filtere koji se obnavljaju važno je da ih dobro osušite.**

• **Često obavljajte čišćenje kuhinjske nape bilo iznutra bilo izvana pomoću deetiliranog alkohola ili neutralnih tekućih deterdženata koji ne grebu.**

• Rasvjetna instalacija namijenjena je korištenju tijekom kuhanja, a ne produženoj uporabi u svrhu rasvjete prostorije uopće. Produženo korištenje rasvjete znatno smanjuje životni vijek žarulja.

• Ako aparat ima na sebi svjetlo za osvijetljavanje ambijenta ono se može koristiti i kao dodatna rasvjeta ambijenta.

• **Pozor:** nepoštovanje upozorenja o čišćenju kuhinjske nape te o zamjeni i čišćenju filtera dovodi do povećavanja rizika od nastajanja požara. Stoga Vam preporučujemo da se pridržavate navedenih upozorenja.

### • Zamjena lampica Indikacionih Svjetala (sl.7):

Ako je verzija aparata kojeg posjedujete ima lampice sa INDIKACIONIM SVJETLIMA prilikom zamjene intervenciju treba obaviti specijalizirani tehničar.

### • Zamjena halogenih žarulja (sl.8):

Da bi zamijenili halogene žarulje **B**, skinite stalce **C** pritiskom kroz odgovarajuće otvore.

Zamijenite žaruljama iste vrste.

**Pozor!** Ne dirajte žarulje golim rukama.

### • Zamjena halogenih lampa/sijalica (sl.9):

Koristite samo lampe istog tipa i snage prilikom instalacije

na aparat.

• **Upravljačke tipke mehaničke (sl.10)** - slijedi opis simbola:

- A** = tipka RASVJETA
- B** = tipka OFF
- C** = tipka PRVA BRZINA
- D** = tipka DRUGA BRZINA
- E** = tipka TREĆA BRZINA.

• **Upravljačke tipke Svjetleće (sl.11)** slijedi opis simbola.

- A** = tipka RASVJETA
- B** = tipka OFF
- C** = tipka PRVA BRZINA
- D** = tipka DRUGA BRZINA
- E** = tipka TREĆA BRZINA
- F** = tipka TIMER AUTOMATSKO ZAUSTAVLJANJE 15 minuta (\*)

Ako je vaš aparat opremljen funkcijom za **INTENZIVNU** brzinu polazeći od TREĆE brzine i držeći pritisnutom u trajanju od otprilike 2 sekunde tipku **E** ona će se aktivirati u trajanju od 10 minuta nakon čega će se vratiti na prethodno namještenu brzinu. Kada je funkcija aktivna LED svjetlo bliješti. Da biste prekinuli tu funkciju prije nego što istekne 10 minuta ponovno pritisnite tipku **E**. Kada se radi o pojedinim modelima moguće je aktivirati ovu funkciju čak i na prvoj i drugoj brzini.

Pritiskom tipke **F** u trajanju od 2 sekunde (dok je napa isključena), pokreće se funkcija "čisti zrak". Ova funkcija pali motor svakih sat vremena u trajanju od 10 minuta u prvoj brzini. Čim se funkcija pokrene, motor se pokreće u prvoj brzini u trajanju od 10 minuta, tijekom kojih trebaju istovremeno treptati tipka **F** i tipka **C**. Po isteku tog vremena motor će se ugasiti, a LED žaruljica tipke **F** ostaje stalno upaljena sve dok se nakon 50 minuta motor ponovno ne pokrene u prvoj brzini, a LED žaruljice **F** i **C** ne počnu treptati u trajanju od 10 minuta, i tako dalje. Pritiskom na bilo koju tipku osim one za svjetla, napa se odmah vraća na uobičajeni način rada (npr. ako pritisnete tipku **D** zaustavlja se funkcija "čisti zrak", a motor odmah prelazi na drugu brzinu; pritisnom tipke **B** funkcija se zaustavlja).

(\*) Funkcija "TIMER AUTOMATSKO ZAUSTAVLJANJE" odgđa zaustavljanje nape, koja će nastaviti s radom onom brzinom kojom je radila u trenutku pokretanja ove funkcije i to u trajanju od 15 minuta.

• **Zasićenje filtra za Odstranjivanje masnoće/Aktivnog karbonskog filtra:**

-Kada tipka **A** bliješti u trajanju od **2 sekunde** filteri za odstranjivanje masnoće se trebaju oprati.  
-Kada tipka **A** bliješti u trajanju od **0,5 sekundi** aktivni karbonski filteri se trebaju oprati ili zamijeniti s obzirom na vrstu filtra.

Nakon što umetnete čisti filter trebete obaviti resett elektronske memorije na način da pritisnete tipku **A** u trajanju od otprilike **5 sek.** sve dok ne prestane bliještiti.

• **Upravljačke tipke (sl.12):**

- Tipka A** = pali/gasi svjetla.
- Tipka B** = uključuje/isključuje napu. L'aparat si accende alla 1<sup>a</sup> velocit'. Ako je napa uključena, držite tipku pritisnutu 2 sekunde da bi ste je isključili. Kad napa radi u prvoj brzini, ne trebete držati tipku pritisnutu da bi ste je isključili. Smanjuje brzinu motora.
- Digitalni pokazivač C** = pokazuje odabranu brzinu motora i pokretanje timera.
- Tipka D** = uključuje napu. Povećava brzinu motora. Pritiskom na ovu tipku od treće brzine se pokreće funkcija intenzivnog

rada u trajanju od 10', a zatim se aparat vraća na rad u brzini kojom je radio u trenutku pokretanja. Dok je ova funkcija pokrenuta, digitalni pokazivač trepti.

**Tipka E** = u trenutku uključivanja timer podešava vrijeme trajanja funkcija na 15 minuta, nakon čega se one zaustavljaju. Timer se isključuje ponovnim pritiskom na tipku **E**. Kad je funkcija Timer pokrenuta, na digitalnom pokazivaču treba treptati decimalna točka. Ako uređaj radi intenzivnom brzinom, Timer se ne može pokrenuti.

Pritiskom na tipku **E** u trajanju od 2 sekunde kad je aparat isključen pokreće se funkcija "čisti zrak". Ta funkcija svakih sat vremena pokreće motor 10 minuta u prvoj brzini. Tijekom funkcioniranja digitalni pokazivač treba prikazivati kružno kretanje krajnjih crtica. Po isteku tog vremena motor se gasi, a digitalni pokazivač treba prikazivati slovo "C" – nepomično, sve dok se nakon slijedećih 50 minuta motor ponovno ne pokrene 10 minuta, i tako dalje. Da bi se uređaj vratio na uobičajeni rad, pritisnite bilo koju tipku osim one za svjetla. Funkciju se zaustavlja pritisnom na tipku **E**.

• **Zasićenje filtra za Odstranjivanje masnoće/Aktivnog Karbonskog Filtra:**

-Kada na zaslonu **C** bliješti slovo **F** i mijenja brzinu rada (npr.1 i **F**) filteri za odstranjivanje masnoće se trebaju oprati.

-Kada na zaslonu **C** bliješti slovo **A** i mijenja brzinu rada (npr.1 i **A**) aktivni karbonski filteri se trebaju oprati ili zamijeniti s obzirom na vrstu filtra.

Nakon što umetnete čisti filter trebete obaviti resett elektronske memorije na način da pritisnete tipku **A** u trajanju od otprilike **5 sek.** sve dok ne prestane bliještiti signalizacija **F** ili **A** na zaslonu **C**.

• **Mehaničke komande (sl.13)** : simboli se navode ovdje:

- A**= tipka SVJETLO / ON-OFF
- B**= tipka OFF / PRVA BRZINA
- C**= tipka DRUGA BRZINA
- D** = tipka TREĆA BRZINA.

Ako je kuhinjska napa isključi u trenutku u kojem je u prvoj, drugoj ili trećoj brzini, kada je naknadno uključite nastavit će sa radom na istoj brzini na kojoj je bila u trenutku isključivanja.

**OTKLANJA SE SVAKA ODGOVORNOST ZA ŠTETU NASTALU USLIJED NEPOŠTIVANJA GORE NAVEDENIH UPOZORENJA.**

**LATVIEŠU**

**LV**

**VISPĀRĒJI NORĀDĪJUMI**

Uzmanīgi izlasīt šīs grāmatīņas saturu, jo tā sniedz svarīgus norādījumus par instalācijas drošību, lietošanu un apkopi. Glabāt grāmatīņu, lai varētu pie tās griezties, kad parādās tāda nepieciešamība. Ierīce tika izveidota lietošanai iesūkšanas versijā (gaisa evakuācija uz ārpusi - Att.1B) un versijā ar filtru (gaisa savākšana uz iekšpusi - Att.1A) vai ar ārēju dzinēju (Att.1C).

**DROŠĪBAS NORĀDĪJUMI**

1. Īpaša uzmanība jāpievērš gadījumiem, kad tvaiku nosūcējs darbojas vienlaicīgi ar plīti vai degli, kuru darbība atkarīga no gaisa pieplūdes telpā un kuros tiek izmantots kurināmais, nevis elektroenerģija. Tvaiku nosūcējstīvdzina no telpām gaisu, kurš nepieciešams šādai ierīcī normalai darbībai. Negatīvais spiediens telpās nedrīkst nokristies zemāk par 4 Pa (4 x 10<sup>-5</sup>



bāriem). Lai tvaiku nosūcējs varētu normāli pildīt savas funkcijas, telpās jānodrošina laba ventilācija. Ievērojiet spēkā esošos iekštelņu gaisa atsūkņēšanas noteikumus.

#### **Pirms pievienot ierīci maiņstrāvas elektrotīklam:**

-Iepazīstieties ar informāciju uz ierīces etiķetes (tā piestiprināta piltuves iekšpusē), lai pārliecinātos, ka pievadāmais spriegums un jauda, kā arī tīkla spraudnis atbilst jūsu elektrotīkla pieslēgumam.

Neskaidribu gadījumos konsultējieties ar profesionālu elektromontieri.

-Ja tīkla pieslēguma vada izolācija ir bojāta, tas jāaizstāj ar jaunu vadu vai speciālu konstrukciju, kuru iespējams pasūtīt tiešā veidā no ražotāja vai Tehniskās Palīdzības nodaļas.

-Pieslēdziet ierīci pie strāvas avota, lietojot spraudni, kas ir aprīkots ar 3 A drošinātāju, vai 2 divu fāžu vadus, kas ir aizsargāti ar 3 A drošinātāju.

#### **2. Brīdinājums!**

**Zināmos apstākļos elektroiekārta var radīt draudus veselībai un dzīvībai.**

**A) Nosūcējam darbojoties kategoriski aizliegts pārbaudīt filtru stāvokli.**

**B) Nepieskarieties ieslēgtām vai tikko izslēgtām spuldzēm un to tuvākajai apkārtnēi.**

**C) Zem nosūcēja piltuves aizliegts cept uz atklātas liesmas.**

**D) Izvairoties no atklātas liesmas, jo tā bojā filtrus un var izraisīt ugunsgrēku.**

**E) Kontrolējiet cepšanas procesus, jo pārkarsēta eļļa var izraisīt ugunsgrēku.**

**F) Pirms jebkādu apkopes darbu veikšanas atvienojiet ierīci no maiņstrāvas tīkla.**

**G) Šo ierīci bez uzraudzības nedrīkst izmantot bērni un veci, vārgi cilvēki.**

**H) Jāseko tam, lai mazgadīgi bērni neizmantoju ierīci rotājās.**

**I) Ja telpā, kurā uzstādīts nosūcējs, tiek izmantots gāzes vai kāda cita kurināmā pavards, jānodrošina pienācīga telpas ventilācija.**

**L) Ja tirot iekārta netiek ievēroti instrukcijās sniegtie norādījumi, var rasties ugunsgrēka draudi.**

Iekārta atbilst Eiropas direktīvas EC/2002/96 "Elektrisko un elektronisko iekārta atkritumi" (WEEE) prasībām. Parūpējoties par to, lai atbrīvošanās no šīs ierīces notiktu pienācīgā veidā, īpašnieks novērsīs iespējamos draudus apkārtējai videi un cilvēku veselībai.



Simbols uz ierīces vai klātpieliktajā dokumentācijā liecina par to, ka no šīs ierīces nav pieļaujams atbrīvoties tāpat, kā no sadzīves atkritumiem, bet tā jānogādā specializētā elektrisko un elektronisko ierīču savākšanas un pārstrādes punktā. Atbrīvojoties no atkritumiem ievērojiet vietējos noteikumus. Lai iegūtu sīkāku informāciju par atbrīvošanos no šīs ierīces un tās atkārtotu izmantošanu vai pārstrādi, sazinieties ar vietējām varas iestādēm, atkritumu savākšanas firmām vai konsultējaties veikalā, kurā ierīce tika iegādāta.

### **UZSTĀDĪŠANAS INSTRUKCIJA**

• **Montāžu un pievienošanu elektrotīklam jāveic profesionāļiem.**

• **Izmantot aizsargcimdus pirms sākt montāžas darbus.**

• **Elektropieslēgums:**

Iekārta ir izgatavota atbilstoši II klases izolācijas standartiem

un tai nav nepieciešams zemējums. Pēc iekārta uzstādīšanas kontaktspraudņim jābūt brīvi pieejamam. Ja iekārta ir barošanas vads bez kontaktspraudņa, starp iekārta un barošanas avotu saskaņā ar elektrodrošības noteikumiem jāuzstāda piemērots viena pola slēdzis ar vismaz 3 mm atstarpi starp kontaktiem.

Pieslēgums pie elektrotīkla jāveic šādi:

BRŪNS = L līnija;

ZILS = N neitrāls.

• Minimālais attālums no plīts trauku atbalsta virsmām līdz tvaiku nosūcēja zemākajam punktam nedrīkst būt mazāks par **65 cm**. Ja gaisa cauruļvads tiek montēts no divām daļām, zemākā cauruļvada daļa jāievieto augstākajā. Nepievienojiet tvaiku nosūcēja cauruļvadu ventilācijas šahtai, kura tiek izmantota karstā gaisa cirkulācijai, vai dūmvadam, kas pieslēgts neelektriska kurināmā plītij. Pirms montāžas operāciju uzsākšanas noņemiet prettauku filtru(-s) (5.att.), lai ierīci būtu ērtāk satvert.

- Ja ierīce tiek montēta darba nosūkšanas režīmā, vispirms jāsigatavo gaisa izplūdes atvere.

• Tiek ieteikts izmantot gaisa evakuācijas cauruļvadu ar tādu pašu diametru kā gaisa izejas atlokam. Pārējas izmantošana varētu samazināt ierīces rezultātu un paaugstināt trokšņainību.

#### **• Sienas stiprinājumi**

Stiprināšanas vietā urbjiet caurumus sienā minētajā attālumā vienu no otra (2. att.). Piestipriniet ierīci pie sienas un nolīmeņojiet to horizontālā stāvoklī. Kad ierīce nolīmeņota, nofiksējiet to, pievelkot līdz galam stiprinājuma skrūves **A** (4. att.). Atkarībā no uzstādīšanas vietas izmantojiet stiprināšanas skrūves vai enkurbultas, kas piemērotas sienas materiālam (piem., dzelzsbetonam, apmetuma plāksnēm u. tml.). Ja ierīces komplektācijā ir skrūves, pārliecinieties, vai tās ir piemērotas sienai, pie kuras tiks stiprināts nosūcējs.

#### **• Dekoratīvā teleskopiskā gaisvada nostiprināšana**

Levietojojiet elektriskā pieslēguma vada dekoratīvajā gaisvadā. Ja ierīci paredzēts uzstādīt kā ventilācijas sistēmas sastāvdaļu vai kā versiju ar ārējo motoru, sagatavojiet gaisa izplūdes atveri. Noregulējiet gaisvada augšējā stiprinājuma skavas platumu (3. att.). Pēc tam, izmantojot skrūves **A** (3. att.), piestipriniet to pie griestiem tā, lai tas atrastos vienā līnijā ar nosūcēju un tiktu ievērots 2. attēlā minētais attālums no griestiem. Savienojiet uzmalu **C** ar gaisa izplūdes atveri, izmantojot savienojošo cauruli (4. att.). Augšējo gaisvadu ievietojiet apakšējā gaisvadā. Apakšējo gaisvadu piestipriniet pie nosūcēja, izmantojot piegādātās skrūves **B** (4. att.), pabīdīet augšējo gaisvadu uz augšu un nostipriniet ar skrūvēm **B** (3. att.). Lai pārbūvētu tvaiku nosūcēju pie filtrējošu iekārta, pasūtiet pie izplatītāja aktīvās ogles filtrus un uzstādiat tos, ņemot vērā instrukcijas.

#### **• Versija ar filtrāciju**

Uzstādiat piltuvi un abus gaisvadus tā, kā tas aprakstīts nodaļā par piltuves uzstādīšanu ventilācijas versijā. Filtru sistēmas montāža aprakstīta klātpieliktajā instrukcijā. Ja komplektācijā nav iekļauts filtru komplekts, pasūtiet to pie izplatītāja. Filtri jāuzmontē sūkņēšanas ierīcei piltuves iekšpusē. Filtrus jānocostrē pagriežot par 90 grādiem, līdz noklikšī atdures fiksators (6. att.).

### **IZMANTOŠANA UN APKOPE**

• Ierīci ieteicams ieslēgt pirms ir uzsākta ēdienu gatavošana.

Pēc ēdiena gatavošanas beigām ieteicams darbināt nosūcēju vēl kādas 15 minūtes, lai pilnībā izvadītu no telpām tvaikus uz smakas. Lai iekārta varētu sekmīgi darboties, jāveic regulāras apkopes procedūras. Ipaša uzmanība jāpievērš aktīvās ogles filtra stāvoklim.

- Prettauku filtri uzver gaisā esošās taukvielu daļiņas un šī iemesla dēļ tie atkarībā no ierīces izmantošanas intensitātes agrāk vai vēlāk nosprostojas.

- Lai izvairītos no iespējamajiem ugunsgrēkiem, maksimums katru 2.mēnesi, ir nepieciešams mazgāt prettauku filtrus rokām, izmantojot neitrālus neabrazīvus mazgāšanas līdzekļus, vai arī trauku mazgājamā mašīnā pie zemas temperatūras un ar īsiem cikliem.

- Pēc dažām mazgāšanām, var parādīties krāsas izmaiņas. Šis fakts nesniedz tiesības, lai pieprasītu to maiņu.

- **Aktīvās ogles filtri** ir domāti, lai attīrītu gaisu, kas tiek nosūtīts vidē un to funkcija ir mikstināt nepatīkamas smaržas, kas rodas no ēdiena pagatavošanas.

- Neatjaunojamajiem aktīvās ogles filtriem ir jābūt nomainītiem maksimums katru 4.mēnesi. Aktīvās ogles piesātināšanās ir atkarīga no ierīces ilgākas vai īsākas izmantošanas, no virtuves veida un no biežuma, ar kuru tiek veikta prettauku filtra tīrīšana.

- Atjaunojamajiem aktīvās ogles filtriem ir jābūt mazgātiem ar rokām, ar neitrāliem un neabrazīviem mazgāšanas līdzekļiem, vai arī trauku mazgājamā mašīnā pie temperatūras maksimums 65°C (mazgāšanas ciklam ir jābūt pilnam bez traukiem). Noņemot pārlieku ūdeni nebojājot filtru, noņem plastmasas daļas un izžāvēt matrasīti plīti vismaz 15 minūtes pie temperatūras maksimums 100°C. Lai uzturētu atjaunojamā ogles filtra funkcijas iedarbīgas, ir jāatkārto šī operācija katru 2.mēnesi. Tiem ir jābūt nomainītiem maksimums katru 3.gadu, vai arī kad matrasīti ir bojāts.

- **Pirms novietot atpakaļ atjaunojamās prettauku filtrus un aktīvās ogles filtrus, ir svarīgi lai tie ir labi uzžāvēti.**

- **Regulāri jānotīra arī ventilatora un nosūcēja piltuves virsmas izmantojot denaturāta spirta vai neabrazīva mazgāšanas līdzekļa šīdumā samērcētu lupatiņu.**

- Piltuve iebūvētais apgaismojums paredzēts izmantošanai ēdiena gatavošanas laikā un nav piemērots ilgstošai telpas apgaismošanai. Ilgstoša apgaismojuma izmantošana ievērojami saīsinās spuldžu kalpošanas laiku.

- Ja ierīce ir aprīkota ar **vides apgaismojumu**, tā var būt izmantota vides vispārējā apgaismojuma garākai lietošanai.

- **Uzmanību!** tvaiku nosūcēja tīrīšanas un filtru maiņas un tīrīšanas brīdinājumu neievērošana, var veicināt ugunsgrēku riskus. Iesakām pieturēties pie ieteiktajām instrukcijām.

#### • **Nomainīt LED spuldzītes (7. attēls):**

Ja ierīces versija nav ar **LED** spuldzītēm, ir nepieciešama iekaušanas no specializētā tehniskā darbinieka puses.

#### • **Halogēngaismas spuldžu nomaiņa (8. attēls):**

Lai nomainītu halogēngaismas spuldzes **B**, noņemiet stikla pārklājumu **C**, izmantojot sviru atbilstošās spraugās.

Nomainiet spuldzes ar tāda paša veida jaunām spuldzēm.

**Uzmanību!** Nepieskarīties gaismas spuldei ar kailām rokām.

#### • **Kvēlspuldzišu/halogēnspuldzišu nomainīšana (9. attēls):**

Izmantot tikai tāda paša veida un sprieguma spuldzītes, kas ir instalētas uz ierīces.

- **Vadība (10.att.) mehāniska** taustiņu apzīmējumi paskaidroti zemāk:

**A** = APGAISMOJUMS

**B** = IZSLĒGTS

**C** = ĀTRUMS I

**D** = ĀTRUMS II

**E** = ĀTRUMS III.

- **Komandas gaismas (11.attēls)** taustiņu simboli ir paskaidroti turpmāk:

**A** = APGAISMOJUMS

**B** = IZSLĒGTS

**C** = I ĀTRUMS

**D** = II ĀTRUMS

**E** = III ĀTRUMS

**F** = AUTOMĀTISKĀS APTURES TAIMERS - 15 minūtes (\*).

Ja jūsu ierīce ir aprīkota ar **INTENSĪVĀ** ātruma funkciju, uz sākot darbību **TREŠAJĀ** ātrumā un turot piespiestu aptuveni 2 sekundes taustu **E**, **INTENSĪVAIS** ātrums tiks iedarbināts 10 minūtes, pēc kā atgriezīsies iepriekš uzstādītajā ātrumā. Kad funkcija ir iedarbināta, **LED** mirguļo. Lai to pārtrauktu pirms 10 minūtēm, no jauna piespiest taustu **E**.

Dažiem modeļiem ir iespējams iedarbināt funkciju arī ar pirmo un otro ātrumu.

Ja, tvaika nosūcējam esot izslēgtam, uz divām sekundēm nospiedīsiet **F** taustiņu, ieslēgsies "**svaiga gaisa**" funkcija. Šī funkcija ik stundu uz desmit minūtēm ieslēgs iekārta pirmajā ātrumā. Ieslēdzot šo funkciju, iekārtas motors desmit minūšu darbosies pirmajā ātrumā, un **F** un **C** taustiņi vienlaicīgi mirgos. Pēc desmit minūtēm iekārtas motors izslēgsies, bet **F** taustiņa gaismas diode turpinās degt ar pastāvīgu gaismību. Pēc 50 minūtēm iekārtas motors atkal ieslēgsies pirmajā ātrumā, un **F** un **C** taustiņi sāks mirgot. Pēc tam iepriekš aprakstītais process sāksies no sākuma. Nospiežot jebkuru taustiņu, izņemot tvaika nosūcēja apgaismojuma taustiņu, tvaika nosūcējs nekavējoties ieslēgsies normālas darbības režīmā. Piemēram, nospiežot **D** taustiņu, "**svaiga gaisa**" funkcija izslēgsies, un iekārtas motors ieslēgsies otrajā ātrumā. Nospiežot **B** taustiņu, funkcija tikai izslēgsies.

(\* ) "**AUTOMĀTISKĀS APTURES TAIMERS**" aizkavē tvaika nosūcēja ieslēgšanos, un iekārta 15 minūtes turpinās darboties ar ātrumu, pie kura attiecīgā funkcija tika ieslēgta.

#### • **Prettauku/Aktīvās ogles filtru piesātināšanās:**

- Kad tausts **A** mirguļo ar **2 sekunžu** biežumu, prettauku filtriem ir jābūt mazgātiem.

- Kad tausts **A** mirguļo ar **0,5 sek.** biežumu, aktīvās ogles filtriem ir jābūt nomainītiem vai mazgātiem atkarībā no filtra veida.

Kad tīrais filtrs ir novietots atpakaļ, ir nepieciešams iestatīt uz nulli elektronisko atmiņu, piespiežot taustu **A** aptuveni **5 sek.** līdz ko beidz mirguļot.

#### • **Komandas (12. attēls):**

**Spiedpoga A** = gaismu ieslēgšanas/izslēgšanas slēdzis.

**Spiedpoga B** = tvaika nosūcēja pārsega ieslēgšanas/izslēgšanas slēdzis. Iekārta ieslēdzas pirmajā ātrumā. Ja tvaika nosūcēja pārsegs ir ieslēgts, lai tvaika nosūcēja pārsegu izslēgtu, nospiediet spiedpogu uz divām sekundēm. Ja tvaika nosūcēja pārsegs ir ieslēgts pirmajā ātrumā, lai tvaika nosūcēja pārsegu izslēgtu, spiedpoga nav jānospiež. Samazina motora ātrumu. **Displejs C** = norāda izvēlēto motora ātrumu un taimera iestatījumu.

**Spiedpoga D** = ieslēdz tvaika nosūcēja pārsegu. Palielina motora ātrumu. Ja taustiņu nospiedīsiet, kad iekārta darbojas trešajā ātrumā, uz desmit minūtēm ieslēgsies intensīvais darbības režīms, bet pēc tam iekārta turpinās darboties ar sākotnējo ātrumu. Intensīvas darbības laikā displejs mirgos.

**Taustiņš E** = taimeris ļauj iestatīt funkcijas darbības laiku uz 15

minutēm (pēc tam attiecīgā funkcija tiek izslēgta). Lai taimeris izslēgtu, jānospiež taustiņš **E**. Kad taimeris ir aktivizēts, displejā jāmirgo punkta simbolam. Ja ir aktivizēts intensīvās darbības režīms, taimera funkcija ir atspējota.

Ja, ierīcei esot izslēgta, nospiediet taustiņu **E** uz divām sekundēm, ieslēgsies **"svaiga gaisa"** funkcija. Iekārta ik stundu uz desmit minūtēm ieslēgsies pirmajā ātrumā. Kad funkcija ir aktivizēta, displeja gaismas diodēm jārada apļveida kustības efekts. Pēc desmit minūtēm iekārta izslēgsies un displejā parādīsies **"C"** simbols (tas displejā būs redzams 50 minūtes līdz nākamajai iekārta ieslēgšanās reizei). Lai iekārta ieslēgtu normālās darbības režīmā, nospiediet jebkuru taustiņu, izņemot apgaismojuma taustiņus. Lai funkciju izslēgtu, nospiediet taustiņu **E**.

#### • Prettauku/Aktīvās ogles filtru piesātināšanās:

-Kad displejs **C** mirgo, mainot darbības ātrumu ar burtu **F** (piemēram **1 un F**) – prettauku filtriem ir jābūt tīrtiem.

-Kad displejs **C** mirgo, mainot darbības ātrumu ar burtu **A** (piemēram **1 un A**) – aktīvās ogles filtriem ir jābūt nomainītiem vai mazgātiem, atkarībā no filtra veida.

Kad tīrais filtrs ir novietots atpakaļ, ir nepieciešams iestatīt uz nulli elektronisko atmiņu, piespiežot taustu **A** aptuveni **5 sek.** līdz ko beidz mirgoļot displeja **C** paziņojums **F** vai **A**.

#### • Mehāniskās komandas (Att.13) : tālāk ir uzrādīti simboli:

**A**= tausts GAISMA / ON-OFF

**B**= tausts OFF / PIRMAIS ĀTRUMS

**C**= tausts OTRAIS ĀTRUMS

**D**= tausts TREŠAIS ĀTRUMS.

Ja gaisa nosūcējs tiek izslēgts pirmajā, otrajā vai trešajā ātrumā, brīdī, kad tas tiek atkārtoti ieslēgts, tas uzsāk darbību tajā pašā ātrumā, kurš bija uzstādīts izslēgšanas brīdī.

### RAŽOTĀJS NEUŅEMAS NEKĀDU ATBILDĪBU PAR ZAUDĒJUMIEM, KAS RADUŠIES ŠINĪ INSTRUKCIJĀ SNIEGTO BRĪDINĀJUMU NEIEVĒROŠANAS REZULTĀTĀ.

# LIETUVIŲK

LT

## BENDRI BRUOŽAI

Ļdēmai perskaitykite šios instrukcijų knygelės turinį, nes joje yra pateikti svarbūs saugaus montavimo, naudojimo ir priežiūros nurodymai. Saugokite knygelę tolesnėms konsultacijoms. Įtaisas gali būti naudojamas kaip ištraukimo (oro išmetimas į išorę - 1B pav.) ir filtravimo įrenginys (oro recirkuliacija viduje - 1A pav.) arba įrenginys su išoriniu varikliu (1C pav.).

## SAUGOS ATSARGUMO PRIEMONĖS

1. Būkite atsargūs, kai dūmtraukis veikia kartu su atvira ugniaviete ar degikliu, kuris priklauso nuo aplinkos oro ir kuris maitinamas ne elektros energija, nes dūmtraukis iš aplinkos pašalina orą, kuris reikalingas degikliui ar ugniavietei oksidavimuisi. Neigiamas slėgis aplinkoje neturi viršyti 4 Pa (4x10<sup>-5</sup> barų). Saugiam dūmtraukio naudojimui suteikite atitinkamą aplinkos ventiliaciją. Vadovaukitės vietiniais įstatymais išoriniam oro išsiurbimui.

### Prieš prijungiant prietaisą prie elektros maitinimo tinklo:

- Duomenų plokštelėje (pritrivintoje prietaiso viduje) patikrinkite, ar įtampa ir galia atitinka tinklo parametrus ir ar tinka

lizdas. Jei dvejojate, paklauskite kvalifikuoto elektriko.

- Jei maitinimo kabelis sugadintas, jį reikia pakeisti kitu kabeliu ar specialiu agregatu, kurį galima įsigyti tiesiai iš gamintojo arba iš techninės pagalbos centro.

- Prijunkite prietaisą prie maitinimo šaltinio naudodami kištuką su 3 amperų saugikliu arba 2 dviejų fazių laidus, apsaugotus 3 amperų saugikliais.

## 2. Dėmesio!

**Esant tam tikroms sąlygoms elektros prietaisai gali kelti pavojų.**

**A) Kol dūmtraukis veikia, netikrinkite filtrų būsenos.**

**B) Naudojant apšvietimo įrenginius ar iš karto po ilgo jų naudojimo nelieskite elektros lempučių ar gretimų sričių.**

**C) Po dūmtraukiu draudžiama gaminti patiekalus apipilant spiritu ir uždegant.**

**D) Venkite atviros liepsnos, nes ji gali sugadinti filtrus ir sukelti gaisrą.**

**E) Nuolat tikrinkite gaminamą maistą, kad perkaitęs aliejus nesukeltų gaisro.**

**F) Prieš bet kokį techninį aptarnavimą atjunkite elektros kištuką.**

**G) Šis prietaisas neskirtas naudoti mažiems vaikams ar nepatyrusiems darbuotojams be priežiūros.**

**H) Mažus vaikus būtina prižiūrėti, kad nežaistų su prietaisu.**

**I) Kambarys turi būti atitinkamai vėdinamas, kai dūmtraukis naudojamas tuo pačiu metu kaip ir prietaisai, deginantys dujas ar kitokį kurą.**

**L) Valant ne pagal instrukcijas gali kilti gaisras.**

Prietaisas atitinka Europos direktyvą EC/2002/96 dėl elektrinės ir elektroninės įrangos atliekų (EE[A]). Užtikrindamas tinkamą prietaiso išmetimą vartotojas padeda išvengti galimos žalos aplinkai ar žmonių sveikatai.



Simbolis ant produkto arba ant su juo pateikiamo dokumento rodo, kad įrenginys nėra buitinės atliekos, todėl jį reikia pristatyti į atitinkamą elektros ir elektroninių prietaisų perdirbimo surinkimo punktą. Išmesdami atliekas vadovaukitės vietiniais nurodymais. Išsamesnės informacijos apie šio produkto naudojimą, pakartotinį naudojimą ir perdirbimą kreipkitės į vietinę administraciją, buitinių atliekų surinkimo tarnybą arba į parduotuvę, kurioje prietaisą įsigijote.

## INSTALIAVIMO INSTRUKCIJOS

• **Montuoti ir prijungti prie elektros tinklo gali tik kvalifikuotas personalas.**

• **Prieš pradėdami montavimo darbus, užsimaukite apsaugines pirštines.**

### • Elektros prijungimas:

Prietaisas pagamintas kaip II klasės, todėl įžeminimo kabelis nereikalingas.

Sumontavus kištukas turi būti lengvai pasiekiamas.

Jei prietaisas turi maitinimo laidą be kištuko, tarp elektros šaltinio ir prietaiso (atsižvelgiant į apkrovos ir srovės reikalavimus) turi būti montuojamas tinkamo dydžio vienpolis jungiklis su mažiausiai 3 mm anga tarp kontaktų.

Prie maitinimo tinklo jis prijungiamas taip:

RUDA = **L** linija (fazė)

MĖLYNA = **N** neutrali.

• Minimalus atstumas tarp virimo puodų palaikymo paviršių ant viryklės viršaus ir apatinės dūmtraukio dalies turi būti bent



**65 cm.** Jei naudojamas iš dviejų dalių sudarytas prijungimo vamzdis, viršutinę dalį reikia patalpinti už apatinės dalies. Dūmtraukio išmetimo vamzdžio nenjunkite prie to paties konduktoriaus, naudojamo karštam orui cirkuliuoti arba dūmams išsiurbti iš kitų prietaisų, generuojamų kitais, ne elektros, šaltiniais. Prieš tęsdami montavimą nuimkite filtrą (-us) nuo riebalų (5 pav.), kad prietaisą būtų lengviau tvarkyti.

- Prietaisą montuojant su įsiurbimo versija, paruoškite angą oro išsiurbimui.

• Rekomenduojama naudoti oro išmetimo vamzdį, kurio skersmuo būtų lygus oro išsiurbimo angos skersmeniui. Mažesnio skersmens vamzdžio naudojimas gali neigiamai įtakoti įrenginio efektyvumą ir padidinti triukšmingumo lygį.

#### • Tvirtinimas prie sienos

išgręžkite angas **A** pagal nurodytus atstumus (2 pav.). Prietaisą pritaisykite prie sienos ir sulygiuokite jį horizontaliai prie sieninių sekcijų. Prietaisą sureguliuavę, dūmtraukį tvirtai pritvirtinkite, naudodami **A** varžtus (4 pav.). Įvairiam montavimui naudokite varžtus ir varžtų inkarus, tinkamus sienos tipui (pvz., gelžbetoniui, tinko plokštei ir t.t.). Jei varžtai ir varžtų inkarai pateikiami su produktu, patikrinkite, ar jie tinka sienos, ant kurios bus tašomas dūmtraukis, tipui.

#### • Dekoratyvinio teleskopinio dūmtakio pritvirtinimas

Elektros maitinimo tinklą montuokite pagal dekoratyvinio dūmtakio matmenis. Jei prietaisą reikia montuoti su vamzdžiu arba išoriniu varikliu, paruoškite oro išmetimo angą. Sureguliuokite viršutinio dūmtakio laikytuvo plotą (3 pav.). Tada jį varžtais **A** (3 pav.) pritvirtinkite prie lubų taip, kad jis būtų vienodame lygmenyje su dūmtraukiu ir atitinkamu atstumu nuo lubų, kaip parodyta 2 pav. **C** flanšą pritvirtinkite prie oro išleidimo angos naudodami sujungimo vamzdį (4 pav.). Viršutinį dūmtakį įstatykite į apatinį. Pritvirtinkite apatinį dūmtakį prie garų surinkėjo, naudodami pateiktus varžtus **B** (4 pav.), ištraukite viršutinį dūmtakį iki laikytuvo ir pritvirtinkite varžtais **B** (3 pav.). Jei norite dūmtraukį iš vamzdinio transformuoti į filtruojantį, agento paprašykite anglies filtrų ir vadovaukitės montavimo instrukcijomis.

#### • Filtravimo versija

Dūmtraukį ir du dūmtakius sumontuokite kaip aprašyta paragrafe apie vamzdinio dūmtraukio montavimą. Norėdami surinkti filtravimo dūmtakį, žr. rinkinyje pateikiamas instrukcijas. Jei rinkinys nepateikiamas, užsisakykite jį iš tiekėjo kaip priedą. Filtrai turi būti naudojami dūmtraukio įsiurbimo įrenginyje. Jie turi būti centruojami pasukant 90 laipsnių kampą, kol sustabdymo griebtuvus užsikabins (6 pav.).

### NAUDOJIMASIS IR TECHNINĖ PRIEŽIŪRA

• Rekomenduojamą prietaisą įjungti prieš gaminant maistą. Rekomenduojama prietaisą palikti veikiantį 15 minučių po valgio gaminimo, kad virimo garai ir kvapai būtų visiškai pašalinti. Tinkamą dūmtraukio veikimą sąlygoja techninės priežiūros operacijų, ypač aktyvuotos anglies filtro, kontrolė.

• Filtrai nuo riebalų pagauna ore pakibusias riebalų daleles ir todėl gali užsikimšti, priklausomai nuo prietaiso naudojimo dažnumo.

- Siekiant išvengti gaisro, būtina valyti riebalų filtrus vieną kartą per 2 mėnesius; riebalų filtrai valomi rankiniu būdu naudojant neutralias neabrazyvines nuskystas valymo priemones arba indų plovimo mašinoje, nustačius trumpą plovimo ciklą ir žemą vandens temperatūrą.

- Dėl pasikartojančio valymo gali keistis filtrų spalva. Tai nesuteikia teisės reikalauti pakeisti filtrus naujais.

• **Aktyviosios anglies filtrai** išvalo į aplinką išmetamą orą ir sugeria nemalonius kvapus, atsirandančius gaminant maistą.

- Neregeneruojamus aktyviosios anglies filtrus reikia keisti mažiausiai kartą per 4 mėnesius. Anglies prisisotinimas priklauso nuo įrenginio naudojimo dažnumo, maisto gaminimo būdo ir riebalų filtro valymo reguliarumo.

- Regeneruojamus aktyviosios anglies filtrai valomi rankiniu būdu naudojant neutralias neabrazyvines valymo priemones arba indų plovimo mašinoje, nustačius ne aukštesnę nei 65°C temperatūrą (filtrų plovimo metu mašinoje neturi būti indų). Pašalinkite vandens perteklių, atsargiai, nepažeisdami filtro, nuimkite plastines dalis ir išdžiovinkite kilimėlį orkaitėje apie 15 minučių, nustažę ne aukštesnę nei 100°C temperatūrą. Siekiami užtikrinti tinkamą regeneruojamo anglies filtro veikimą, kartokite šią operaciją kas 2 mėnesius. Šie filtrai keičiami mažiausiai kartą per 3 metus arba kilimėlyje atsiradus pažeidimams.

• **Prieš įstatydami riebalų ir regeneruojamus aktyviosios anglies filtrus į savo vietą, įsitikinkite, kad jie būtų tinkamai išdžiovinti.**

• **Reguliariai valykite ventiliatorių ir kitus dūmtraukio paviršius, naudodami skudurėlį, sudrėkintą denaturuotu alkoholiu arba neabrazyviniu skystu detergentu.**

• Apšvietimo instaliacija sukurta naudoti valgio gaminimo metu, bet ne ilgam bendram aplinkos apšvietimui. Ilgas apšvietimo instaliacijos naudojimas žymiai sumažina apšvietimo lempučių naudojimo trukmę.

• Jeigu įrenginyje įmontuotas **aplinkos apšvietimas**, jis gali būti naudojamas ilgam bendram aplinkos apšvietimui.

• **Dėmesio:** dūmtraukio valymo bei filtrų keitimo ir valymo nurodymų nesilaikymas gali sukelti gaisrą. Todėl rekomenduojama laikytis pateiktų instrukcijų.

#### • LED lempučių keitimas (7 pav.):

Jeigu Jūsų įrenginyje yra įmontuotos **LED** lempučių, dėl jų keitimo kreipkitės į kvalifikuotą techniką.

#### • Halogeninių lempučių keitimas (8 pav.):

Norėdami pakeisti halogenines lemputes **B**, nuimkite stiklinį gaubtą **C**, naudodami svertą ties atitinkamais plyšiais.

Pakeiskite lemputes tokio pat tipo naujomis lempučių.

**Dėmesio:** nelieskite lempučių plikomis rankomis.

#### • Kaitrinių/halogeninių lempučių keitimas (9 pav.):

Naudokite tik lemputes, kurių rūšis ir galia atitinka įrenginyje įmontuotų lempučių rūšį ir galią.

• **Komandos (10 pav.) mechaninis** mygtukų simboliai aprašyti toliau:

**A** = APŠVIETIMAS

**B** = IŠJUNGIMAS

**C** = I GREITIS

**D** = II GREITIS

**E** = III GREITIS.

• **Komandos (11 pav.) šviečiančių** mygtukų simboliai aprašyti toliau.

**A** = APŠVIETIMAS

**B** = IŠJUNGIMAS

**C** = I GREITIS

**D** = II GREITIS

**E** = III GREITIS

**F** = AUTOMATINIS IŠJUNGIMO LAIKMĖTIS - 15 minučių (\*).

Jeigu Jūsų įrenginyje yra numatyta **INTENSYVAUS** greičio funkcija, ir Jūs norite ją įjungti, spustelėkite ir laikykite nuspaužę **E** mygtuką apie 2 sekundes. Įrenginys įjungia šią

funkcijā 10 minučių ir grįžta į pradinį nustatytą greitį, praėjus nurodytam laikui. Šią funkciją galima įjungti, kai įrenginys veikia TREČIUOJU greičiu. Esant įjungtai intensyvaus greičio funkcijai, mirksi LED lempute.

Norėdami išjungti šią funkciją prieš pasibaigiant 10 minučių, dar kartą paspauskite **E** mygtuką.

Kai kuriuose modeliuose galima įjungti intensyvaus greičio funkciją ir tuomet, kai įrenginys veikia pirmuoju ar antruoju greičiu.

Dvi sekundes laikydami nuspaudę mygtuką **F** (kai surinktuvas išjungtas), aktyvuosite "**švaraus oro**" funkciją. Ši funkcija kas valandą pirmuoju greičiu įjungia prietaisą dešimčiai minučių. Kai tik ši funkcija aktyvuojama, dešimčiai minučių įsijungia variklis (pirmuoju greičiu), tuo metu mirksi **F** ir **C** mygtukai. Po dešimties minučių variklis išsijungia, **F** mygtuko šviesos diodas šviečia ir toliau, kol variklis po penkiasdešimties minučių vėl įsijungia, tuomet dešimt minučių mirksi **F** ir **C** ir t.t. Paspaudus bet kurį mygtuką (išskyrus apšvietimo), surinktuvas vėl pradės veikti normaliai (pvz., paspaudus mygtuką **D**, išjungiamą "**švaraus oro**" funkcija ir variklis iškart pradeda veikti antruoju greičiu. Nuspaudus mygtuką **B**, funkcija išsijungia).

(\*) "**AUTOMATINIS IŠJUNGIMO LAIKMATIS**" atideda surinktuvo išjungimą, todėl jis dar 15 minučių veiks greičiu, kuris buvo nustatytas aktyvuojant šią funkciją.

#### • Riebalų/aktyviosios anglies filtrų prisisotinimas:

-Jeigu **A** mygtukas mirksi kas **2 sek.**, tai reiškia, kad riebalų filtrus reikia išplauti.

-Jeigu **A** mygtukas mirksi kas **0,5 sek.**, tai reiškia, kad aktyviosios anglies filtrus reikia pakeisti arba išplauti, priklausomai nuo filtro rūšies.

Įdėjus į vietą išvalytą filtrą, reikia grąžinti elektroninės atminties gamyklinius nustatymus, paspaudžiant **A** mygtuką ir laikant jį nuspaudus apie **5 sek.**, kol nustos mirksėti.

#### • Komandos (12 pav.):

**Mygtukas A** = šviesos įjungimo/išjungimo jungiklis.

**Mygtukas B** = šviesos įjungimo/išjungimo jungiklis. Gartraukis įsijungia 1 greičio režimu. Jei gartraukis įjungtas, bet norite jį išjungti, palaikykite nuspaudę mygtuką 2 sekundes. Jei gartraukis nustatytas į 1 greitį, nebūtina nuspausti mygtuko norint išjungti gartraukį. Sumažėja variklio sukimosi greitis.

**Ekranas C** = rodo pasirinktą variklio sukimosi greitį ir įjungia laikrodį.

**Mygtukas D** = įjungia voryklę. Padidėja variklio sukimosi greitis. Nustačius mygtuką į trečią greitį, intensyvumo funkcija tampa 10', tuomet gartraukis vėl dirba pirminiu greičiu. Kai įjungta ši funkcija, ekranas mirksi.

**Mygtukas E** = Laikrodis įjungia funkcijas 15-ai minučių, o po to jas išjungia. Laikrodis išsijungiamas vėl paspaudus mygtuką **E**. Kai laikrodis yra įjungtas, ekrane turi mirksėti dešimtainis skaičius. Laikrodis neįsijungia, kai nustatytas didesnis greitis.

"**Gaivaus oro**" funkcija įjungiamą laikant nuspaudus mygtuką **E** 2 sekundes, kai gartraukis yra išjungtas. Taip variklis veikia 10 minučių per valandą pirmu greičiu. Kai variklis įjungtas, ekrane turi būti rodomos papildomų sektorių apšukos. Praėjus šiam laikui tarpui, variklis išsijungia, tačiau ekrane turi nuolatos šviesti "**C**" raidė, o po 50 minučių variklis vėl įsijungs ir veiks kitas 10 minučių ir t.t. Norėdami sugrįžti į įprastą režimą, paspauskite bet kurį mygtuką, išskyrus apšvietimo mygtuką. Norėdami išjungti funkciją, paspauskite mygtuką **E**.

#### • Riebalų/aktyviosios anglies filtrų prisisotinimas:

-Jeigu **C** displejuje pakaitomis mirksi nustatytas greitis ir **F**

raidė (**1** ir **F** pav.), tai reiškia, kad riebalų filtrus reikia išplauti.

-Jeigu **C** displejuje pakaitomis mirksi nustatytas greitis ir **A** raidė (**1** ir **A** pav.), tai reiškia, kad aktyviosios anglies filtrus reikia pakeisti arba išplauti, priklausomai nuo filtro rūšies.

Įdėjus į vietą išvalytą filtrą, reikia grąžinti elektroninės atminties gamyklinius nustatymus, paspaudžiant **A** mygtuką ir laikant jį nuspaudus apie **5 sek.**, kol **F** arba **A** raidė **C** displejuje nustos mirksėti.

• **Mechaninis įjungimas/išjungimas (13 pav.)** : simbolių reikšmės yra pateiktos žemiau:

**A**= APŠVIETIMO mygtukas / ĮJUNGIMAS-IŠJUNGIMAS

**B**= IŠJUNGIMO / PIRMOJO GREIČIO mygtukas

**C**= ANTROJO GREIČIO mygtukas

**D**= TREČIOJO GREIČIO mygtukas.

Išjungus pirmuoju, antruoju arba trečiuoju greičiu veikiantį gaubtą ir vėl jį įjungus, gaubtas pradeda veikti tuo greičiu, kuriuo veikė prieš išjungimą.

**GAMINTOJAS ATSIROBOJA NUO BET KOKIOS ATSAKOMYBĖS, SUSIJUSIOS SU ŽALA RANGAI, KURI BUVO PADARYTA NESILAIKANT INSTRUKCIJOJE PATEIKTŲ NURODYMŲ IR ĮSPĖJIMŲ.**

EESTI

EST

#### ÜLDIST

Lugege hoolikalt käesolevat kasutusjuhendit ning tutvuge paigaldus-, kasutus- ja hooldustingimustega. Hoidke kasutusjuhend alles, et hiljem saaks vajadusel lugeda. Seadet kasutatakse õhu väljatõmbamiseks (õhu liikumine välja - Joonis 1B), õhufiltrina (õhu siseringlus - Joonis 1A) või eraldi paikneva mootori abil (Joonis 1C).

#### OHUTUSNORMID

1. Olge ettevaatlik, kui samal ajal on töös nii tõmbekapp kui põleti või kolle, mis on sõltuvad ümbristevast õhust ja mille toide on muu, kui elektritoide, kuna tõmbekapp tõmbab töö käigus ümbrusest sisse õhku, mida vajavad põletamiseks põleti või kolle. Negatiivne rõhk ruumis ei tohi ületada 4 Pa (4 x 10<sup>-5</sup> baari). Ohutu töö tagamiseks hoolitsege selle eest, et ruum on piisavalt õhutatud. Järgige õhu väljalaskmisel kohtriigis kehtivaid määrusi.

#### Enne seadme elektrivõrku ühendamist:

-Kontrollige infoetiketit (seadme sees), kas pinge ja võimsus vastavad võrgule ning kas stepsel on sobiv. Kahtluse korral pöörduge professionaalse elektriku poole.

-Kui toitejuhe on kahjustatud, tuleb see välja vahetada uue juhtme või saadavaloleva spetsiaalse agregaadiga valmistaja või valmistaja tehnoloogi juuresolekul.

-Ühendage seade 3 A kaitsmega pistiku või 2 kahefaasilise ja 3 A kaitsmega juhtme abil toitevõrku.

#### 2. Tähelepanu!

elektriseadme võivad olla teatud tingimustes ohtlikud;

**A) Ärge proovige kontrollida filtreid, kui tõmbekapp on töös;**

**B) Ärge puudutage lampe ega nende ümbrust kohe pärast pikemaegset valgustussüsteemi kasutamist ega selle ajal;**

**C) Tõmbekapi all on keelatud küpsetada leegiga;**

**D) Hoiduge lahtise tule eest, kuna see kahjustab filtreid ja on tuleohtlik;**

**E) Jälgige praetavat toitu pidevalt, et vältida ülekuumenenud õli süttimist;**

**F) Enne igasuguse hoolduse sooritamist lülitage tõmbekapp elektrivõrgust välja.**

**G) Väikesed lapsed ja nõrga tervisega inimesed ei tohiks kasutada seadet ilma järelevalveta.**

**H) Väikeste laste puhul tuleb jälgida, et nad seadmega ei mängiks.**

**I) Kui õhupuhasit kasutatakse üheaegselt seadmetega, mis töötavad gaasi või muu kütteenaine abil, peab ruum olema piisavalt ventileeritud.**

**L) Kui seadet ei puhastata vastavalt juhistele, võib tekkida süttimisohu.**

Seade kannab Euroopa Direktiivile 2002/96/EÜ vastavat märki, Waste Electrical And Electronic Equipment (WEEE). Olles teinud kindlaks, et seadet käideldakse korrektsel viisil, aitab seadme kasutaja kaasa keskkonnale ja tervisele kahjulike tagajärgede vältimisele.



Sümbol tootel või seda saatvatel dokumentidel näitab, et seda toodet ei tohi lugeda olmejäätmete hulka, vaid see tuleb viia vastavatesse elektriliste ja elektrooniliste seadmete töötluspunktidesse. Sellest tuleb lahti saada, järgides jäätmete ladustamise kohalikke normatiive. Lisainformatsiooni saamiseks seadme käsitamise, taastamise ja taaskasutamise kohta võtke ühendust kohaliku vastava asutusega, olmejäätmete kogumise punktiga või kauplusega, kust toode osteti.

## AIGALDAMISJUHEND

• Paigaldustöid ja elektriihendusi võib sooritada vaid spetsialist.

• Seadme paigaldamisel kandke kaitsekindaid.

### • Elektrivõrku ühendamine:

-Aparaat on valmistatud II klassi aparaadina, seega ei tohi maandusega ühendada ühtegi kaablit.

Pistik peab olema pärast aparaadi ülesseadmist hõlpsasti ligipääsetav. Kui aparaadil on pistikuta kaabel, siis tuleb selle elektrivõrku ühendamiseks panna aparaadi ja võrgu vahele omnipolaarne lüliti, mille kontaktivahe on vähemalt 3 mm ning mis on koormusega proportsionaalne ja vastab kehtivatele standarditele.

-Aparaat tuleb elektrivõrku ühendada järgmiselt:

**PRUUN = L** faas

**SININE = N** neutraalne.

• Miinimumkaugus toiduvalmistamispinna ja köögi tõmbekapi kõige madalama osa vahel peab olema vähemalt **65 cm**. Kui kasutatakse ühendustoru, mis koosneb kahest või enamast osast, peab madalam osa minema ülemise sisse. Ärge ühendage tõmbekapi väljalaskeava kanaliga, kus ringleb kuum õhk või mida kasutatakse suitsu eemaldamiseks, mida tekitavad seadmed, mis ei tööta elektritoetega.

Enne paigalduse alustamist, ühendage lahti rasvafilter (filtrid), et seadet oleks kergem käsitleda (Joonis 5).

-Juhul kui seade paigaldatakse imiventilaatorina tehke enne valmis avaus õhu eemaldamiseks.

• Soovitav on kasutada väljetõmbetoru, millel on väljalaskeäärrikuga võrdne läbimõõt. Väiksema läbimõõdu korral võib väheneda toote jõudlus ja valjeneda müra.

### • Seina külge kinnitamine

Puurige augud **A** vastavalt ettenähtud vahemaadele (Joon.2). Kinnitage seade seinale ja sättige seinamoodulite suhtes horisontaalselt. Kui seade on kohandatud, kinnitage kindlasti kaas kruvide **A** abil (Joon.4). Kasutage erinevate paigalduste puhul kruve ja tüüblid, mis sobivad vastava seinatüübiga (näiteks raudbetoon, kipsplaat jne). Kui kruvid ja tüüblid tulid tootega kaasa, siis jälgige, et nad sobiksid seinaga, kuhu katet kinnitama hakkate.

### • Dekoratiivse teleskoopilise lõõri kinnitamine

Paiguta elektritoide dekoratiivse lõõri ulatusse. Kui paigaldade seadme õhutoru või välhese mootoriga versiooni, siis valmistage ette väljalaskeava. Reguleerige ülalõõri (Joon.3) toe laius. Siis kinnitage kruvide **A** abil lakke (Joon.3) nii, et see oleks ühes joones kattega ja Joon.2-I näidatud kaugusel laest. Ühendage toruäärrik **C** õhu väljalaskeavas ühendustoru abil (Joon.4). Sisestage ülalõõr alalõõri. Kinnitage alalõõr katte külge kasutades kruvisid **B** (Joon.4), tirige ülalõõr toeni ja kinnitage kruvidega **B** (Joon.3). Et muuta kate õhutoruga versioonist filtriga versiooniks, küsige agendilt aktiivsõefiltreid ja järgige paigaldusjuhiseid.

### • Filtreeriv versioon

Paigaldage tõmbekapp ja kaks ühendust nii, nagu on näidatud peatükis imiventilaatori funktsiooniga kapi paigaldamise kohta. Filtreeriva õhu lüliti paigaldamise kohta vaadake komplektis olevaid juhendeid. Kui komplekti kaasas ei ole, tellige see edasimüüjalt lisavarustusena. Filtrid tuleb paigaldada kapi sees oleva imiventilaatoriseadme sisse keskele ja keerata neid 90 kraadi st. lõpuni kuni kuulete naksatust (Joonis 6).

## KASUTUS JA HOOLDUS

• Soovitame seade sisse lülitada enne igasuguse sooja toidu küpsetamist. Soovitame lasta seadmel töötada 15 minutit ka pärast toiduvalmistamise lõpetamist, et õhk täielikult puhastuks. Tõmbekapp töötab korralikult, kui seda õieti ja regulaarselt hooldada – pöörake erilist tähelepanu rasvafiltrile ja aktiivsüsinikuga filtrile.

• **Rasvafiltri** ülesanne on püüda kinni õhus lendlevad rasvaosakesed, seega rasvade ladestumine sõltub õhupuhasit kasutusagedusest.

- Selleks et vältida süttimisohu, peske rasvafiltrit vähemalt iga kahe kuu järel käsitsi vedela neutraalse pesuvahendiga või nõudepesumasinas madalal temperatuuril lühipesul. Ärge kasutage abrasiivseid pesuvahendeid.

- Pärast mõnekordset pesu võib filtrit värv muutuda. Vaatamata sellele ei ole vaja filtrit vahetada.

• **Aktiivsõefiltri** ülesandeks on puhastada õhk ja eemaldada toiduvalmistamisel tekkinud ebeameldivad lõhnad.

- Korduvkasutusega aktiivsõefiltreid tuleb vahetada vähemalt iga nelja kuu järel. Aktiivsõefiltri küllastumine sõltub seadme kasutusagedusest, köögi tüübist ja rasvafiltri puhastussagedusest.

- Korduvkasutusega aktiivsõefiltreid tuleb pesta neutraalse pesuvahendiga käsitsi või pesumasinas temperatuuril kuni 65°C (nõudeta pesu). Ärge kasutage abrasiivseid pesuvahendeid. Eemaldage liigne vesi filtrit kahjustamata, võtke ära plastosas ja laske südamikul ahjus kuivada vähemalt 15 minutit temperatuuril kuni 100°C. Selleks et aktiivsõefilter toimiks tõhusalt, tuleb kirjeldatud toimingut korrata iga kahe kuu tagant. Vahetage filtreid vähemalt kolme aasta järel või kui südamik on kahjustunud.

• **Selleks et rasvafiltrit ja aktiivsõefiltrit uuesti monteerida, peavad need olema täiesti kuivad.**

• **Aktiivsüsinikuga filtrid on mõeldud tagasi ruumi lastava õhu puhastamiseks. Filtrid ei ole pestavad ega uuendatavad ja nad tuleb välja vahetada maksimum iga nelja kuu tagant. Aktiivsüsiniku küllastus sõltub seadme kasutus-tihedusest, kõõgi tüübist ning rasvafiltri puhastamise regulaarsusest.**

• Puhastage korrapäraselt kõik ventilaatorile ja teistele pindadele kogunenud sadestised, kasutades selleks denatureeritud piirituse või vedela neutraalse mitteabrasivse puhastusvahendiga niisutatud lappi.

• Kui seadmel on **kohtvalgusti**, võib seda kasutada ka ruumi valgustina.

• **NB!** Õhupuhaсти puhastusnõuete ning filtrite vahetamis- ja puhastusnõuete eiramine toob kaasa süttimisohu. Seega on soovitatav järgida kasutusjuhendit.

#### • **LED-lampide vahetamine (Joon. 7):**

Kui teil on aparaadi **LED**-lampidega versioon, tuleb nende vahetamiseks kutsuda erialatehnik.

#### • **Halogeenpirnide (Joon. 8) väljavahetamine:**

Halogeenpirni **B** väljavahetamiseks eemaldage kangi abi kasutades klaas **C**. Asendage pirnid uute, sama tüüpi pirnidega. **Ettevaatust:** Ärge katsuge elektripirni paljaste kätega.

#### • **Hõõg-/halogeenlambi vahetamine (Joon. 9):**

Kasutage üksnes sama tüüpi ja võimsusega lampi, nagu on seadmele paigaldatud.

• **Nupud (Joon. 10) mehhaanilised** kasutatud sümbolid on järgnevad:

**A** = nupp VALGUSTUS

**B** = nupp OFF (väljas)

**C** = nupp ESIMESE KIIRUS

**D** = nupp TEINE KIIRUS

**E** = nupp KOLMAS KIIRUS.

• **Helendavate nuppudega juhtpaneel (Joon. 11)** märkide seletused on esitatud allpool:

**A** = VALGUSE lüliti

**B** = OFF-lüliti

**C** = ESIMESE KIIRUSE lüliti

**D** = TEISE KIIRUSE lüliti

**E** = KOLMANDA KIIRUSE lüliti

**F** = nupp AUTOMAATSEISKUMISE TAIMER, 15 minutit (\*)

Kui teie aparaadil on **INTENSIIVSE** kiiruse funktsioon, mis läheb tööle KOLMANDAL kiirusel, siis juhul kui hoida nuppu **E** umbes 2 sekundit all, käivitub see funktsioon 10 minutiks, mille möödudes õhupuhaсти jätkab tööd varem seatud kiirusel. Kui see funktsioon on aktiivne, vilgub kuvaril LED-lamp.

Selle katkestamiseks enne 10 minuti möödumist vajutage uuesti nupule **E**.

Mõnel mudelil saab seda funktsiooni tööle panna ka esimesel ja teisel kiirusel.

Kui hoida nuppu **F** 2 sekundit all (aparaat on välja lülitatud), siis käivitub funktsioon "**clean air**". See funktsioon lülitab mootori iga tunni aja tagant 10 minutiks esimesel kiirusel sisse. Niipea kui see funktsioon on käivitatud, läheb mootor 10 minutiks 1. kiirusel tööle; sel ajal peavad korraga vilkuma nupp **F** ja nupp **C**. Kui see aeg on möödunud, lülitub mootor välja ja nupu **F** märgulamp peab jääma põlema, kuni mootor hakkab 50 minuti pärast uuesti esimesel kiirusel tööle, märgulambid **F** ja **C** vilguvad uuesti 10 minutit jne. Kui vajutada suvalisele nupule, välja arvatud valguse nupule, hakkab õhupuhaсти kohe normaalselt tööle (nt kui vajutada nupule **D**, siis lülitub

funktsioon "**clean air**" välja ja mootor läheb kohe 2. kiirusele; kui vajutada nupule **B**, siis see funktsioon lülitub välja).

(\*) Funktsioon "**AUTOMAATSEISKUMISE TAIMER**" viivitab õhupuhaсти väljalülitumist, nii et see jätkab 15 minuti jooksul tööd taimeri funktsiooni sisselülitamise hetkel kehtinud töökiirusega.

#### • **Rasvafiltri/aktiivsefiltril küllastumine:**

-Kui nupp **A** vilgub iga **2 sekundi** tagant, siis tuleb rasvafiltri pesta.

-Kui nupp **A** vilgub iga **0,5 sekundi** tagant, siis tuleb aktiivsefiltrid vahetada või neid pesta, olenevalt filtri tüübist.

Kui puhas filter on tagasi pandud, siis tuleb elektrooniline mälu lähtestada, hoides nuppu **A** umbes **5 sekundit** all, kuni see lakkab vilkumast.

#### • **Juhtseadmed (Joon. 12):**

**Nupp A** = lülitab valguse sisse/välja.

**Nupp B** = lülitab õhupuhaсти sisse/välja. Aparaat hakkab 1. kiirusel tööle. Kui õhupuhaсти on sisse lülitatud, tuleb välja-lülitamiseks seda nuppu 2 sekundit all hoida. Kui õhupuhaсти töötab 1. kiirusel, ei pea nuppu väljalülitamiseks all hoidma. Vähendab mootori kiirust.

**Kuvar C** = näitab seda, milline mootori kiirus on valitud ja kas taimer on aktiveeritud.

**Nupp D** = lülitab õhupuhaсти sisse. Suurendab mootori kiirust. Kui õhupuhaсти on 3. kiirusel ja te vajutate sellele nupule, hakkab 10 sekundiks tööle intensiivne funktsioon, seejärel jätkab aparaat tööd samal kiirusel, mis oli käivitamise hetkel. Selle funktsiooni töötamise ajal kuvar vilgub.

**Nupp E** = taimer määrab funktsioonide töötamisajaks 15 minutit alates taimeri käivitamise hetkest; selle möödumisel lülituvad need välja. Taimer saab välja lülitada, vajutades uuesti nupule **E**. Kui taimerifunktsioon on sisse lülitatud, siis peab kuvaril vilkuma kümnendkoha punkt. Kui õhupuhaсти töötab parajasti intensiivsel kiirusel, siis ei saa taimerit käivitada.

Kui aparaat on välja lülitatud ja vajutada 2 sekundit nuppu **E**, käivitub funktsioon "**clean air**".

See lülitab mootori iga tunni aja tagant 10 minutiks esimesel kiirusel sisse.

Töötamise ajal peab kuvaril paistma äärmiste segmentide ringliikumine. Kui 10 minutit on möödunud, lülitub mootor välja ja kuvarile peab ilmuma täht "**C**", mis püsib seal, kuni mootor hakkab 50 minuti pärast uuesti 10 minutiks tööle jne. Normaalse funktsioneerimise taastamiseks vajutage suvalist nuppu, välja arvatud valguse nuppu. Selle funktsiooni väljalülitamiseks vajutage nuppu **E**.

#### • **Rasvafiltri/aktiivsefiltril küllastumine:**

-Kui kuvar **C** vilgub ja näitab vaheldumisi töökiirust ja **F-tähte** (nt **1** ja **F**), siis tuleb rasvafiltri pesta.

-Kui kuvar **C** vilgub ja näitab vaheldumisi töökiirust ja **A-tähte** (nt **1** ja **A**), siis tuleb aktiivsefiltrid vahetada või neid pesta, olenevalt filtri tüübist.

Kui puhas filter on tagasi pandud, siis tuleb elektrooniline mälu lähtestada, hoides nuppu **A** umbes **5 sekundit** all, kuni **F** või **A** lakkab kuvaril **C** vilkumast.

• **Mehhaanilised juhtseadmed (joon. 13):** märkide seletused on esitatud alljärgnevalt:

**A** = VALGUSE / ON-OFF nupp

**B** = OFF / ESIMESE KIIRUSE nupp

**C** = TEISE KIIRUSE nupp

**D** = KOLMANDA KIIRUSE nupp

Kui õhupuhasti on väljalülitamise ajal esimesel, teisel või kolmandal kiirusel, läheb ta pärast uuesti sisselülitamist tööle samal töökiirusel, mis oli määratud enne väljalülitamist.

## KEELDUME IGASUGUSEST VASTUTUSEST MAINITUD JUHENDITE MITTEJÄRGIMISEST TEKKIDA VÕIVA KAHJU EEST.

**УКРАЇНСЬКОЮ** **UA**

### ЗАГАЛЬНІ ЗАУВАЖЕННЯ

Уважно вивчіть цю брошуру, які містить важливу інформацію щодо безпечного монтажу, використання і технічного обслуговування приладу. Збережіть брошуру на майбутнє. Прилад спроектований для використання у витяжній (відведення повітря назовні - Мал.1В), фільтруючій модифікації (рециркуляція повітря всередині - Мал.1А) або у модифікації з зовнішнім двигуном (Мал.1С).

### ЗАХОДИ БЕЗПЕКИ

1.Завжди стежте за тим, чи працюють одночасно витяжка і пальник або духовка, які залежать від повітря навколишнього середовища і які живляться енергією, що відрізняється від електричної, оскільки витяжка віднімає частину повітря, в якому пальник або духовка мають потребу для горіння. Негативний тиск у приміщенні не повинен перевищувати 4 Па (4х10-5 бар). Для безвідмовної роботи, забезпечте відповідну вентиляцію приміщення. У тому, що стосується відведення повітря назовні, слідуйте нормам, що діють у вашій країні.

#### Перед підключенням моделі до електричної мережі:

- перевірте заводську табличку з даними (розташовану всередині приладу), щоб переконатися, що напруга і потужність відповідають напрузі і потужності в мережі, а сполучне гніздо їм підходить. У випадку сумнівів проконсультуйтеся з кваліфікованим електриком.

-Якщо кабель живлення пошкоджений, його необхідно замінити спеціальними кабелем або комплектом для підключення від виробника або його служби технічної допомоги.

-Під'єднайте пристрій до мережі живлення за допомогою штепселя з запобіжником ЗА або до двох проводів двофазного провідника, захищених запобіжником ЗА.

#### 2.Увага!!!

**За певних обставин побутові електроприлади можуть бути небезпечними.**

**А) не намагайтеся перевіряти фільтри при працюючій витяжці.**

**В) не торкайтеся ламп і прилеглих зон, під час їх роботи і відразу ж після тривалого використання освітлення.**

**С) забороняється готувати їжу на відкритому полум'ї під витяжкою.**

**Д) Уникайте відкритого полум'я, тому що воно ушкоджує фільтри і є пожежебезпечним.**

**Е) Весь час стежте за температурою жию, щоб уникнути спалаху перегрітого масла або олії.**

**Ф) До виконання будь-якого технічного обслуговування, вимкніть витяжку з електричної мережі.**

**Г) Даний прилад не призначений для використання дітьми або особами, що вимагають нагляду.**

**Н) Забороняйте дітям гратися з приладом.**

**І) Якщо витяжка використовується одночасно з приладами, працюючими на газі або на іншому паливі,**

**приміщення має вентилюватися належним чином.**

**Л) Якщо очищення приладу не проводиться згідно до інструкцій, існує небезпека виникнення пожежі.**

Даний пристрій маркований у відповідності до Європейської Директиви 2002/96/ЕС, Електричне та електронне обладнання, що підлягає утилізації (WEEE). Переконавшись у тому, що даний виріб утилізується належним чином, користувач сприяє попередженню потенційних негативних наслідків для навколишнього середовища і здоров'я людини.



Символ на виробі або супровідній документації означає, що до даного продукту не можуть застосовуватися норми як до побутових відходів, але він має бути доставлений у відповідний пункт для збору для утилізації електричної та електронної апаратури. КДійте відповідно до місцевих норм з переробки відходів. Для подальшої інформації про обробку, відновлення й рециркулювання цього виробу, зверніться до відповідного місцевого відділу, служби по збиранню побутових відпрацьованих матеріалів або торговельної точки, де був придбаний даний виріб.

### ІНСТРУКЦІ З УСТАНОВКИ

• **Операції із монтажу і підключення до електричної мережі мають виконуватися фахівцями.**  
• **Перш ніж виконувати операції з монтажу, одягніть захисні рукавички.**

#### • Підключення до електричної мережі:

-Пристрій спроектований за класом II, тому немає необхідності підключення кабелю до заземлення. Має забезпечуватися зручний доступ до розетки після встановлення пристрою. У випадку, якщо пристрій має кабель без роз'єму, для його підключення до електричної мережі необхідно вставити між пристроєм і мережею вимикач для всіх наявних контактів з відстанню між ними не менше 3 мм, розрахований на навантаження відповідно до діючих норм.

-Підключення до електричної мережі повинне виконуватися таким чином:  
КОРИЧНЕВИЙ = **L** фаз  
СИНІЙ = **N** нейтраль.

• Мінімальна відстань між поверхнею для установки посуду на пристрої для приготування і найбільш низькою частиною витяжки не повинна бути меншою за **65 см**. Необхідно використовувати шланг для підключення, що складається з двох або більше частин, верхня частина має бути зовнішньої частини.

Не підключайте вихідний отвір витяжки до повітропроводу, в якому проходить холодне або відпрацьоване повітря для виведення димів пристроїв, що працюють не на електричній енергії.

До початку операцій з монтажу, для поліпшення маневрності пристрою, витягніть протижировий фільтр/и (Мал.5).

- У разі монтажу установки у витяжній модифікації підготуйте отвір для відведення повітря.

• Рекомендується використовувати трубопровід для відведення відпрацьованого повітря того ж діаметру, що й фланець на виході повітря. При використанні перехідника можуть зменшитися експлуатаційні показники приладу та зрости його шум.



#### • Закріплення на стіні

Підготуйте отвори **A**, дотримуючись вказаних розмірів (Мал. 2). Закріпіть установку на стіні і вирівняйте її в горизонтальному положенні відносно до навісних полок. Після регулювання закріпіть витяжку остаточно за допомогою 2 гвинтів **A** (мал. 4). Для різних видів монтажу використовуйте додаткові гвинти та пробки, які відповідають стіні даного типу (наприклад залізобетонної, гіпсокартонної, тощо). У випадку, якщо гвинти та пробки поставляються разом із виробом, переконайтеся в тому, що вони придатні для стіни, в якій має бути закріплено витяжку.

#### • Кріплення декоративних телескопічних з'єднань

Підготуйте електричне живлення у рамках розмірів декоративного з'єднання. Якщо ваш пристрій має бути встановлений у витяжній версії або у версії із зовнішнім двигуном, підготуйте отвір для виведення повітря. Відрегулюйте довжину підтримуючого кронштейну верхнього з'єднання (мал. 3). Потім, за допомогою гвинтів **A** (мал. 3) та зважаючи на відстань від стелі, вказану на мал. 2, зафіксуйте його на стелі так, щоб він був на одній осі з вашою витяжкою. З'єднайте, за допомогою з'єднувальної труби, фланець **C** з отвором для виведення повітря (мал. 4), стягніть верхнє з'єднання до кронштейну та зафіксуйте його за допомогою гвинтів **B** (мал. 3). Для перенастроювання витяжної версії у фільтруючу придбайте у вашого постачальника фільтри на активованому вугіллі та виконайте інструкції з монтажу.

#### • Фільтруюча модифікація

Встановіть витяжку і два з'єднання як вказано в параграфі, що стосується монтажу витяжки у витяжній версії. Для монтажу девіатора, що фільтрує повітря, дивіться інструкції, що знаходяться в комплекті. Якщо такий комплект не постачається, зверніться за ним до вашого постачальника, як за додатковими аксесуарами. Фільтри мають бути встановлені на витяжному блоці, розміщеному у середині витяжки, шляхом їх установки у центрі і повороту на 90 градусів до упору (Мал. 6).

### ВИКОРИСТАННЯ ТА ОБСЛУГОВУВАННЯ

• Рекомендується ввімкнути установку ще до приготування будь-якої їжі. Рекомендується дати установці попрацювати протягом 15 хвилин після закінчення приготування їжі для повного відведення відпрацьованого повітря. Надійна робота витяжки обумовлена правильним і постійним технічним обслуговуванням; особливо увагу необхідно приділяти протижировому фільтру і фільтру з активованого вугілля.

• **Протижировий фільтр** уловлює жирові частинки з повітря, тому ступінь його забруднення залежить від термінів використання приладу.

- Щоб запобігти пожежам, необхідно кожні 2 місяці (або частіше) промивати протижирові фільтри: вручну за допомогою нейтральних і не абразивних миючих засобів або у посудомийній машині, застосовуючи короточасні цикли з низькими температурами.

- Через декілька циклів миття кольори можуть змінитися. Це не розглядатиметься як привід для рекламаций та вимогів на їх заміну.

• **Фільтри з активованим вугіллям** очищують повітря, яке випускається в приміщення; вони сприяють уникненню

неприємних запахів, які утворюються під час готування.

- Одноразові фільтри з активованим вугіллям мають замінюватися через кожні 4 місяці (або частіше). Насичення активованого вугілля залежить від термінів використання приладу, від типу кухні й інтервалів очищення протижирового фільтру.

- Багаторазові фільтри з активованим вугіллям мають промиватися вручну за допомогою нейтральних і не абразивних миючих засобів або в посудомийній машині при температурі не вище 65°C (виконайте цикл миття без іншого посуду). Видаліть зайву воду, не зашкоджуючи фільтр, видаліть пластмасові деталі, і висушіть волокно у духовці протягом 15 хвилин при температурі не більше 100°C. Щоб забезпечити ефективність багаторазового фільтру з активованим вугіллям, виконайте такі дії кожні 2 місяці. Такі фільтри мають замінюватися раз у 3 роки (або частіше), а також при виявленні пошкодженого волокна.

• **Переконайтеся, що протижирові або фільтри з активованим вугіллям добре висушені, і тільки після цього встановлюйте їх на місце.**

• **Виконайте регулярне чищення всіх забруднень на вентиляторі і на інших поверхнях, використовуючи тканину, змочену денатурованим спиртом або рідкими нейтральними не абразивними миючими засобами.**

• Блок освітлення спроектований для використання під час приготування їжі і не призначений для тривалого використання для загального освітлення приміщення. Тривале використання освітлення істотно зменшує середній термін служби ламп.

• Якщо прилад оснащений освітленням, його можна використати для звичайного освітлення приміщення.

• **Увага:** Недотримання заходів з очищення витяжки, заміни або чищення фільтрів може викликати загрозу пожежі. Рекомендується чітко дотримуватися наведених інструкцій.

#### • Заміна світлодіодних ламп (Мал.7):

Якщо у версії приладу передбачені світлодіоди, для їхньої заміни слід звернутися до фахівця.

#### • Заміна галогенових ламп (Мал.8):

Щоб замінити галогенові лампи **B**, зніміть скло **C**, діючи важелем на спеціальні прорізи. Замініть їх лампами того ж типу.

**Увага:** не торкайтеся до ламп незахищеними руками.

#### • Заміна ламп розжарювання/галогенних ламп (Мал.9):

Використовуйте тільки лампи того ж типу і потужності (Вт), що й встановлені в приладі.

• **Засоби управління механічні (Мал.10)** система символів розшифрована нижче:

**A** = кнопка ОСВІТЛЕННЯ  
**B** = кнопка OFF (ВИМКН)  
**C** = кнопка ПЕРША ШВИДКІСТЬ  
**D** = кнопка ДРУГА ШВИДКІСТЬ  
**E** = кнопка ТРЕТЯ ШВИДКІСТЬ.

• **Засоби управління Світлові (Мал.11)** систему символів розшифровано нижче:

**A** = клавіша ОСВІТЛЕННЯ  
**B** = клавіша ВИМКН  
**C** = клавіша ПЕРША ШВИДКІСТЬ  
**D** = клавіша ДРУГА ШВИДКІСТЬ  
**E** = клавіша ТРЕТЯ ШВИДКІСТЬ  
**F** = клавіша ТАЙМЕР АВТОМАТИЧНА ЗУПИНКА 15 хвилин (\*).



Якщо у Вашому приладі передбачено функцію **ІНТЕНСИВНОЇ** швидкості, тоді на ТРЕТІЙ швидкості натисніть та притримайте 2 секунди кнопку **Е**, щоб активувати цю функцію. Через 10 хвилин прилад повернеться до попередньо заданої швидкості.

Під час роботи цієї функції блиматиме світлодіод.

Щоб перервати функцію раніше 10 хвилин, знову натисніть на кнопку **Е**.

У деяких моделях цю функцію можна активувати також на першій або другій швидкостях.

При натисканні на клавішу **Ф** впродовж 2 секунд (коли витяжку вимкнено), активується функція **"чисте повітря"**. При цій функції двигун вмикається на першу швидкість впродовж 10 хвилин кожної години. Як тільки активується ця функція, двигун починає роботу на 1-й швидкості протягом 10 хвилин, у котрі повинні блимати одночасно клавіша **Ф** та клавіша **С**.

Після закінчення цього часу двигун вимикається і світлодіодне підсвічування клавіші **Ф** залишатиметься доти, поки через наступні 50 хвилин двигун знову не розпочне роботу на першій швидкості і світлодіоди кнопок **Ф** і **С** знову не блиматимуть протягом 10 хвилин, і так далі.

При натисканні на будь-яку клавішу окрім освітлення, витяжка відразу повертається в режим своєї нормальної роботи (наприклад, якщо натиснути на клавішу **Д**, вимикається функція **"чисте повітря"** і двигун починає працювати на 2-й швидкості; при натисканні на клавішу **В** функція вимикається).

(\*) Функція **"АВТОМАТИЧНЕ ВИМИКАННЯ ЗА ТАЙМЕРОМ"** переносить вимикання витяжки, яка продовжує працювати на швидкості, яка була на момент вмикання цієї функції, на 15 хвилин.

#### • Насичення фільтру-жироуловлювача/фільтру з активованим вугіллям:

-Якщо кнопка **А** блимає з інтервалом у **2 сек.**, це вказує на необхідність миття фільтрів-жироуловлювачів.

-Якщо кнопка **А** блимає з інтервалом у **0,5 сек.**, це вказує на необхідність миття або заміни фільтрів з активованим вугіллям.

Встановивши на місце очищений фільтр, необхідно скинути електронну пам'ять, натиснувши на кнопку **А** впродовж **5 сек.** Літера **А** має припинити блимання.

#### • Засоби управління (Мал.12):

**Клавіша А** = увімкнення/вимкнення світла.

**Клавіша В** = увімкнення/вимкнення витяжки. Прилад вмикається на 1-й швидкості. Для вимкнення витяжки натискайте на клавішу впродовж 2 секунд. Для вимкнення витяжки, яка працює на 1-й швидкості, немає необхідності в утримуванні клавіші натиснутою. Зменшує швидкість двигуна.

**Дисплей С** = показує вибрану швидкість двигуна та активацію таймера.

**Клавіша D** = вмикає витяжку. Збільшує швидкість двигуна. При натисканні на клавішу 3-ої швидкості на 10 хвилин вмикається функція інтенсивної роботи, потім пристрій знову працює на тій робочій швидкості, яка була до активації цієї функції. Під час роботи цієї функції дисплей блимає.

**Клавіша Е** = Таймер відстроює вимкнення працюючих функцій на 15 хвилин. При повторному натисканні на клавішу **Е** функцію таймера буде вимкнено. Якщо функція Таймер активована, на дисплеї має блимати десяткова крапка. Таймер не можна активувати при вимкненій функції інтенсивної швидкості.

При натисканні на клавішу **Е** впродовж 2 секунд у вимкненому пристрої активується функція **"чисте повітря"**. При її роботі двигун вмикається на першу швидкість впродовж 10 хвилин кожної години. Під час роботи на дисплеї відображається обертальний рух периферійних сегментів. Після цього часу двигун вимикається і на дисплеї з'являється літера **"С"**, яка не зникає до тих пір, поки, ще через 50 хвилин двигун знову на розпочне роботу впродовж 10 хвилин, і так далі. Щоб повернутися в нормальний режим роботи, натисніть на будь-яку клавішу, окрім клавіші освітлення. Для вимкнення функції натисніть на клавішу **Е**.

#### • Насичення фільтру-жироуловлювача/фільтру з активованим вугіллям:

-Якщо на дисплеї **С** по черзі блимають робоча швидкість і літера **Ф** (прикл.1 і **А**), це вказує на необхідність миття фільтрів-жироуловлювачів.

-Якщо на дисплеї **С** по черзі блимають робоча швидкість і літера **А** (прикл.1 і **А**), це вказує на необхідність миття або заміни фільтрів з активованим вугіллям.

Встановивши на місце очищений фільтр, необхідно скинути електронну пам'ять, натиснувши на кнопку **А** впродовж **5 сек.** Літери **Ф** або **А** на дисплеї **С** мають припинити блимання.

#### • Органи механічного керування (Мал. 13) : надалі наведені умовні позначення:

**А**= кнопка ОСВІТЛЕННЯ / УВІМКН.-ВИМКН.

**В**= кнопка ВИМКН. / ПЕРША ШВИДКІСТЬ

**С**= кнопка ДРУГА ШВИДКІСТЬ

**Д**= кнопка ТРЕТЯ ШВИДКІСТЬ

Якщо вимкнути витяжку на першій, другій або третій швидкості, після повторного увімкнення вона відновить роботу на цій же швидкості.

#### ВИРОБНИК НЕ НЕСЕ БУДЬ-ЯКОЇ ВІДПОВІДАЛЬНОСТІ ЗА МОЖЛИВИЙ ЗБИТОК, ВИКЛИКАНИЙ НЕДОТРИМАННЯМ ВИЩЕЗАДАНИХ НОРМ.

**БЪЛГАРСКИ**

**BG**

#### ОБЩИ ДАННИ

Прочетете внимателно съдържанието на тази книжка, за да се запознаете с важни указания във връзка с безопасността при монтаж, работа и поддръжка. Съхранявайте книжката за извършване на справка при необходимост. Уредът е проектиран за използване, при вариант със засмукване (извеждане на въздуха навън - Фиг.18 (рециркулиране на въздуха отвътре - Фиг.1А) или с външен двигател (Фиг.1С).

#### ПРЕДУПРЕЖДЕНИЯ ЗА БЕЗОПАСНОСТ

1. Да се внимава ако работят едновременно аспиратор и горелка или огнище, които зависят от въздуха на средата и се захранват от енергия, различна от електрическата, тъй като при работата си аспираторът отнема от средата въздух, необходим за горенето на горелката или огнището. Отрицателното налягане в помещението не трябва да превишава 4 Pa (4x10<sup>-5</sup> bar).  
Затова за безопасност при работа трябва да се предвиди подходяща вентилация на помещението. За външно извеждане трябва да се придържате към действащите разпоредби във вашата страна.

### Преди да свържете модела към електрическата мрежа:

-вижте табелката с данните (от вътрешната страна на уреда), за да се уверите, че напрежението и мощността съответстват на мрежовите и свързващия контакт е подходящ. При съмнение консултирайте се с квалифициран електротехник.

-Ако захранващият кабел е повреден, той трябва да се подмени с кабел или специален комплект, който можете да намерите при производителя или в неговия сервиз за техническа поддръжка и ремонт.

-Свържете приспособлението към електрическото захранване чрез контакт с предпазител със стопяема вложка 3А, или към двата двуфазни проводника, защитени от предпазител със стопяема вложка 3А.

### 2.ВНИМАНИЕ!

При определени обстоятелства домакинските електроруди могат да бъдат опасни.

**A) Не се опитвайте да контролирате филтрите при работещ аспиратор.**

**B) Не докосвайте лампите и близките до тях зони по време или веднага след продължителна работа на осветителната инсталация.**

**C) Забранено е да се приготвя храна на пламъка под аспиратора.**

**D) Избягвайте открития пламък, тъй като може да повреди филтрите и е пожароопасен.**

**E) Наблюдавайте непрекъснато пърженето, за да се избегне запалване на загрятото олио.**

**F) Преди извършване на работи по поддръжката аспираторът трябва да се изключи от електрическата мрежа.**

**G) Този уред не е предназначен за използване от деца или от лица, които трябва да бъдат наблюдавани.**

**H) Обърнете внимание децата да не си играят с уреда.**

**I) Когато аспираторът се използва, едновременно с уреди с гасова горелка или друг вид гориво, помещението трябва да бъде с подходяща вентилация.**

**L) Когато операциите по почистване, не се извършват, в съответствие с инструкциите, има опасност от възникване на пожари.**

Този уред е в съответствие с Европейската Директива 2002/96/EC, Waste Electrical and Electronic Equipment (WEEE). Като се грижи това изделие да бъде преработено по подходящ начин, потребителят допринася за предотвратяване на отрицателните последици за околната среда и здравето.



Символът върху изделието или върху съпровождащата го документация показва, че това изделие не трябва да се изхвърля заедно с битови отпадъци, а да се занесе в пункт за рециклиране на електрически и електронни уреди.

Изхвърлете го, следвайки местните нормативи за преработване на отпадъците. За по-нататъшна информация относно третирането, възстановяването и рециклирането на това изделие, се свържете с подходящия местен отдел, службата по събиране на битови отпадъци или с магазина, от който сте закупили уреда.

### ИНСТРУКЦИИ ЗА ИНСТАЛИРАНЕ

- Операциите по монтаж и електрическо свързване трябва да се извършват от специализиран персонал.
- Използвайте предпазни ръкавици, преди започване на операциите по монтажа.

### • Електрическо свързване:

-Уредът е произведен с клас на защита II, затова никой от кабелите не трябва да бъде включен в заземен контакт.

Щепселът трябва да бъде лесно достъпен след инсталирането на уреда.

В случай, че уредът е доставен с кабел без щепсел, за да го свържете към електрическата мрежа, необходимо е да инсталирате между уреда и мрежата еднополюсен прекъсвач с минимално отваряне между контактите 3 mm, оразмерен за натоварването и отговарящ на действащите норми.

-Свързването към електрическата мрежа трябва да се извърши, както следва:

КАФЯВ = L фаза

СИН = N нула.

• Минималното разстояние между опорната повърхност на съдовете за готвене върху приспособлението за готвене и най-ниската част на кухненския аспиратор трябва да бъде най-малко 65 cm. Ако се наложи използването на тръба за свързване, състояща се от две или повече части, горната част трябва да бъде от външната страна на долната. Не свързвайте изхода на аспиратора към тръба, по която циркулира горещ въздух или се използва за извеждане на дима от уреди, които се захранват от енергия, различна от електрическата. Преди да преминете към операциите по монтажа за по-лесно маневриране с уреда свалете обезмаслителния филтър/филтри (Фиг.5).

- При монтаж на уреда във версия аспиратор, подгответе отвора за извеждане на въздуха.

• Препоръчва се използване на тръба за извеждане на въздуха, със същия диаметър, като този на фланеца на извеждане на въздуха. Използването на умалител, може да намали характеристиките на уреда и да увеличи шума.

### • Фиксиране към стената

Пробийте отворите А, като спазвате посочените разстояния (Фиг.2). Фиксирайте уреда към стената и го позиционирайте хоризонтално с опорите. След правилно позициониране фиксирайте окончателно аспиратора чрез 2-та винта А (Фиг.4).

За различно монтиране използвайте винтове и дюбели, подходящи за типа стена (напр. армиран бетон, гипсокартон, и т.н.). Когато винтовете и дюбелите са доставени в комплект с изделието трябва да се уверите, че са подходящи за типа стена, към която трябва да се фиксира аспираторът.

### • Фиксиране на декоративни телескопични връзки

Подгответе електрическото захранване в рамките на декоративната връзка. Ако вашият уред трябва да бъде инсталиран във версия аспиратор или във версия вълнен двигател, подгответе отвора за извеждане на въздуха. Регулирайте широчината на поддържащата скоба на горната връзка (Фиг.3). След това я фиксирайте към тавана така, че да бъде съосна с вашия аспиратор чрез винтовете А (фиг.3) като спазвате посоченото на Фиг.2 разстояние от тавана.

Свържете чрез тръба за връзка фланеца С към отвора за извеждане на въздух (Фиг.4).

Поставете горната връзка в долната. Фиксирайте долната връзка към отвеждащия комин, като използвате винтовете В, доставени с комплекта (Фиг. 4). Издърпайте горното съединение до нивото на скобата и го фиксирайте чрез винтовете В (Фиг.3).

За да трансформирате уреда от версия аспиратор във версия филтър, поискайте от вашия дистрибутор филтри

с активен въглен и следвайте инструкциите за монтаж.

### • Версия филтър

Инсталирайте уреда и двете свързващи части така, както е посочено в параграфа за монтаж на уреда във версия аспиратор. За монтажа на отклонението за филтриран въздух следвайте инструкциите, съдържащи се в комплекта. Ако комплектът не е включен в доставката, поръчайте го при Вашия доставчик като аксесоар.

Филтрите трябва да се поставят към аспиращата група, разположена във вътрешната част на уреда, да се центрират към нея и да се завъртят на 90 градуса до фиксиране чрез щракване (Фиг.6).

## ЕКСПЛОАТАЦИЯ И ПОДДРЪЖКА

• Препоръчва се уредът да се включи в работно положение преди да се премине към приготвяне на каквато и да е храна. Препоръчва се да се остави уредът да работи 15 минути след като е приключило приготвянето на храната за пълно извеждане на замърсения въздух. Добрата работа на уреда зависи от неговата правилна и постоянна поддръжка, като се отдели особено внимание на обезмаслителния филтър и на филтъра с активен въглен.

• **Обезмаслителният филтър** има за задача, да задържа мазните частици налични във въздуха, затова той трябва да се почиства на различни периоди, в зависимост от използването на уреда.

- За предотвратяване опасността от възникване на пожари, най-много на 2 месеца, трябва да се измива обезмаслителният филтър на ръка, използвайки неутрални, неабразивни, течни препарати за почистване или в миялна машина, при ниска температура и на кратка програма.

- След няколко измивания, могат да настъпят промени в цвета. Това не е повод за рекламация, а цел извършване замяна на уреда.

• **Филтрите с активен въглен** служат за пречистване на въздуха, навлизащ в помещението, и имат за задача намаляване на неприятните миризми, отделяни по време на готвене.

- Филтрите с активен въглен, за еднократна употреба, трябва да се сменят на най-много на всеки 4 месеца. Насищането с активен въглен, се получава при сравнително продължително използване, от вида на кухнята и от редовността, на извършване почистване на обезмаслителният филтър.

- Филтрите с активен въглен за многократна употреба, трябва да се мият на ръка, с неутрални, неабразивни почистващи препарати, или в миялни машини, при максимална температура от 65°C (цикъла на измиване, трябва да се извършва без кухненски съдове). Отстранете водата, която е в повече, без да увреждате филтъра, свалете пластмасовите части, и изсушете подложката във фурната, най-малко за около 15 минути, при температура от максимум 100°C. За поддръжане доброто действие, на филтъра с активен въглен за многократна употреба, тази операция трябва да се извършва на всеки 2 месеца. Тези филтри трябва да се сменят, максимум на всеки 3 години или при повреждане на подложката.

• **Преди поставяне обратно на обезмаслителният филтър и филтъра с активен въглен за многократна употреба, е важно те да бъдат добре изсушени.**

• **Почиствайте често всички отлагания по вентилатора и по другите повърхности като използвате парче плат, натопено в денатуриран спирт или неутрални течни миешки препарати, които не са абразивни.**

• Осветителната инсталация е проектирана за работа по

време на готвене, а не за продължителна употреба като основно осветление на помещението. Продължителната употреба на осветлението значително намалява средния живот на лампите.

• Когато уредът разполага с **лампички за осветление**, те могат да се използват, като продължително основно осветление на помещението.

• **Внимание:** неспазването на предупрежденията за почистване на аспиратора и на смяната и почистването на филтрите, е свързано с риск от възникване на пожари. Затова препоръчваме, да се придържате към посочените указания.

### • Смяна на лампите LED (Фиг.7):

Когато варианта на лампите е LED при смяната им, трябва това да се извършва от техник специалист.

### • Смяна на халогенните лампи (Фиг.8):

За да смените халогенните лампи **В**, свалете стъклото **С**, като плъзнете в специалните процепи.

Заменете с електрически крушки от същия вид.

**Внимание:** не пипайте електрическата крушка с голи ръце.

### • Смяна на лампа с нажежаема жичка/халогенна (Фиг.9):

Използвайте само лампи от същия вид и волтаж, като тези монтирани на уреда.

• **Команди (Фиг.10) механични** символите са изброени по-долу:

**A** = бутон ОСВЕТЛЕНИЕ

**B** = бутон OFF

**C** = бутон ПЪРВА СКОРОСТ

**D** = бутон ВТОРА СКОРОСТ

**E** = бутон ТРЕТА СКОРОСТ.

• **Команди светлинни (Фиг.11)**, чийто символи са дадени по-нататък:

**A** = бутон ОСВЕТЛЕНИЕ

**B** = бутон ИЗКЛЮЧВАНЕ

**C** = бутон ПЪРВА СКОРОСТ

**D** = бутон ВТОРА СКОРОСТ

**E** = бутон ТРЕТА СКОРОСТ

**F** = бутон ЧАСОВНИК АВТОМАТИЧНО СПИРАНЕ 15 минути

Когато вашият уред е снабден с функция за скорост **ИНТЕНЗИВНА**, тръгвайки от ТРЕТА скорост и като държите натиснат за около 2 секунди бутона **E**, функцията се активира за 10 минути, след което се връща на скоростта зададена преди това.

Когато функцията е активирана и ИНДИКАТОРА мига.

За да я прекъснете, преди изтичане на 10 минути, натиснете отново бутона **E**.

При някои модели, може да се активира функцията и при първа и втора скорост.

Натискайки бутон **F** за 2 секунди (с изключение абсорбатор) се включва функцията "чист въздух". Тази функция включва двигателя на първа скорост за 10 минути на всеки час. С включването на тази функция, двигателят започва да работи на 1-ва скорост в продължение на 10 минути, през които трябва едновременно да примигват бутон **F** и бутон **C**. След изтичане на този интервал от време двигателят угасва и светлинният индикатор на бутон **F** продължава да свети с непрекъсната светлина докато след още 50 минути двигателят се включи отново на първа скорост и светоиндикаторите **F** и **C** започнат отново да примигват за

10 минути и т.н. С натискането на който и да е от бутоните, без тези за осветление, абсорбаторът се връща веднага в нормален режим на работа (напр. с натискане на бутона **D** се деактивира функцията “чист въздух” и двигателят преминава веднага на 2-ва скорост; с натискане на бутона **V** функцията се деактивира).

(\*) Функцията “**ЧАСОВНИК АВТОМАТИЧНО СПИРАНЕ**” забавя спирането на абсорбатора, който ще продължи да работи още 15 минути на текущата работна скорост в момента на включване на тази функция.

#### • Препълване на филтрите Против мазнина/Активен въглен:

-Когато бутона **A** мига с честота от **2 секунди**, противомаслените филтри трябва да се измият.

-Когато бутона **A** мига с честота от **0,5 секунди**, филтрите от активен въглен, трябва да се заменят или да се измият, в зависимост от вида на филтъра.

След поставяне на чистият филтър, трябва да се направи ресет на електронната памет, с натискане на бутона **A** за около **5 секунди** до спиране на мигането.

#### • Управление (Фиг.12):

**Бутон A** = включване/изключване на осветлението.

**Бутон B** = включване/изключване на уреда. Уредът се включва на 1-ва степен. Ако абсорбаторът е включен, натиснете бутона за 2 сек, за да изключите. Ако уредът е на 1-ва степен, не е необходимо да държите натиснат бутона, за да изключите. Намалява скоростта на двигателя. **Дисплей C** = показва избраната степен и включването на таймера.

**Бутон D** = включва уреда. Увеличава скоростта на двигателя. С натискането на 3-та степен се включва интензивна функция за 10 минути, след което уредът се връща към първоначалната скорост. По време на тази функция дисплейта примигова.

**Бутон E** = Таймерът задава времето за изпълнение на функциите, 15 минути от включването, след което те се изключват. Таймерът се деактивира, като отново се натисне бутона **E**. Когато функцията **Таймер** е активна, на дисплея примигова десетичната точка. Ако е включена интензивната скорост, таймерът не може да се включи.

С натискането на бутона **E** за 2 секунди, когато уредът е изключен, ще се включи функцията “**ист въздух**”. Тя включва мотора на първа скорост за 10 минути на всеки час. По време на работа дисплеят трябва да показва въртливо движение на периферните сегменти. След изтичане на този интервал от време дисплеят трябва да показва без примигване буквата “**C**”, докато отминат 50 минути и моторът се включи отново за 10 минути, и т.н. За връщане към нормален режим на работа натиснете някой от бутоните с изключение на тези за осветлението. За изключване на функцията натиснете бутона **E**.

#### • Препълване на филтрите Против мазнина/Активен въглен:

-Когато екрана **C** мига с промяна на работната скорост с буквата **F** (напр. **1** и **F**), филтрите против мазнина трябва да се измият.

-Когато екрана **C** мига с промяна на работната скорост с буквата **A** (напр. **1** и **A**), филтрите с активен въглен, трябва да се сменят или да се измият, в зависимост от вида на филтъра.

След поставяне на чистият филтър, трябва да се направи ресет на електронната памет, с натискане на бутона **A** за

около **5 секунди**, до спиране на мигането на сигнализационната **F** или **A** на екрана **C**.

• **Механични команди (Фиг.13)** : следва указание на символите:

**A**= бутон СВЕТЛИНА / ON-OFF

**B**= бутон OFF / ПЪРВА СКОРОСТ

**C**= бутон ВТОРА СКОРОСТ

**D** = бутон ТРЕТА СКОРОСТ.

Когато отдушника се спре на първа, втора или трета скорост, в момента на повторно включване, отдушника заработва на същата скорост на действие, зададена в момента на изключване.

**ПРОИЗВОДИТЕЛЯТ НЕ НОСИ НИКАКВА ОТГОВОРНОСТ ЗА ЕВЕНТУАЛНИ ЩЕТИ, ПРИЧИНЕНИ ОТ НЕСПАЗВАНЕ НА ГОРЕИЗЛОЖЕНИТЕ ПРЕДУПРЕЖДЕНИЯ.**

**SLOVENSKY**

**SK**

#### ZJĽADNÉ ÚDAJE

Dôkladne si prečítajte obsah tejto príručky, nakoľko poskytuje dôležité pokyny vzťahujúce sa k bezpečnej montáži, použitiu a údržbe. Uschovávajte príručku pre nasledujúce konzultácie. Prístroj je zhotovený pre použitie s odsávacou verziou (odvod vzduchu do vonkajšieho prostredia - Obr.1B) a filtračnou verziou (recyklácia vzduchu vo vnútri - Obr.1A) alebo s externým motorom (Obr.1C).

#### BEZPEČNOSTNÉ POKYNY

1. Dívajte pozor, či nie je súčasne v činnosti odsávač pír a horjík alebo zdroj plameňa, ktorý potrebuje ku svojmu horeniu vzduch v miestnosti, napíjaný inou energiou ako elektrickou, pretože odsávač pír odoberá vzduch z okolia, ktorý potrebuje horjík alebo plameň na horenie. Podtlak v miestnosti nesmie prekročiť 4Pa (4x10<sup>-5</sup> bar). Pre bezpečnú prevádzku preto zaistite odpovedajúcu ventiláciu miestnosti. Pri odvíjzaní vzduchu do vonkajšieho prostredia je nutné, aby ste sa riadili platnými predpismi vašej krajiny.

#### Pred pripojením modelu k elektrickému rozvodu:

-Skontrolujte štítok s údajmi (umiestnený vo vnútri zariadenia) a overte, či napätie a výkon odpovedajú danému elektrickému rozvodu a či je zisovka elektrického rozvodu vhodná na zapojenie zariadenia. V prípade pochybností sa obráťte na kvalifikovaného elektroinštalatéra.

-Ak je napíjací kábel poškodený, musí byť nahradený špeciálnym káblom alebo sadou, ktoré sú k dispozícii u výrobcu alebo v jeho servisnom stredisku.

-Pripojte zariadenie k napíjaniu prostredníctvom zističky s poistkou s menovitou hodnotou 3A alebo k dvom vodičom dvojfázového vedenia, chránených poistkou s menovitou hodnotou 3A.

#### 2. Upozornenie!

**Za určitých okolností môžu byť elektrospotrebiče nebezpečné.**

**A) Nepokúšajte sa o kontrolu filtrov pri zapnutom odsávači.**

**B) Nedotýkajte sa žiaroviek a príslušných častí počas dlhodobého použitia osvetlenia alebo bezprostredne po ňom.**

**C) Je zakázané pripravovať jedlí na plameni pod odsávačom.**

**D) Vyhnite sa manipulácii s otvoreným plameňom, pretože poškodzuje filtre a je nebezpečný z hľadiska vzniku požiaru.**

**E) Neustúpte udržujte pod kontrolou smažený jedlí, aby ste zabránili vznieteniu rozpíleného oleja.**

**F) Pred vykonaním akýchkoľvek údržby odpojte odsávač z elektrického rozvodu.**

**G) Nie je vhodné, aby toto zariadenie používali deti alebo osoby, ktoré musia byť pod dozorom.**

**H) Zabezpečte, aby sa deti so zariadením nehrali.**

**I) Ak sa bude odsávač používať súčasne s prístrojmi, ktoré spaľujú plyn alebo iné palivo, musí byť zabezpečené dostatočné vetranie miestnosti.**

**L) Pokiaľ nebudú operácie čistenia vykonávané podľa pokynov, existuje nebezpečenstvo vzniku požiaru.**

Toto zariadenie je označené v súlade s Európskou smernicou 2002/96/ES, Waste Electrical and Electronic Equipment (WEEE). Tým, že si užívateľ preverí správny spôsob likvidácie tohto výrobku, predchádza prípadným negatívnym vplyvom na životné prostredie a na zdravie.



Symbol na výrobku alebo na priloženej dokumentácii poukazuje na to, že sa s týmto výrobkom nesmie zaobchádzať ako s bežným domovým odpadom, ale musí sa odoslať do vhodnej zberne, určenej na recykláciu elektrických a elektronických zariadení. Zariadenia sa musíte zbaviť v súlade s miestnymi predpismi na likvidáciu odpadu. Podrobnejšie informácie o zaobchádzaní s týmto výrobkom, jeho opätovnom použití a recyklácii môžete získať, keď sa obrátite na príslušný miestny úrad, zbernú službu domového odpadu alebo obchod, v ktorom ste výrobok zakúpili.

## POKYNY PRE INŠTALÁCIU

- **Operácie spojené s montážou a elektrické zapojenie môže vykonávať len odborný personál.**
- **Pred zahájením montáže použite ochranné rukavice.**

### • Elektrické zapojenie:

- Zariadenie je vyrobené v triede II, a preto žiaden kábel nesmie byť pripojený k zemniacej zásuvke.

Po inštalácii zariadenia musí zástrčka ostať ľahko prístupná. V prípade, ak je zariadenie vybavené káblom bez zástrčky, na jeho pripojenie do elektrického rozvodu je potrebné zapojiť medzi zariadenie a rozvod omnipolárny vypínač so vzdialenosťou kontaktov minimálne 3 mm, navrhnutý s ohľadom na daný odber a platné normy.

- Pripojenie do elektrickej siete musí byť vykonané nasledovne: HNEDÝ = fázový vodič (L)  
MODRÝ = nulový vodič (N).

• Minimálna vzdialenosť medzi varnou doskou a najnižšou časťou kuchynského odsávača musí byť najmenej **65 cm**. V prípade použitia spojovacieho potrubia, skladajúceho sa z dvoch alebo viacerých dielov, musí byť horný diel nasadený na spodný diel. Odvod odsávača nepripájajte k odvodu, v ktorom cirkuluje teplý vzduch, ani k odvodu, ktorý sa používa na odvod dymu zo zariadení napájaných inou energiou ako elektrickou. Pred zahájením montáže vyberte z odsávača protitukový/é filter/re (Obr.5).

- Uľahčíte si tak manipuláciu so zariadením. V prípade, že vykonávate montáž odsávacej verzie zariadenia, pripravte otvor na odvádzanie vzduchu.

• Odporúča sa použitie odsávacieho potrubia vzduchu s rovnakým priemerom, aký má príruha na výstupe vzduchu.

Použitie menšieho priemeru môže znížiť výkonnosť prístroja a zvýšiť hlučnosť.

### • Montáž na stenu

Prípravte otvory **A**, podľa uvedených rozmerov (obr. 2). Prípevnite zariadenie na stenu tak, aby bolo v rovine (v horizontálnom smere) so zavesenými (hornými) skrinkami. Po ustavení upevnite odsávač pomocou 2 skrutiek **A** (obr. 4). Pri montáži používajte skrutky a rozperné kotvy vhodné pre daný druh steny (napr. z betónu, sádkokartónu, atď.) V prípade, ak sú skrutky a kotvy dodávané v príslušenstve výrobku, uistite sa, či sú vhodné pre daný druh steny, na ktorú má byť odsávač pripavený.

### • Upevnenie dekoráčnych teleskopických spojov

Prípravte elektrické napájanie do priestoru dekoratívneho spoja. Ak má váš výrobok pracovať vo verzii ako odsávač, alebo vo verzii vonkajšieho motora, pripravte otvor na odvádzanie vzduchu. Nastavte šírku oporného strmeňa horného spoja (obr. 3). Následne ho prostredníctvom skrutiek **A** (obr. 3) upevnite k stropu tak, aby sa nachádzal v osi s vašim odsávačom, pričom dodržte vzdialenosť od stropu, uvedenú na obr. 2. Spojovacia rúru pripojte ku prírube **C** a potom k otvoru pre odvádzanie vzduchu (obr. 4).

Na záver zasunite horný spoj dovnútra spodného spoja. Prípevnite spodný spoj k odsávaču s použitím skrutiek **B** z príslušenstva (obr. 4), vyťahnite horný spoj až po konzolu a upevnite ho prostredníctvom skrutiek **B** (obr. 3).

Pri zmene odsávača z odsávacej na filtračnú verziu, požiadajte vášho predajcu o filtre s aktívnym uhlím a vykonajte jednotlivé operácie v súlade s pokynmi pre inštaláciu.

### • Filtračná verzia

Nainštalujte odsávač pár a dva spoje spôsobom znázorneným v odstavci, ktorý sa týka montáže odsávača v odsávacej verzii. Pri montáži odchylovača filtrujúceho vzduch sa riadte pokynmi uvedenými v príslušnej sade. Ak sada nie je súčasťou príslušenstva, môžete si ju objednať u Vášho predajcu ako doplnok. Filtre musia byť aplikované na odsávacia jednotku, umiestnenú vo vnútri odsávača, musia byť na nej vystredené a otočené o 90 stupňov, až po cvaknutie dorazu (Obr.6).

## POUŽITIE A ÚDRŽBA

• Odporúčame vám uviesť zariadenie do činnosti ešte pred zahájením prípravy akéhokoľvek jedla. Odporúča sa ponechať zariadenie v činnosti po dobu 15 minút po ukončení prípravy jedlí, aby bol úplne odvedený zapichajúci vzduch. Správna činnosť odsávača je podmienená správnou a nepretržitou údržbou; zvláštnu pozornosť je potrebné venovať protitukovému filtru a filtru s aktívnym uhlím.

• **Protitukový filter** má za úlohu zadržiavať tukové častice, nachádzajúce sa vo vzduchu, preto je možné, že dôjde k jeho upchatiu v závislosti od frekvencie používania prístroja.

- Aby sa vyholo nebezpečenstvu vzniku eventuálnych požiarov, je potrebné umyť protitukové filtre aspoň raz za 2 mesiace pomocou neutrálnych a neabrazívnych tekutých čistiacich prostriedkov ručne alebo v umývačke na riady pri nízkej teplote a v krátkych cykloch.

- Po niekoľkých umytiach môže dôjsť k zmene farby. Tento fakt nie je opodstatnený pre reklamáciu a žiadosť o ich eventuálnu výmenu.

• **Filtre s aktívnym uhlíkom** slúžia na prečistenie vzduchu, ktorý sa dostáva do prostredia a majú za účel zoslabiť nepríjemné pachy, vznikajúce počas varenia.

- Filtre s aktívnym uhlíkom, ktoré sú neregenerovateľné, sa musia vymieňať aspoň raz za 4 mesiace. Nasýtenie aktívnym



uhlíkom závisí od dĺžky používania prístroja, typu kuchyne a pravidelnosti, s ktorou sa vykonáva čistenie protitukového filtra.

- Filtre s aktívnym uhlíkom, ktoré sú regenerovateľné, sa musia umývať pomocou neutrálnych a neabrazívnych tekutých čistiacich prostriedkov ručne alebo v umývačke na riady pri maximálnej teplote 65°C (kompletný cyklus umývania bez riadov). Odstráňte prebytočnú vodu tak, aby ste filter nepoškodili, odstráňte umelohmotné časti a nechajte vysušiť filtrovú podušku v rúre po dobu najmenej 15 minút pri teplote maximálne 100°C. Pre zachovanie účinnosti uhlíkového regenerovateľného filtra je potrebné zopakovať túto operáciu každé 2 mesiace. Filtre sa musia vymieňať aspoň raz za 3 roky, alebo keď je filtrová poduška poškodená.

• **Skôr, než opätovne namontujete protitukové filtre a filtre s aktívnym uhlíkom, je dôležité, aby tieto boli dobre oschnuté.**

• **Pravidelne vyčistite všetky rýnsy na ventilátore a na ďalších plochých s použitím navlhčenej utierky a denaturovaného liehu alebo tekutých neutrálnych neabrazívnych čistiacich prostriedkov.**

• Osvetlenie je navrhnuté na použitie počas varenia a nie na dlhodobé použitie pre osvetlenie okolitého prostredia. Dlhodobšie použitie osvetlenia výrazne znižuje priemernú životnosť žiaroviek.

• Pokiaľ je prístroj vybavený svetlom pre osvetlenie prostredia, môže byť toto používané dlhodobo ako všeobecný zdroj osvetlenia prostredia.

• **Pozor:** nedodržiavanie upozornení k čisteniu odsávača a výmene a čisteniu filtrov predstavuje riziko vzniku požiarov.

#### • **Výmena kontroliek LED (Obr.7):**

Ak sa jedná o zariadenie s kontrolkami LED, je k ich výmene potreba zásahu odborného technika.

#### • **Výmena halogénových žiaroviek (Obr.8):**

Pri výmene halogénových žiaroviek **B** odložte sklíčko **C** jeho nadvihnutím cez príslušné otvory. Vymeňte žiarovky za žiarovky rovnakého druhu.

**Upozornenie:** nedotýkajte sa žiarovky holými rukami.

#### • **Výmena výbojkových žiaroviek/halogénových žiaroviek (Obr.9):**

Používajte iba žiarovky rovnakého typu a výkonu, ako sú žiarovky nainštalované na prístroji.

#### • **Ovládacie prvky (Obr.10) mechanického typu;** ich symboly sú uvedené njsledne:

**A** = tlačidlo OSVETLENIA

**B** = tlačidlo VYPNÚŤ

**C** = tlačidlo PŔIAMEJ RÝCHLOSTI

**D** = tlačidlo DRUHEJ RÝCHLOSTI

**E** = tlačidlo TRETEJ RÝCHLOSTI.

#### • **Ovládacie prvky Svetelné (Obr.11)** ch symboly sú uvedené následne:

**A** = tlačidlo OSVETLENIA

**B** = tlačidlo VYPNUTIA

**C** = tlačidlo PRVEJ RÝCHLOSTI

**D** = tlačidlo DRUHEJ RÝCHLOSTI

**E** = Tlačidlo TRETEJ RÝCHLOSTI

**F** = tlačidlo ČASOVAČA AUTOMATICKÉHO ZASTAVENIA 15 minút (\*)

Ak je vaše zariadenie už vybavené funkciou **VYSOKEJ** rýchlosti, potom pri prepnutí na **TRETIU** rýchlosť a stlačení tlačidla **E** po dobu približne 2 sekúnd bude na desať minút táto vysoká

rýchlosť aktivovaná, a potom sa zariadenie vráti k prevádzke na predtým nastavenú rýchlosť.

Keď je funkcia aktívna, kontrolka LED bliká.

Pre prerušenie režimu pred uplynutím 10 minút znova stlačte tlačidlo **E**.

U niektorých modelov je možné funkciu aktivovať aj na prvej a druhej rýchlosti.

Stlačením tlačidla **F** na 2 sekundy (pri vypnutí odsávači), dôjde k aktivácii funkcie "**clean air**". V rámci jej použitia dôjde na dobu 10 minút každú hodinu k zapnutiu motora a k jeho činnosti s otáčkami na prvom stupni. Bezprostredne po aktivácii funkcie bude motor uvedený do chodu 1. Rýchlosťou na dobu 10 minút, počas ktorých musia súčasne blikat tlačidlo **F** a tlačidlo **C**. Po uplynutí tejto doby dôjde k vypnutiu motora a LED tlačidla **F** zostane rozsvietená stálym svetlom, až kým po uplynutí ďalších 50 minút nedôjde k rozbehnutiu motora s otáčkami na prvom stupni, k zahájeniu blikania LED **F** a **C** na dobu 10 minút atď. Stlačením ľubovoľného tlačidla s výnimkou tlačidla osvetlenia dôjde k okamžitému obnoveniu bežnej činnosti odsávača (napr. Ak stlačíte tlačidlo **D** dôjde k zrušeniu funkcie "**clean air**" a k prechodu motora na 2. rýchlosť; stlačením tlačidla **B** je možné funkciu zrušiť).

(\*) Funkcia "**ČASOVAČA AUTOMATICKÉHO ZASTAVENIA**" oneskoruje zastavenie odsávača, ktorý bude pokračovať v činnosti prevádzkovou rýchlosťou aktívnu pri zapnutí tejto funkcie, o 15 minút.

#### • **Zanesenie filtrov proti mastnote/filtrov s aktívnym uhlím:**

-Keď tlačidlo **A** bliká vo frekvencii **2 sekúnd**, filtre proti mastnote je nutné vymyť.

-Keď tlačidlo **A** bliká vo frekvencii **0.5 sekúnd**, filtre s aktívnym uhlím je nutné vymeniť alebo vymyť podľa typu.

Po vrátení vyčisteného filtra na jeho miesto je potreba vynulovať elektrický pamäť stlačením tlačidla **A** na približne **5 sekúnd**, dokiaľ neprestane blikat.

#### • **Ovládacie prvky (Obr.12):**

**Tlačidlo A** = Zapnutie/vypnutie osvetlenia.

**Tlačidlo B** = Zapnutie/vypnutie odsávača. Zariadenie bude zapnuté 1. rýchlosťou. Ak je odsávač zapnutý, môžete ho vypnúť stlačením tlačidla na 2 sekundy. Ak odsávač pracuje 1. rýchlosťou, na jeho vypnutie nie je potrebné podržať tlačidlo stlačené. Dôjde ku zníženiu otáčok motora.

**Displej C** = Zobrazuje zvolené otáčky motora a aktiváciu časovača.

**Tlačidlo D** = Zapnutie odsávača. Spôsobí zvýšenie otáčok motora. Stlačením tlačidla 3. Rýchlosti dôjde k aktivácii funkcie intenzívnej činnosti na dobu 10', a po ich uplynutí dôjde k obnoveniu prevádzkovej rýchlosti používanej pred aktiváciou. Počas použitia tejto funkcie bude displej blikat.

**Tlačidlo E** = Časovač pri aktivácii časuje jednotlivé funkcie po dobu 15 minút, a potom dôjde k ich vypnutiu. K zrušeniu činnosti časovača dôjde po opätovnom stlačení tlačidla **E**. Keď je funkcia časovača aktívna, musí blikat desiatinná čiarka. Ak je aktivovaná funkcia intenzívnej činnosti, aktivácia časovača nie je možná.

Stlačením tlačidla **E** na 2 sekundy pri vypnutí zariadení, dôjde k aktivácii funkcie "**clean air**". V rámci jej použitia dôjde na dobu 10 minút každú hodinu k zapnutiu motora a k jeho činnosti s otáčkami na prvom stupni. Počas činnosti musí displej zobrazovať otočný pohyb obvodových grafických segmentov. Po uplynutí tejto doby dôjde k vypnutiu motora a k zobrazeniu písmena "**C**" na displeji stálym spôsobom, až do chvíle, keď



po uplynutí ďalších 50 minút bude motor znovu uvedený do chodu na ďalších 10 minút atď. Obnovenie bežnej činnosti sa vykonáva stlačením ľubovoľného tlačidla okrem tlačidla osvetlenia. Zrušenie funkcie sa vykonáva stlačením tlačidla E.

#### • Zanesenie filtrov proti mastnote/filtrov s aktívnym uhlím:

-Keď displej C striedavo zobrazuje rýchlosť prevádzky s písmenom F (napr. 1 a F), je nutné filtre proti mastnote vymyť.

-Keď displej C striedavo zobrazuje rýchlosť prevádzky s písmenom A (napr. 1 a A), je nutné filtre s aktívnym uhlím vymeniť alebo vymyť podľa typu.

Po vrátení vyčisteného filtra na jeho miesto je potreba vynulovať elektrickú pamäť stlačením tlačidla A na približne 5 sekúnd, dokiaľ neprestane blikať signalizácia F alebo A na displeji C.

#### • Mechanické ovládanie (Obr.13) : symboly sú uvedené nasledovne:

A= tlačidlo SVETLO / ON-OFF

B= tlačidlo OFF / PRVÁ RÝCHLOSŤ

C= tlačidlo DRUHÁ RÝCHLOSŤ

D = tlačidlo TRETIA RÝCHLOSŤ

Pokiaľ sa odsávač pár vypne pri prvej, druhej alebo tretej rýchlosti; v okamihu jeho opätovného zapnutia sa spustí s rovnakou prevádzkovou rýchlosťou, aká bola nastavená v momente vypnutia.

#### VÝROBCA ODMIETA AKÚKOLĽEK ZODPOVEDNOSŤ ZA PRÍPADNÉ ŠKODY SPÔSOBENÉ NEDODRŽANÍM UVEDENÝCH POKYNOV.

SRPSKI

SR

#### OPŠTI DEO

Pažljivo prečítajte obsah ovej knjižice sa uputstvima jer se u njoj nalaze važne indikacije koje se tiču sigurnosti prilikom instalacije, upotrebe i održavanja. Čuvajte ovu knjižicu da biste je mogli naknadno konsultovati. Aparat je projektovan za korištenje u usisnoj verziji (izbacivanje vazduha napolje - Sl.1B) i filtracijskoj verziji (kruženje vazduha u unutrašnjosti prostorije - Sl.1A) ili sa spoljašnjim motorom (Sl.1C).

#### BEZBEDNOSNA UPOZORENJA

1.Vodite računa da ne rade istovremeno aspirator i neki gorionik ili ložište koji koriste vazduh iz prostorije, a napajaju se energijom drugačijom od električne, jer aspirator odvlači iz prostorije vazduh potreban gorioniku ili ložištu za sagorevanje. Negativan pritisak u prostoriji ne sme da pređe 4 Pa (4x10<sup>-5</sup> bar). Za bezbedan rad, znači, treba bezbediti odgovarajuće provetranje prostorije. Pri spoljnom izvlačenju treba se pridržavati propisa važećih u vašoj zemlji.

#### Pre povezivanja uređaja sa električnom mrežom:

-Proverite pločicu sa podacima (smještenu unutar uređaja) da biste se uverili da napon i snaga odgovaraju mreži i da li je utičnica odgovarajuća. U slučaju da niste sigurni pozovite kvalifikovanog električara.

-Ukoliko je energetski kabl oštećen, treba ga zameniti novim ili posebnim sklopom koji se može nabaviti kod proizvođača ili kod službe tehničke podrške.

-Povežite uređaj za napajanje preko utikača sa osiguračem

3A ili na dva dvofazna kabla zaštićena osiguračem 3A.

#### 2.PAŽNJA!

U određenim okolnostima kućni električni uređaji mogu biti opasni.

A) Ne pokušavajte proveru filtera sa uključenim aspiratorom.

B) Ne dirajte lampu i zonu oko nje, tokom i odmah posle duge upotrebe sistema rasvete.

C) Ispod aspiratora je zabranjena priprema hrane na plamenu.

D) Izbegavajte otvoreni plamen jer je štetan za filtere i predstavlja opasnost od požara.

E) Proveravajte stalno prženu hranu kako bi se izbeglo paljenje pregrejanog ulja.

F) Pre obavljanja bilo koje operacije održavanja, iskopčajte aspirator iz električne mreže.

G) Ovaj uređaj nije namenjen za upotrebu od strane dece ili osobe kojima je potreban nadzor.

H) Proveravajte da se deca ne igraju uređajem.

I) Kada se kuhinjska napa koristi istovremeno sa drugim aparatima na gas ili druge vrste goriva treba da provetravate prostoriju na prikladan način.

L) Ukoliko se operacije čišćenja ne budu obavljale poštujuću uputstva, postoji rizik od nastajanja požara.

Ovaj uređaj je označen u skladu sa evropskom Direktivom 2002/96/EC, Odlaganje elektro i elektronske opreme (Waste Electrical and Electronic Equipment, WEEE). Osiguravajući ispravno odlaganje ovog uređaja na otpad, korisnik učestvuje u prevenciji negativnih posledica po životnu sredinu i zdravlje.



Simbol na proizvodu ili u priloženoj dokumentaciji ukazuje na to da ovaj proizvod ne treba tretirati kao kućni otpad, nego ga treba predati odgovarajućim sabirnim centrima za reciklažu elektro i elektronskih uređaja. Oslobodite se uređaja u skladu sa lokalnim propisima o odlaganju otpada. Za dalje informacije o tretiranju, prikupljanju i reciklaži ovog proizvoda kontaktirajte odgovarajuću lokalnu ustanovu, službu prikupljanja kućnog otpada ili prodavnicu u kojoj je proizvod kupljen.

#### UPUTSTVA ZA POSTAVLJANJE

• Operacije ugradnje i elektro povezivanja treba da izvede specijalizovano osoblje.

• Koristite zaštitne rukavice pre nego što počnete sa operacijama montaže.

#### • Elektro povezivanje:

-Uređaj je izveden u klasi II tako da nijedan vod ne treba da bude povezan sa uzemljenjem.

Utikač treba da bude lako dostupan nakon instalacije uređaja. U slučaju da je uređaj opremljen vodom bez utikača, da bi ste ga povezali na električnu mrežu treba da između uređaja i mreže ubacite višepolni prekidač sa minimalnim otvorom između kontakata od 3 mm, sa dimenzijama koje su u skladu sa opterećenjem i koji odgovara važećim propisima.

-Povezivanje na električnu mrežu treba izvesti na sledeći način:

BRAON = L faza

PLAVA = N nula.

• Minimalno rastojanje između noseće površine sudova na uređaju za kuvanje i najnižeg dela kuhinjskog aspiratora treba da bude najmanje 65 cm. Ukoliko je potrebno upotrebiti cev za povezivanje koja se sastoji od nekoliko delova, gornji deo treba da stoji sa spoljne strane donjeg dela. Vod za izbacivanje

na aspiratoru ne povezivati sa vodom kroz koji prolazi topao vazduh ili vod koji se koristi za izbacivanje dimova iz uređaja koji se napajaju energijom drugačijom od električne. Pre pristupanja ugradnji, zbog lake manipulacije uređajem izvucite filter/e protiv zamašćivanja (Sl.5).

- U slučaju ugradnje uređaja u usisnoj verziji obezbedite otvor za izbacivanje vazduha.

• Savetujemo Vam korišćenje cevi za izbacivanje vazduha koji ima isti prečnik kao i prirubnica za izlaz vazduha. Korišćenje reduktora prečnika mi moglo dovesti do smanjenja performansa proizvoda i do povećanja nivoa buke aparata.

#### • Pričvršćivanje na zid

Izvesti otvore **A** prema datim kotama (Sl.2). Pričvrstite uređaj na zid i poravnajte ga po horizontali sa višećim elementima. Posle podešavanja pričvrstite aspirator u konačnom položaju pomoću 2 zavrtnja **A** (Sl.4). Za različite tipove ugradnje koristite zavrtnje i tiple koji odgovaraju vrsti zida (npr. armirani beton, gipsane ploče, i sl.). U slučaju da su zavrtnji i tiple isporučeni uz proizvod proverite da li odgovaraju vrsti zida na koji treba pričvrstiti aspirator.

#### • Pričvršćivanje ukrasnih teleskopskih spojki

Obezbedite električno napajanje unutar prostora ukrasne spojke.

Ukoliko vaš uređaj treba da bude ugrađen u usisnoj verziji ili u verziji sa spoljnim motorom, obezbedite otvor za izbacivanje vazduha. Podesite širinu noseće letve gornje spojke (Sl.3).

Zatim je pričvrstite, pomoću zavrtnjeva, za plafon tako da bude u osi sa aspiratorom **A** (Sl.3) i poštujući odstojanje od plafona naznačeno na Sl.2.

Povežite, pomoću cevi za spajanje, prirubnicu **C** sa otvorom za izbacivanje vazduha (Sl.4).

Gornju spojku uvucite u donju. Pričvrstite donju spojku za aspirator koristeći zavrtnje **B** iz pakovanja (Sl.4), izvucite gornju spojku do letve i pričvrstite je zavrtnjima **B** (Sl.3).

Za transformisanje aspiratora iz usisne u filtrirajuću verziju tražite od vašeg prodavca filtere sa aktivnim ugljem i pratite uputstva za ugradnju.

#### • Filtrirajuća verzija

Postavite aspirator i spojke prema uputstvu iz paragrafa koji se odnosi na ugradnju aspiratora u usisnoj verziji. Za ugradnju skretnice filtrirajućeg vazduha pogledati uputstva data u kompletu. Ukoliko se komplet ne nalazi u pakovanju, naručiti ga kod prodavca kao dodatni uređaj. Filteri treba da budu postavljeni na usisnoj jedinici koja se nalazi unutar aspiratora, tako što se centriraju i okreću za 90 stepeni sve dok se ne čuje zvuk zaustavljanja (Sl.6).

## UPOTREBA I ODRŽAVANJE

• Preporučuje se pokretanje uređaja pre početka kuvanja bilo koje namirnice. Preporučuje se da se uređaj ostavi da radi još 15 minuta nakon pripreme hrane, kako bi se izvukao sav loš vazduh. Dobar rad aspiratora je uslovljen ispravnim i redovnim održavanjem; posebnu pažnju treba obratiti na filter protiv zamašćivanja i filter sa aktivnim ugljem.

• **Filter za uklanjanja masnoće** ima zadatak da zadržava čestice masnoće koje lebde u vazduhu pa zato može doći do njegovog zasićenja; koliko brzo do toga dolazi zavisi o tome koliko često se aparat koristi.

- Da bi se sprečilo eventualno izbijanje požara, svako najviše 2 meseca operite ručno filtere za uklanjanje masnoće a pri tom koristite neutralne deterđžete koji ne grebu, ili ih stavite u mašinu za pranje sudova na niskoj temperaturi i uključite

kratak ciklus pranja.

- Nakon što operete filtere nekoliko puta primetićete da oni menjaju boju. Ta promena boje Vam ne daje pravo za reklamaciju i niti ćete zbog toga dobiti pravo na njihovu eventualnu zamenu.

• **Aktivni karbonski filteri** imaju ulogu pročišćavanje vazduha koji se ponovno vraća u ambijent i isto tako imaju i funkciju uklanjanja neprijatnih mirisa koji se stvaraju tokom kuvanja.

- Aktivni karbonski filteri koji se ne obnavljaju se treba da zamene svako najviše 4 meseca. Zasićenje aktivnog karbonskog filtera će zavisi o tome koliko često se koristi ovaj aparat, o načinu kuvanja i o tome da li se čišćenje filtera za uklanjanje masnoće obavlja na pravilan način.

- Aktivni karbonski filteri koji se obnavljaju se treba da operu ručno, uz pomoć neutralnih deterđženata koji ne grebu ili u mašini za pranje sudova na maksimalnoj temperaturi od 65°C (kompletan ciklus pranja bez drugih sudova unutra).

Uklonite višak vode bez da time oštetite filter, skinite plastične delove, osušite madraščić u peći u trajanju od 15 minuta na temperaturi od maksimalno 100°C. Da bi karbonski filter ostao efikasnim treba da ponovite ovu operaciju svako 2 meseca. Njega treba da zamenite maksimalno svako 3 godine ili kada primetite da je madraščić oštećen.

• **Pre nego što ponovno postavite filtere za uklanjanje masnoće i aktivne karbonske filtere koji se obnavljaju važno je da ih dobro osušite.**

• **Često čistite kuhinjsku napu, bilo unutra bilo spolja koristeći pri tom krpu koju ste ovlažili denaturalizovanim alkoholom za kućansku upotrebu ili neutralnim deterđžentima koji ne grebu.**

• Uređaj za rasvetu je projektovan da bi se koristio tokom kuvanja a ne da bi bio dodatna rasveta ambijenta. Budete li dugo koristili ovu rasvetu smanjićete znatno životni vek trajanja lampa.

• Ako aparat ima na sebi **svetlo za osvetljavanje ambijenta** ono se može koristiti i kao dodatna rasveta ambijenta.

• **Pažnja:** nepoštovanje upozorenja o čišćenju kuhinjske nape te o zameni i čišćenju filtera dovodi do povećavanja rizika od nastajanja požara. Zato Vam preporučujemo da se pridržavate navedenih upozorenja.

#### • Zamena LED lampa (Sl.7):

Ako se radi o verziji aparata sa **LED** lampama intervenciju treba da obavi specijalizovani tehničar.

#### • Zamena halogenih sijalica (Sl.8):

Da biste izvršili zamenu halogenih sijalica **B** skinite staklo **C** koristeći odgovarajuće otvore.

Zamenu izvršite sijalicama istog tipa.

**Pažnja:** ne dirati sijalice golim rukama.

#### • Zamena halogenih lampa/sijalica (Sl.9):

Koristite samo lampe istog tipa i snage prilikom instalacije na aparat.

• **Mehaničke komande (Sl.10)** : u sledećem tekstu se navode simboli:

**A** = taster SVETLO

**B** = taster OFF

**C** = taster PRVA BRZINA

**D** = taster DRUGA BRZINA

**E** = taster TREĆA BRZINA.

• **Komande Svetleće (Sl.11)** simboli su dati u nastavku:

**A** = taster SVETLO

**B** = taster OFF

**C** = taster PRVA BRZINA

**D**= taster DRUGA BRZINA

**E**= taster TREĆA BRZINA

**F**= taster TAJMER AUTOMATSKO ZAUSTAVLJANJE 15 minuta (\*)

Ako vaš aparat ima funkciju za **INTENZIVNU** brzinu polazeći od **TREĆE** brzine i držeći pritisnutim u trajanju od otprilike 2 sekunda dugme **E** ono će se aktivirati u trajanju od 10 minuta nakon čega će se vratiti na prethodno postavljenu brzinu.

Kada je funkcija aktivna, LED svetlo blešti.

Ako želite da prekinete tu funkciju pre nego što istekne 10 minuta ponovo pritisnite dugme **E**.

Kada se radi o pojedinim modelima moguće je aktivirati ovu funkciju čak i na prvoj i drugoj brzini.

Držanjem tastera **F** pritisnutog 2 sekunde (kada je uređaj ugašen) aktivira se funkcija «čišćenje vazduha» ("clean air"). Ova funkcija uključuje motor na 10 minuta na svakih sat vremena u prvoj brzini. Čim se aktivira funkcija, motor radi u 1° brzini 10 minuta tokom kojih treba istovremeno da trepere taster **F** i taster **C**. Po isteku ovog perioda motor se gasi a led dioda tastera **F** ostaje da svetli konstantno sve dok se posle narednih 50 minuta motor ne pokrene u prvoj brzini i diode **F** i **C** ne počnu da trepere tokom 10 minuta i tako dalje. Pritiskom na bilo koji taster osim taster rasvete aspirator se trenutno vraća u svoj normalan rad (pr. ako se pritisne taster **D** isključuje se funkcija «čišćenje vazduha» ("clean air"), a motor odmah prelazi u 2° brzinu; pritiskom na taster **B** funkcija se isključuje).

(\*)Funkcija "TAJMER AUTOMATSKO ZAUSTAVLJANJE" zadržava na 15 minuta zaustavljanje aspiratora, koji će produžiti da radi na radnoj brzini kojom je radio u trenutku uključivanja ove funkcije.

#### • Zasićenje filtera za Uklanjanje masnoće/Aktivnog karbonskog filtera:

-Kada dugme **A** blešti u trajanju od **2 sekunda** treba oprati filtere za uklanjanje masnoće .

-Kada dugme **A** blešti u trajanju od **0,5 sekunda** treba oprati ili zameniti aktivne karbonske filtere u odnosu na vrstu filtra kojeg posedujete.

Nakon što postavite čisti filter treba da obavite resett elektronske memorije na način da pritisnete dugme **A** u trajanju od otprilike **5 sek.** sve dok ona ne prestane da blešti .

#### • Komande (Sl.12):

**Taster A** = Paljenje/gašenje svetla.

**Taster B** = Paljenje/gašenje aspiratora. Uređaj se pali u 1° brzini. Ako je aspirator upaljen, držati taster pritisnut 2 sek. za gašenje. Ako se aspirator nalazi u 1° brzini, nije potrebno taster držati pritisnutim da bi se ugasio. Smanjuje brzinu motora.

**Displej C** = Pokazuje odabranu brzinu motora i aktiviranje tajmera.

**Taster D** = Paljenje aspiratora. Povećava brzinu motora. Pritiskom na taster 3° brzine uključuje se funkcija pojačavanja na 10 minuta, a zatim se uređaj vraća na radnu brzinu iz trenutka pokretanja. Tokom ove funkcije displej treperi.

**Taster E** = Tajmer određuje periode funkcija, u trenutku pokretanja, na 15 minuta posle njihovog gašenja. Tajmer se isključuje pritiskom na taster **E**. Kada je funkcija tajmera aktivna, na displeju treba da treperi tačka decimala. Ako je pokrenuta pojačana brzina, tajmer se ne može aktivirati.

Držanjem tastera **E** pritisnutog 2 sekunde, kada je uređaj isključen, aktivira se funkcija «čišćenje vazduha» ("clean air"). Ovim se uključuje motor na po 10 minuta na svakih sat vremena u prvoj brzini. Tokom rada displej treba da očitava

kružno kretanje perifernih elemenata. Po isteku ovog perioda motor se gasi a na displeju ostaje ispisano slovo "C" sve dok se posle narednih 50 minuta motor ne pokrene na sledećih 10 minuta i tako dalje. Za povratka na redovan rad pritisnuti bilo koji taster osim tastera rasvete. Za isključivanje funkcije pritisnuti taster **E**.

#### • Zasićenje filtera za Uklanjanje masnoće/Aktivnog Karbonskog Filtera:

-Kada na displeju **C** blešti slovo **F** i menja brzinu rada (npr.1 i **F**) treba oprati filtere za uklanjanje masnoće.

-Kada na displeju **C** blešti slovo **A** i menja brzinu rada (npr.1 i **A**) treba oprati ili zameniti aktivne karbonske filtere u odnosu na vrstu filtera kojeg posedujete.

Nakon što postavite čisti filter treba da obavite resett elektronske memorije na način da pritisnete dugme **A** u trajanju od otprilike **5 sek.** sve dok ne prestane da blešti signalizacija **F** ili **A** na displeju **C**.

#### • Mehaničke komande (Sl.13) : u sledećem tekstu se navode simboli:

**A**= taster SVETLO / ON-OFF

**B**= taster OFF / PRVA BRZINA

**C**= taster DRUGA BRZINA

**D**= taster TREĆA BRZINA.

Ako se aspirator isključuje u trenutku u kojem je u prvoj, drugoj ili trećoj brzini, kada ga ponovo uključite nastaviti će sa radom na istoj brzini na kojoj je bio u trenutku isključivanja.

#### OGRAĐUJEMO SE OD BILO KAKVE ODGOVORNOSTI ZA EVENTUALNU ŠTETU NASTALU ZBOG NEPOŠTOVANJA NAVEDENIH UPOZORENJA.

МАКЕДОНСКИ 

#### ОПШТО

Прочитајте ги внимателно следните важни информации за местeњето, безбедноста и одржувањето. Чувајте ја брошурата на достапно место за подоцнежна референца. Апаратот е конструиран за употреба како верзија за во вентилација (издувување воздух на надвор – слика 1B), верзија со филтер (кружење на воздухот внатре - слика 1A) или со надворешен мотор (слика 1C).

#### БЕЗБЕДНОСНИ МЕРКИ

1. Внимавајте кога аспираторот работи заедно со отворено огниште или плински шпорет којшто зависат од околниот воздух и не се на електричен погон, бидејќи аспираторот го влече воздухот што им е потребен за горење. Негативниот притисок во околината не смее да надминува 4Pa (4x10<sup>-5</sup> bar). Овозможете соодветно проветрување во околината за безбедна работа на аспираторот. Почитувајте ги локалните закони што важат за издувување воздух на надвор.

#### Пред да го поврзете апаратот со електричната мрежа:

- проверете на плочката со податоци (сместена внатре во апаратот) за да видите дали напонот и моќноста се соодветни за електричната мрежа и приклучоците. Ако се сомневате, посветувајте се со квалификуван електричар.  
- Ако напојниот кабел е оштетен, мора да се замени со друг кабел или посебен комплет за напојување којшто може да

се набави директно од производителот или од Центарот за техничка помош.

-Поврзете го апаратот со електричната мрежа преку приклучок обезбеден со осигурувач од 3 A или со 2 фазни жици заштитени со осигурувач од 3 A.

## 2.Предупредување!

**Во одредени околности електричните апарати може да бидат опасни.**

**А) Не проверувајте ја состојбата на филтрите додека работи аспираторот.**

**Б) Не допирајте ги сијалиците или подрачјето околу нив за време или после подолга употреба на инсталацијата за осветлување.**

**В) Забрането е фламбурање под аспираторот.**

**Г) Избегнувајте отворен пламен бидејќи е опасен за филтрите и може да предизвика пожар.**

**Д) Постојано проверувајте ја храната што се пржи затоа што прегреаното масло може да предизвика пожар.**

**Ѓ) Исклучете го апаратот од електричната мрежа пред какво било одржување.**

**Е) Апаратот не е наменет да го употребуваат мали деца или немоќни лица без надзор.**

**Ж) Треба да се внимава мали деца да не си играат со апаратот.**

**З) Mora да има соодветно проветрување во просторите каде што аспираторот се користи заедно со апарати што горат гас или други горива.**

**С) Постои опасност од избивање пожар ако апаратот не се чисти согласно со упатствата.**

Апаратот е произведен според барањата на европската Директива ЕС/2002/96 за отпадна електрична и електронска опрема (WEEE). Фрлајќи го апаратот на соодветен начин, корисникот помага да се спречи потенцијалната штета за животната средина и здравјето.



Симболот на производот или на придружната документација укажува дека апаратот не смее да се фрла како обичен отпад, туку да се однесе на соодветно место за рециклирање електрични и електронски апарати. Почитувајте ги локалните упатства за фрлање отпад. За повеќе информации за обработката, повторната употреба и рециклирањето на овој производ, обратете се кај локалните власти, комуналната служба или продавницата кадешто сте го купиле апаратот.

## УПАТСТВО ЗА МЕСТЕЊЕ

• **Составувањето и поврзувањето на електриката треба да го вршат квалификувани лица.**  
• **Користете заштитни ракавици пред да почнете со монтирањето.**

### • Поврзување на електриката:

Апаратот е произведен како класа II, затоа не е потребен кабел за везмување.

Приклучникот за струја мора да е лесно достапен по местењето на апаратот.

Ако е апаратот опремен со кабел за струја без приклучник, меѓу апаратот и електричното напојување мора да се монтира соодветен повеќеполен прекинувач со минимални отвори од 3 мм помеѓу контактите, во согласност со оптовареноста и тековните прописи.

Поврзувањето со електричната мрежа се врши на следниов начин:

КАФЕНА = Фза

СИНА = Нула.

• Растојанието меѓу капацитите на садовите за готвење ставени на шпоретот и најнискиот дел на аспираторот мора да биде најмалку **65 cm**. Ако се користи кунк од два дела, горниот дел мора да се постави од надворешната страна на долниот. Не поврзувајте го излезниот отвор на аспираторот со иста вентилација што се користи и за кружење на топол воздух или за излез на чадот од други грејни тела што не се на електричен погон. Пред да почнете со составувањето, извадете ги филтрите за маснотии (слика XXX) за да ви биде полесно да ракувате со апаратот.  
-Ако составувате апарат што е во верзија за во вентилација, подгответе го првин излезниот отвор за воздухот.

• Се препорачува употреба на издувна цевка за воздух со ист дијаметар како прирабничките за излез на воздух. Користење на стегач може да ги намали перформансите на производот и да ја зголеми бучавата.

### • Прицврстување на сид

Издупчете ги дупките А внимавајќи на дадените растојанија (слика 2). Прицврстете го апаратот на сидот и порамнете го во хоризонтална положба во однос на другите елементи. Кога ќе го наместите апаратот, прицврстете го аспираторот со шрафовите А (слика 4).

За разни видови инсталации користете шрафови и типли што одговараат на сидот на сидот (на пр. за зајакнат бетон, гипс-картон или сл.). Ако шрафовите и типлите се приложени со производот, проверете дали одговараат на сидот на сидот на којшто треба да се прицврсти аспираторот.

### • Прицврстување на украсниот продолжен кунк

Поставете го напојувањето со електрична енергија во склад со димензиите на украсниот кунк. Ако вашиот апарат треба да се намести како верзија за во вентилација или со надворешен мотор, подгответе го отворот за излез на воздухот. Приспособете ја широчината на држачот на горниот дел на кункот (слика 3).

Потоа прицврстете го на плафонот со помош на шрафовите

**А** (слика 3) така што ќе биде порамнет со капакот, соодветно на растојанието од плафонот прикажано на слика 2. Поврзете го ободот **С** со отворот за излез на воздухот со цевка за поврзување (слика 4).

Вметнете го горниот кунк во долниот и положете ги врз рамката. Продолжете го горниот кунк нагоре до држачот и прицврстете го со шрафовите **В** (слика 3).

За да го претворите аспираторот од верзија за во вентилација во верзија со филтер, побарајте јагленски филтри од својот продавач и постапете според упатството за местење.

### • Верзија со филтер

Наместете го аспираторот и двата кунци како што е опишано во пасусот за местење на аспираторот во верзија за во вентилација. За да го составите кункот за филтрирање видете во упатството содржано во комплетот. Ако комплетот не е приложен, нарачајте го од продавачот како прибор. Филтрите мора да се стават на делот за влечење на воздухот што се наоѓа внатре во аспираторот. Мора да се центрираат со вртење под агол од 90 степени додека не се затвори бравата (слика 6).

## КОРИСТЕЊЕ И ОДРЖУВАЊЕ

• Се препорачува апаратот да се вклучува пред готвење. Се препорачува да се остави апаратот да работи 15 минути по готвењето за да може целосно да се отстранат пареата

и миризбата од него. Правилното функционирање на аспираторот зависи од редовноста на одржувањето, особено на филтерот со активен јаглен.

• **Филтерот за маснотии** е одговорен за задржување на масните честички кои лебдат во воздухот кои можат да го запушат апаратот зависно од користењето на истиот.

- За да се избегне опасност од пожар, максимум на секои два месеца, потребно е да се измијат филтрите за маснотии на рака, со користење на течни неабразивни детергенти или во машина за садови на ниски температури и на краток циклус.

- По неколку миѣња можно е менување на бојата. Ова не е причина за каква било рекламација за замена на апаратот.

• **Филтрите со активен јаглен** служат за прочистување на воздухот кој се испушта во просторијата со функција на ублажување на мирисот кој се произведува со готвењето.

- Филтрите со активен јаглен кои не се регенерираат треба да се менуваат максимум на секои 4 месеци. Густината на активен јаглен зависи од употребата на апаратот, од типот на готвење и на регуларноста со која се чисти филтерот за маснотии.

- Филтрите со регенериран активен јаглен треба да се мијат на рака со неабразивни неутрални детергенти или машина за миѣње садови на максимална температура од 65°C (циклусот за миѣње треба да биде комплетен без други садови). Отстранете го вишокот вода без да го оштетите филтерот, отстранете ги пластичните делови и исушете го душекето во релна 15 минути на температура од максимум 100°C. За да се задржи функцијата на јаглеродниот филтер оваа операција мора да се повторува на секои два месеца. Филтрите мора да се заменуваат максимум на три години или кога душекот е оштетен.

• **Пред да се монтираат филтрите за маснотии и филтрите со активен јаглен важно е тие да бидат добро исушени.**

• **Редовно чистете ги вентилаторот и другите површини на аспираторот со крпа навлажнета со денатуризиран алкохол или неабразивен течен детергент.**

• Светлото е наменето за користење за време на готвењето, но не и за подолго општо осветлување.

Подолгото користење на светлото значително го намалува векот на траење на сијалицата.

• Ако апаратот е опремен со **светло за простории** истото може да се користи за продолжена употреба како општо осветлување на просторијата.

• **Внимание:** не придржувањето кон упатствата за чистење на аспираторот и заменувањето и чистењето на филтрите можат да предизвикаат пожар. Затоа се препорачува да ги следите упатствата.

#### • **Менување на халогенките (слика 7):**

За да ги замените халогенките **B**, извадете го стаклото **C** користејќи лост во соодветните отвори. Заменете ги халогенките со нови од ист вид.

**Внимателно:** не допирајте ја "крушата" со голи раце.

#### • **Замена на LED лампи (слика 8):**

Ако вашиот апарат е верзија со **LED** лампи за замена на истите потребна е интервенција на техничар.

#### • **Замена на халогени сијалици (слика 9):**

Користете само светилки од ист тип со ист ват, и светилки инсталирани на уредот.

• **Команди (слика 10) механички** подолу се опишани симболите:

**A** = СВЕТЛО

**B** = ИСКЛУЧЕНО

**C** = БРЗИНА I

**D** = БРЗИНА II

**E** = БРЗИНА III.

• **Команди (слика 11) Светлечки** симболите се објаснети подолу:

**A** = СВЕТЛО

**B** = OFF

**C** = БРЗИНА I

**D** = БРЗИНА II

**E** = БРЗИНА III

**F** = ТАЈМЕР ЗА АВТОМАТСКО СОПИРАЊЕ - 15 минути (\*)

Ако вашиот уред е опремен со функција **ИНТЕНЗИВНА** брзина, почнувајќи од третата брзина и држејќи го притиснато копчето **E** 2 секунди, интензивната брзина ќе се активира за 10 минути, по што ќе се врати во претходната брзина.

Кога е активирана функцијата, LED лампата трепка.

За да ја прекинете брзината пред истекувањето на 10 минути повторно притиснете го копчето **E**.

Некои модели може исто така да ја активираат интензивната брзина и со првата и втората брзина.

Со држење на копчето **F** притиснато две секунди (кога аспираторот е исклучен), се вклучува функцијата "**чист воздух**". Оваа функција го вклучува апаратот по 10 минути на секој час при прва брзина. Штом ќе се активира оваа функција, моторот почнува да работи со прва брзина 10 минути. За тоа време копчињата **F** и **C** мора да трепкаат истовремено.

По 10 минути моторот се исклучува и сијаличката на копчето **F** останува запалена со постојано светење додека моторот не почне повторно да работи при прва брзина по 50 минути, и копчињата **F** и **C** повторно почнуваат да трепкаат заедно 10 минути, итн.

Ако притиснете кое било копче, освен копчето за светлото, аспираторот веднаш ќе се врати во вообичаената функција (на пр., доколку се притисне копчето **D**, функцијата "**чист воздух**" се исклучува и моторот веднаш преоѓа во работа при втора брзина. Доколку го притиснете копчето **B**, функцијата се исклучува).

(\*) Тајмерот за автоматско сопирање го одложува прекинувањето на работата на аспираторот, којшто ќе продолжи да работи 15 минути при брзината што била поставена во моментот на активирањето на оваа функција.

#### • **Замена на филтри за маснотии/активиран јаглен:**

-Кога копчето **A** трепка со фреквенција од **2 сек.** филтрите за маснотии треба да се мијат.

-Кога **A** копче трепка со фреквенција од **0,5 сек.** филтрите со активен јаглен мора да се заменат или да се измијат во зависност од видот на филтерот.

Откако ќе се стават чистите филтри мора да ја ресетирате електронска меморија со притискање на копче **A** за околу **5 секунди** додека не престане да трепка.

#### • **Команди (слика 12):**

**Копче A** = прекинувач за светлото.

**Копче B** = вклучување и исклучување на аспираторот. Апаратот се вклучува со брзина 1. Доколку аспираторот е вклучен, држете го копчето притиснато 2 секунди за да го исклучите. Доколку аспираторот е на брзина 1, копчето не мора да се држи притиснато за да се исклучи аспираторот. Ја намалува брзината на моторот.

**Екран C** = ја покажува одбраната брзина на моторот и го

активира тајмерот.

**Копче D** = вклучување на аспираторот. Ја зголемува брзината на моторот. Кога ќе го притиснете копчето при брзина 3, апаратот работи интензивно 10 секунди, а потоа се враќа на првобитната брзина. За тоа време екранот трепка.

**Копче E** = Тајмерот го вклучува аспираторот 15 минути, а потоа го исклучува. Тајмерот се исклучува со повторно притискање на копчето **E**. Кога Тајмерот е активен, на екранот мора да трепка децималната точка. Тајмерот не може да се вклучи доколку апаратот работи најинтензивно.

Функцијата **"clean air"** (чист воздух) се активира со држење на копчето **E** притиснато 2 секунди кога апаратот е исклучен. Со тоа моторот се вклучува по 10 минути на секој час при прва брзина. Додека е активна оваа функција, на екранот треба да биде прикажано вртење на периферните сегменти. Кога ќе измине времето, моторот се исклучува и на екранот треба да е прикажана неподвижно буквата **"C"** додека моторот не почне повторно да работи уште 10 минути по 50 минути, итн. Притиснете кое било копче освен копчињата за светло за да се вратите во нормално функционирање. Притискањето на копчето **E** ја исклучува функцијата.

**• Замена на филтри за маснотии/активиран јаглен:**

-Кога на екранот **Ц** трепка наизменично брзината на работа со буквата **Ф** (**Пр.1** и **Ф**) филтрите за маснотии треба да се измијат.

-Кога на екранот **Ц** трепка брзината на работа со буквата **A** (**Пр.1** и **A**) филтрите со активиран јаглен мора да се заменат или да се измијат во зависност од видот на филтерот.

Откако ќе се стават чистите филтри мора да ја ресетирате електронската меморија со притискање на копче **A** за околу **5** секунди додека не престане да трепка пораката со прикажани **Ф** или **A** на екранот **Ц**.

**• Механичка контрола (Фиг.13):** симболиката е како што следува:

**A** =копче за светлина / вклучено- исклучено

**B** = копче за исклучување / прва брзина "

**C** =втора брзина

**D** =трета брзина.

Ако аспираторот се исклучи во прва, втора или трета брзина кога ќе се вклучи тој почнува повторно да работи со истата оперативна брзина оставена за време на исклучувањето.

**ПРОИЗВОДИТЕЛОТ НЕ ПРИФАКА НИКАКВА  
ОДГОВОРНОСТ ЗА ЕВЕНТУАЛНИТЕ ОШТЕТУВАЊА  
ПРЕДИЗВИКАНИ СО НЕПОЧИТУВАЊЕ НА  
ГОРЕНАВЕДЕНИТЕ ПРЕДУПРЕДУВАЊА.**







**3LIK1023**