

# VEIL

**VEIL WH MATT A90** cod. 110.0324.952  
**VEIL WH A90** cod. 110.0324.953  
**VEIL BK A90** cod. 110.0324.954

# VEIL *Limited Edition*

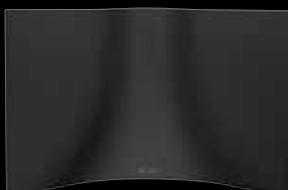
**VEIL CONCRETE** cod. 110.0393.869  
**VEIL TIBETAN SILVER** cod. 110.0393.872  
**VEIL SILVER LEAF** cod. 110.0393.837



(optional)



**White**  
 chimney finish: stainless steel



**Black**  
 chimney finish: stainless steel



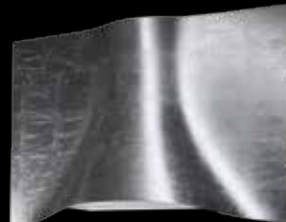
**Concrete**  
 chimney finish: white matt

*Limited Edition*



**Tibetan silver**  
 chimney finish: white matt

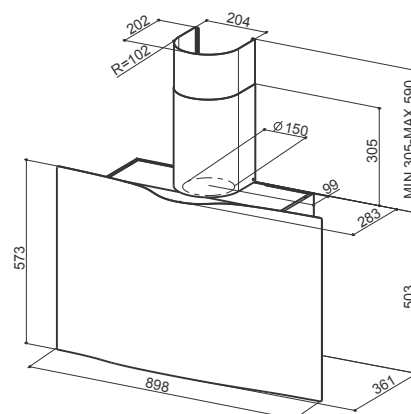
*Limited Edition*



**Silver leaf**  
 chimney finish: white matt

*Limited Edition*





| FEATURES   | PERFORMANCES        | ACCESSORIES                           |
|--|---------------------|---------------------------------------|
| <b>Finish</b>  | <b>Speed</b>        | <b>Cod. 112.0157.240</b>              |
| · White matt<br>· White<br>· Black matt<br>· Concrete<br>· Tibetan silver<br>· Silver leaf | 1 2 3 INT           | F8 Charcoal filter                    |
| <b>Controls</b>  | <b>Air capacity</b> | <b>Cod. 112.0327.007</b>              |
| Electronic   | <b>IEC point</b>    | ENERGY Remote blower kit              |
| <b>Lighting</b>  | <b>Pressure</b>     | <b>Cod. 112.0158.127</b>              |
| 2 LED lights   | <b>Input</b>        | FHP8 Charcoal filter High Performance |
| <b>Grease filter</b>   | <b>Noise level</b>  | <b>Cod. 112.0185.278</b>              |
| Cassettes dishwasher safe  | 56 60 65 69         | FLL8 Charcoal filter Long Lasting     |
| <b>Ø of air outlet</b>   |                     |                                       |
| 150 / 120 mm   |                     |                                       |
| <b>Width</b>   |                     |                                       |
| 900 mm   |                     |                                       |
| <b>Energy class</b>  |                     |                                       |
| A  |                     |                                       |