

**GB** **COOKER HOOD** - User instructions

**CZ** **ODSAVAČ PAR** - návod k použití

**DK** **EMHÆTTE** - Brugervejledning

**FIN** **LIESITUULETIN** – Käyttöohje

**GR** **ΑΠΟΡΡΟΦΗΤΗΡΑΣ ΣΕ ΕΚΔΟΣΗ ΑΠΟΡΡΟΦΗΣΗΣ** – Εγχειρίδιο χρήσης

**H** **ELSZÍVÓ KÜRTŐ** – Használati utasítás

**N** **AVTREKKSAPPE** – Bruksanvisning

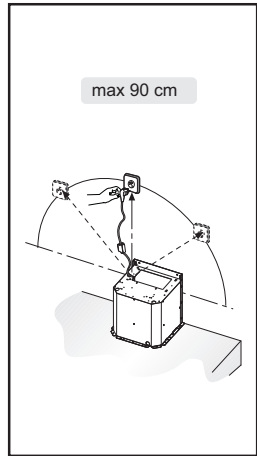
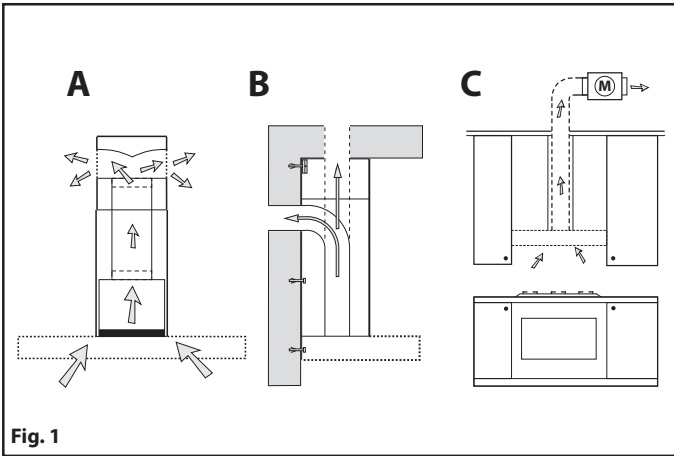
**PL** **OKAP ZASYSAJĄCY** - instrukcja obsługi

**R** **HOTĂ ASPIRANTĂ** – Manual de utilizare

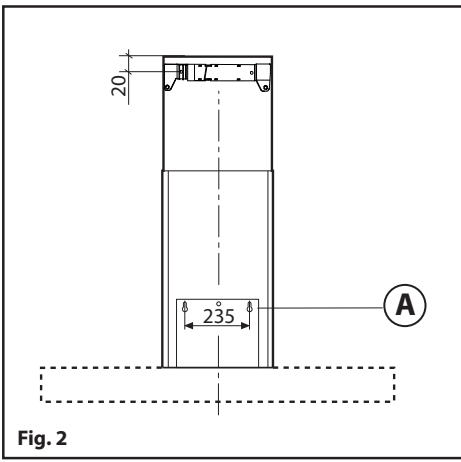
**RUS** **ВЫТЯЖНОЙ КОЛПАК** - Руководство пользователя

**S** **SPISKÅPA** – Bruksanvisning

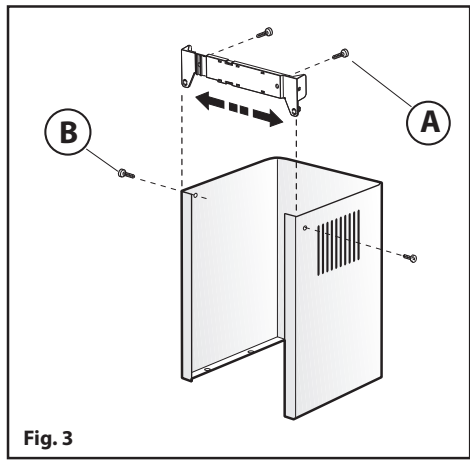




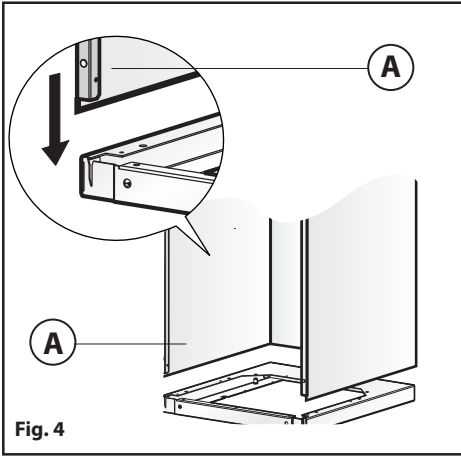
**Fig. 1**



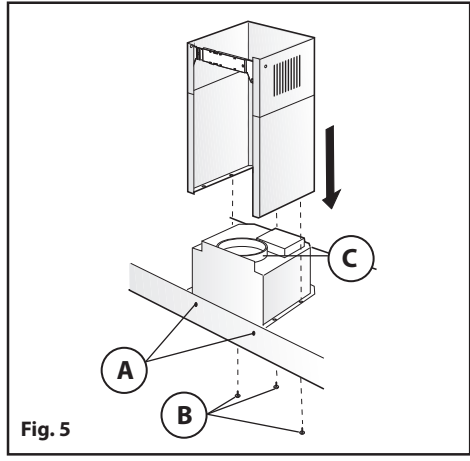
**Fig. 2**



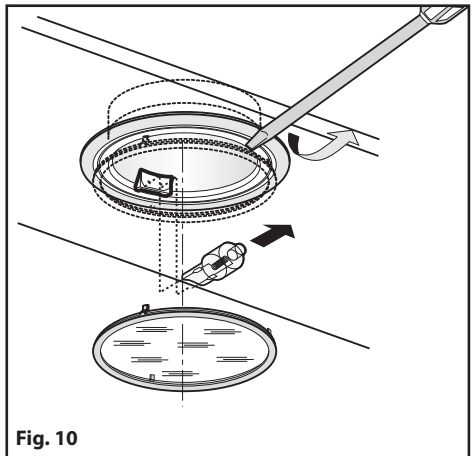
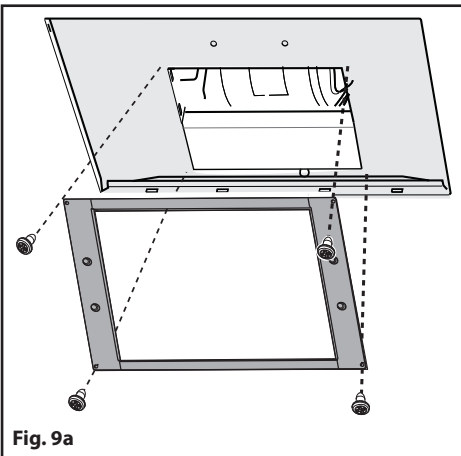
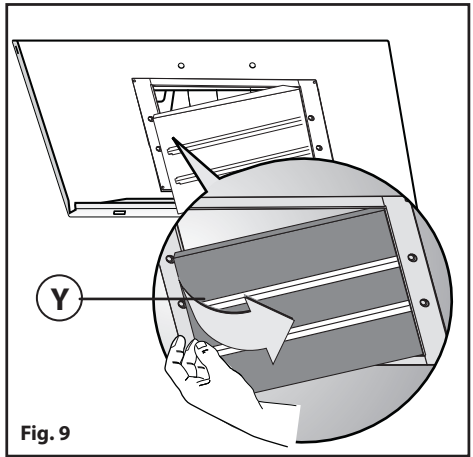
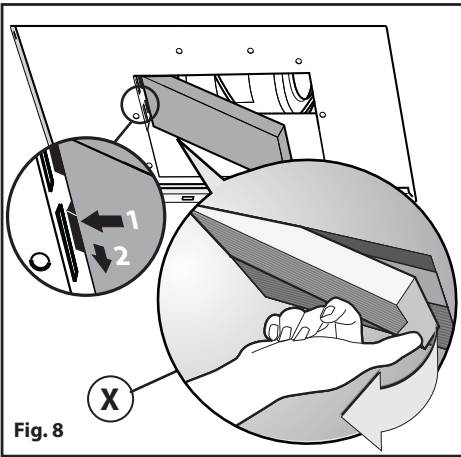
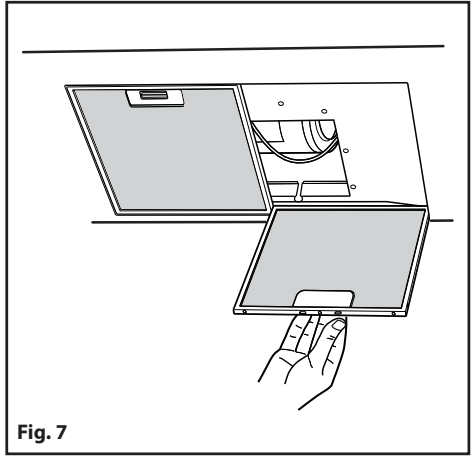
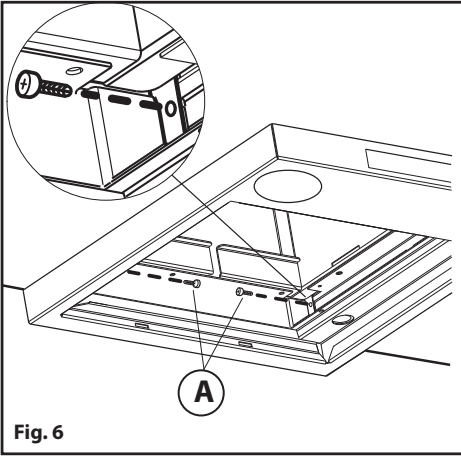
**Fig. 3**

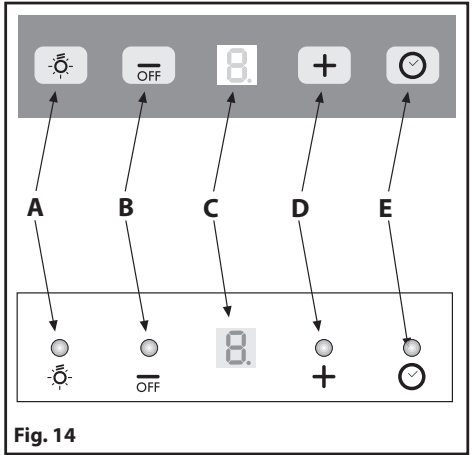
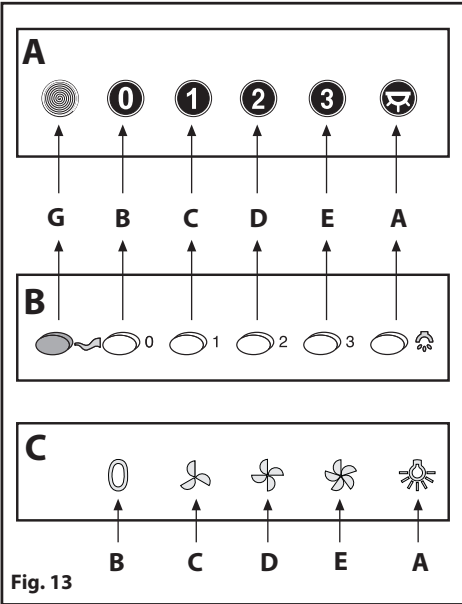
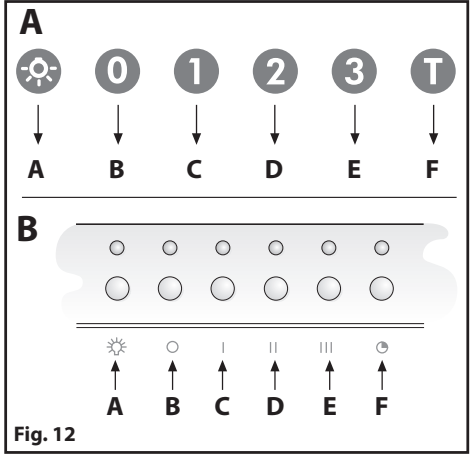
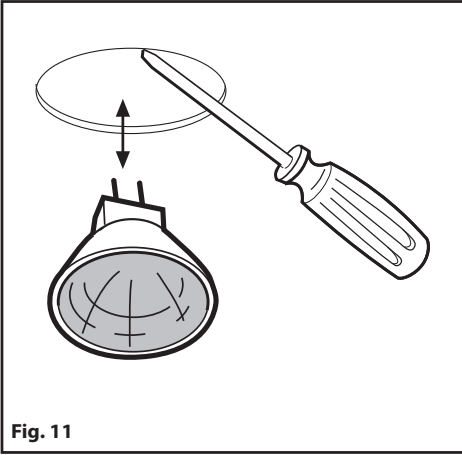


**Fig. 4**



**Fig. 5**





**GENERAL**

Carefully read the following important information regarding installation safety and maintenance. Keep this information booklet accessible for further consultations. The appliance has been designed for use in the ducting version (air exhaust to the outside – **Fig.1B**), filtering version (air circulation on the inside – **Fig.1A**) or with external motor (**Fig.1C**).

**SAFETY PRECAUTION**

1. Take care when the cooker hood is operating simultaneously with an open fireplace or burner that depend on the air in the environment and are supplied by other than electrical energy, as the cooker hood removes the air from the environment which a burner or fireplace need for combustion. The negative pressure in the environment must not exceed 4Pa (4x10<sup>-5</sup> bar). Provide adequate ventilation in the environment for a safe operation of the cooker hood. Follow the local laws applicable for external air evacuation.

Before connecting the model to the electricity network:

- Control the data plate (positioned inside the appliance) to ascertain that the voltage and power correspond to the network and the socket is suitable. If in doubt ask a qualified electrician.

- If the power supply cable is damaged, it must be replaced with another cable or a special assembly, which may be obtained direct from the manufacturer or from the Technical Assistance Centre.

- This device must be connected to the supply network through either a plug **fused 3A** or hardwired to a **2 phase** spur protected by **3A fuse**.

**2. Warning !**

**In certain circumstances electrical appliances may be a danger hazard.**

**A) Do not check the status of the filters while the cooker hood is operating**

**B) Do not touch bulbs or adjacent areas, during or straight after prolonged use of the lighting installation.**

**C) Flambè cooking is prohibited underneath the cooker hood**

**D) Avoid free flame, as it is damaging for the filters and a fire hazard**

**E) Constantly check food frying to avoid that the overheated oil may become a fire hazard**

**F) Disconnect the electrical plug prior to any maintenance.**

**G) This appliance is not intended for use by young children or infirm persons without supervision**


**H) Young children should be supervised to ensure they do not play with the appliance**

**I) There shall be adequate ventilation of the room when the rangehood is used at the same time as appliances burning gas or other fuels**

**L) There is a risk of fire if cleaning is not carried out in accordance with the instructions**

This appliance conforms to the European Directive EC/2002/96, Waste Electrical and Electronic Equipment (WEEE). By making sure that this appliance is disposed of in a suitable manner,

the user is helping to prevent potential damage to the environment or to public health.


The  symbol on the product or on the accompanying paperwork indicates that the appliance should not be treated as domestic waste, but should be delivered to a suitable electric and electronic appliance recycling collection point. Follow local guidelines when disposing of waste. For more information on the treatment, re-use and recycling of this product, please contact your local authority, domestic waste collection service or the shop where the appliance was purchased.


**INSTALLATION INSTRUCTIONS**

**Assembly and electrical connections must be carried out by specialised personnel.**

**• Electric Connection**

**Note: Verify the data label placed inside the appliance:**

- **If the symbol (  ) appears on the plate, it means that no earth connection must be made on the appliance, therefore follow the instructions concerning insulation class II.**

- **If the symbol (  ) DOES NOT appear on the plate, follow the instructions concerning insulation class I.**

**Insulation class II**

The appliance has been manufactured as a class II, therefore no earth cable is necessary.

The plug must be easily accessible after the installation of the appliance.

If the appliance is equipped with power cord without plug, a suitably dimensioned omnipolar switch with 3 mm minimum opening between contacts must be fitted between the appliance and the electricity supply in compliance with the load and current regulations.

The connection to the mains is carried out as follows:

BROWN = **L** line

BLUE = **N** neutral

**Insulation class I****Warning:**

This is a **class I**, appliance and must therefore be connected to an efficient earthing system.

The appliance must be connected to the electricity supply as follows:

BROWN = **L** live wire

BLUE = **N** neutral

YELLOW / GREEN =  earth

The neutral wire must be connected to the terminal with the **N** symbol while the **YELLOW / GREEN**, wire must be connected to the terminal by the earth symbol .

**Warning:**

When connecting the appliance to the electricity supply, make sure that the mains socket has an earth connection.

After fitting the ducted cooker hood, make sure that the electrical plug is in a position where it can be accessed easily.

If the appliance is connected directly to the electricity supply,

an omnipolar switch with a minimum contact opening of 3 mm must be placed in between the two; its size must be suitable for the load required and it must comply with current legislation.

• If the hob is electric, gas, or induction, the minimum distance between the same and the lower part of the hood must be at least **65 cm**.

If a connection tube composed of two parts is used, the upper part must be placed outside the lower part. Do not connect the cooker hood exhaust to the same conductor used to circulate hot air or for evacuating fumes from other appliances generated by other than an electrical source. Before proceeding with the assembly operations, remove the anti-grease filter(s) (**Fig.7**) so that the unit is easier to handle.

In the case of assembly of the appliance in the suction version prepare the hole for evacuation of the air.

#### • Fixing to the wall

- Drill the holes **A** respecting the distances indicated (**Fig.2**). - Fix the appliance to the wall and align it in horizontal position to the wall units.

- When the appliance has been adjusted, definitely fix the hood using the screws **A** (**Fig.5**).

- For the various installations use screws and screw anchors suited to the type of wall (e.g. reinforced concrete, plaster-board, etc.).

If the screws and screw anchors are provided with the product, check that they are suitable for the type of wall on which the hood is to be fixed.

#### • Fixing the decorative telescopic flue

- Arrange the electrical power supply within the dimensions of the decorative flue. If your appliance is to be installed in the ducting version or in the version with external motor, prepare the air exhaust opening.

- Adjust the width of the support bracket of the upper flue (**Fig.3**).

- Then fix it to the ceiling using the screws **A** (**Fig.3**) in such a way that it is in line with your hood and respecting the distance from the ceiling indicated in **Fig.2**.

- Connect the flange **C** to the air exhaust hole using a connection pipe (**Fig.5**).

- Insert the upper flue into the lower flue.

- Fix the lower flue to the hood using the screws **B** provided (**Fig.5**), extract the upper flue up to the bracket and fix it with the screws **B** (**Fig.3**).

- If your appliance has the lower connections indicated as in **Fig. 4A**, the fixing to be carried out is that shown in **Fig. 6A**. To transform the hood from a ducting version into a filtering version, ask your dealer for the charcoal filters and follow the installation instructions.

#### • Filter hood

##### Please note:

In order to transform the hood from **EXTRACTOR HOOD** into **FILTER HOOD** the carbon filters must be ordered at your distributor as accessory.

We have two different types of Kit, one with extractable carbon filters (**Fig.8**) and the other one with re-usable carbon filters (washable). (**Fig.9**)

- To replace the extractable active carbon filters **X**, pull lever outwards as shown in **Fig.8**

- To replace re-usable carbon filters **Y**, remove the brackets from their seat, pulling them outwards. (**Fig.9**)

If you find a bracket such as the one indicated in **Fig.9a** included in the product packaging, this should be fixed to the hood using the supplied screws.

## USE AND MAINTENANCE

• We recommend that the cooker hood is switched on before any food is cooked.

We also recommend that the appliance is left running for 15 minutes after the food is cooked, in order to thoroughly eliminate all contaminated air.

The effective performance of the cooker hood depends on constant maintenance; the anti-grease filter and the active carbon filter both require special attention.

• **The anti-grease filter** is used to trap any grease particles suspended in the air, therefore is subject to saturation (the time it takes for the filter to become saturated depends on the way in which the appliance is used).

- To prevent potential fire hazards, the anti-grease filters should be washed a minimum of every 2 months (it is possible to use the dishwasher for this task).

- After a few washes, the colour of the filters may change. This does not mean they have to be replaced.

If the replacement and washing instructions are not followed, the anti-grease filters may present a fire hazard.

• **The active carbon filters** are used to purify the air which is released back into the room.

The filters are not washable or re-usable and must be replaced at least once every four months.

The active carbon filter saturation level depends on the frequency with which the appliance is used, the type of cooking performed and the regularity with which the anti-grease filters are cleaned.

• Clean the cooker hood frequently, both inside and outside, using a cloth which has been dampened with denatured alcohol or neutral, **non**-abrasive liquid detergents.

• The light on the cooker hood is designed for use during cooking and not for general room illumination.

Extended use of the light reduces the average duration of the bulb.

#### • Replacing halogen light bulbs (**Fig. 10**).

To replace the halogen light bulbs **B**, remove the glass panel **C** using a lever action on the relevant cracks.

Replace the bulbs with new ones of the same type.

**Caution:** do not touch the light bulb with bare hands.

#### • Replacing halogen light bulbs (**Fig. 11**).

In order to replace the dichroic lamps, carefully remove the lamp from the lamp holder with the help of a small flat screwdriver or a similar tool. **PLEASE NOTE! In doing this operation, please take care not to scratch the hood.**

Replace the bulbs with new ones of the same type.

#### • Commands (**Fig.12**)

- **Luminous** (**Fig.12A**)

- **Electronic** (**Fig.12B**)

the key symbols are explained below:

**A** = LIGHT

**B** = OFF

**C** = SPEED I

**D** = SPEED II

**E** = SPEED III

**F** = AUTOMATIC STOP TIMER - 15 minutes (\*)

• If your appliance does not have the **INTENSIVE** speed function, press key **E** for two seconds and it will be activated for 10 minutes after which it will return to the previously set speed. When the function is active the LED flashes. To interrupt it before the 10 minutes have expired press key **E** again.

• By pressing key **F** for two seconds (with the hood switched off) the “**clean air**” function is activated. This function switches the appliance on for ten minutes every hour at the first speed. As soon as this function is activated the motor starts up at the first speed for ten minutes. During this time key **F** and key **C** must flash at the same time.

After ten minutes the motor switches off and the LED of key **F** remains switched on with a fixed light until the motor starts up again at the first speed after fifty minutes and keys **F** and **C** start to flash again for ten minutes and so on.

By pressing any key for the exclusion of the hood light the hood will return immediately to its normal functioning (e.g. if key **D** is pressed the “**clean air**” function is deactivated and the motor moves to the 2nd speed straight away. By pressing key **B** the function is deactivated).

(\*) The “**automatic stop timer**” delays stopping of the hood, which will continue functioning for 15 minutes at the operating speed set at the time this function is activated.

• **Active carbon/grease filter saturation:**

- When button **A** flashes at a frequency of **2 seconds**, the **grease** filters must be cleaned.

- When button **A** flashes at a frequency of **0.5 seconds**, the **carbon** filters must be replaced.

After the clean filter has been replaced, the electronic memory must be reset by pressing button **A** for approximately **5 seconds**, until the light on the button stops flashing.

• **Commands mechanical: (Fig.13 A-B-C)**

the key symbols are explained below:

**A** = LIGHT

**B** = OFF

**C** = SPEED I

**D** = SPEED II

**E** = SPEED III

**G** = MOTOR WORKING indicator

• **Commands: (Fig.14)**

**Push-button A** = on/off lights switch

**Push-button B** = on/off cooker hood switch. The appliance switches on at speed level 1. If the cooker hood is on depress the push-button for 2 sec. to switch off the cooker hood. If the cooker hood is at speed level 1 it will not be necessary to depress the push-button to switch the cooker hood off. Decreases the motor speed.

**Display C** = indicates the motor speed level selected and activates the timer.

**Push-button D** = switches on the cooker hood. Increases the motor speed. Touching the key at 3rd speed, the intensive function runs for 10; then the appliance go back to work at the original speed. During this function the display blinks.

**Key E** = The Timer times the functions on activation for 15 minutes, after which they are switched off. The Timer is deactivated by re-pressing **Key E**. When the Timer is activated the decimal point must flash on the display. The Timer cannot be activated if the intensive speed is functioning.

The “**clean air**” function is activated by pressing key **E** for 2 seconds when the appliance is switched off. This switches the motor on for 10 minutes every hour at the first speed. During

functioning a rotary movement of the peripheral segments must be visualised on the display. When this time has passed the motor switches off and the fixed letter “**C**” must be visualised on the display until the motor re-starts after 50 minutes for another 10 minutes and so on. Press any key apart from the light keys to return to normal functioning. Press key **E** to deactivate the function.

• **Active carbon/grease filter saturation:Fig.14**

- When display item **C** flashes, at a speed where it alternates with the letter **F** (e.g. 1 and **F**), the **grease** filters must be washed.

- When display item **C** flashes, at a speed where it alternates with the letter **A** (e.g. 1 and **A**), the **carbon** filters must be replaced.

After the clean filter has been positioned correctly, the electronic memory must be reset by pressing button **A** for approximately **5 seconds**, until the indication **F** or **A** shown on the display **C** stops flashing.

**THE MANUFACTURER DECLINES ALL RESPONSIBILITY FOR EVENTUAL DAMAGES CAUSED BY BREACHING THE ABOVE WARNINGS.**



## ÚVOD

Přečtěte si pozorně obsah návodu, protože poskytuje důležité informace týkající se bezpečné instalace, používání i údržby zařízení. Uchovejte si návod pro jakoukoliv budoucí potřebu. Příklad je určen k odsávání (odvádění vzduchu ven – **Obr.1B**), filtrování (recyklace vzduchu v místnosti – **Obr.1A**) nebo k použití s externě umístěným motorem (**Obr.1C**).

## BEZPEČNOSTNÍ OPATŘENÍ

1. Vyžaduje se opatrnost, jestliže jsou současně v činnosti odsáváč par a jiný hořák nebo tepelné zařízení závisející na vzduchu místnosti a napájené jinou energií než elektrickou, protože odsáváč par spotřebovává vzduch z okolí, který hořák nebo jiné tepelné zařízení potřebují ke spalování. Negativní tlak nesmí překročit 4Pa ( $4 \times 10^{-5}$  bar). K bezpečnému provozu je tedy nutná odpovídající ventilace místnosti. Při odvádění vzduchu do vnějšího prostředí je nutné se řídit platnými předpisy Vaší země.

Před napojením modelu na elektrickou síť:

- Zkontrolujte tabulku s údaji umístěnou uvnitř přístroje a ověřte si, že napětí a výkon odpovídají místní síti a rovněž zásuvka je vhodná.

V případě jakékoliv pochyby se poradte s kvalifikovaným elektrikářem.

- Je-li napájecí kabel poškozen, musí být nahrazen speciálním kabelem nebo sadou, které jsou k dispozici u výrobce nebo v jeho servisním středisku.

- Připojte zařízení k napájení prostřednictvím zástrčky s **pojistkou 3A** nebo ke dvěma vodičům **dvou fází**, chráněným **pojistkou 3A**.

## 2. UPOZORNĚNÍ!

**V některých situacích mohou být elektrická zařízení zdrojem nebezpečí.**

**A) Nekomtrolejte stav filtrů, zatímco je odsavač v činnosti.**

**B) Nedotýkejte se žárovek a přilehlých prostor během dlouhodobého použití osvětlení nebo bezprostředně po něm.**

**C) Je zakázáno připravovat jídla na plameni pod odsavačem.**

**D) Vyhnete se použití volných plamenů, protože poškozuji filtry a mohou způsobit požár.**

**E) Udržujte neustále pod kontrolou smažení jídel, aby se zabránilo vznícení rozpáleného oleje.**

**F) Před zahájením údržby odpojte zástrčku ze zásuvky elektrického rozvodu.**

**G) Zařízení není určeno pro použití dětmi nebo nesvéprávními osobami bez dozoru.**


**H) Dohlížejte na děti, abyste si byli jisti, že si nehrají se zařízením.**

**I) Když je odsavač používán současně se zařízeními spalujícími plyn nebo jiná paliva, místnost se musí vhodně větrat.**

**L) Když nebudou řádně provedeny úkony údržby, existuje riziko vzniku požáru.**

Toto zařízení je označeno v souladu s Evropskou směrnicí 2002/96/ES, Waste Electrical and Electronic Equipment (WEEE).

Tím, že se uživatel ujistí o správné likvidaci tohoto výrobku, přispívá k předcházení případným negativním následkům na životní prostředí a na zdraví.


Symbol  na výrobku nebo na přiložené dokumentaci poukazuje na to, že se s tímto výrobkem nesmí zacházet jako s běžným domovním odpadem, ale musí se odeslat do vhodné sběrné určené pro recyklaci elektrických a elektronických zařízení. Zařízení se musíte zbavit v souladu s místními předpisy pro likvidaci odpadu. Podrobnější informace o zacházení s tímto výrobkem, jeho opětovným použitím a recyklací můžete získat, když se obrátíte na příslušný místní úřad, sběrnou službu domovního odpadu nebo obchod, v kterém jste výrobek zakoupili.


## NÁVOD K INSTALACI

**Operace spojené s montáží a elektrická napojení musí být provedeny pouze odborným personálem.**

### • Elektrické zapojení:

**Poznámká! Zkontrolujte štítek umístěný uvnitř zařízení:**

- **Když se na štítku nachází symbol (  ), znamená to, že zařízení nesmí být uzemněno, postupujte tudíž podle pokynů týkajících se třídy izolace II.**

- **Když na štítku NENÍ uveden symbol (  ), postupujte dle pokynů týkajících se třídy izolace I.**

### Třída izolace II

Zařízení je vyrobeno v II. třídě, a proto žádný vodič nesmí být uzemněn.

Po instalaci zařízení musí být zástrčka snadno přístupná.

V případě, že je zařízení vybaveno kabelem bez zástrčky, je pro jeho připojení do elektrického rozvodu třeba mezi zařízení a elektrický rozvod zapojit omnipolární stykač s minimální vzdáleností kontaktů 3 mm, navržený pro příslušnou zátěž a odpovídající platným normám.

Napojení k elektrické síti musí být provedeno následovně:

HNĚDÁ = L vodič

MODRÁ = N neutrální vodič

### Třída izolace I


#### Upozornění:


Toto zařízení je vyrobeno ve **třídě I**, a proto musí být připojeno k uzemnění.

Připojení k elektrické síti musí být provedeno následovně:

HNĚDÝ = L fázový vodič

MODRÝ = N nulový vodič

ŽLUTO / ZELENÝ =  zemnicí vodič

Nulový vodič musí být připojen ke svorce označené symbolem **N**, zatímco **ŽLUTO/ZELENÝ** vodič musí být připojen ke svorce nacházející se v blízkosti symbolu uzemnění .

#### Upozornění:

Během operace elektrického zapojení se ujistěte, zda je elektrická zásuvka vybavena uzemněním.

Po skutečném montáži odsavače dávejte pozor, aby byla poloha zástrčky elektrického přívodu snadno dostupná.

V případě přímého zapojení k elektrické síti je třeba mezi zařízení a elektrickou síť zapojit omnipolární stykač s minimální vzdáleností kontaktů 3 mm, navržený pro příslušnou zátěž a odpovídající platným normám.

• Když je varná deska elektrická, plynová nebo indukční, minimální vzdálenost mezi ní a nejspodnější částí odsavače musí být nejméně **65cm**.

Vývod odsavače nesmí být napojen na vývod, ve kterém cirkuluje teplý vzduch, nebo který je používán k odvádění kouře ze zařízení napájených jinou energií než elektrickou. Před zahájením montáže vyjměte z odsavače tukový filtr (**Obr.7**). Uspadněte si tak manipulaci s přístrojem.

V případě montáže přístroje ve verzi odsavače je třeba připravit otvor k evakuaci vzduchu.

#### • Upevnění ke zdi

- Vyvrtat díry **A** podle uvedených kót (**Obr.2**).

- Odsavač upevněte ke zdi a vyrovnejte jej do horizontální polohy pomocí závěsů.

- Po vyrovnání odsavač definitivně upevněte prostřednictvím dvou šroubů **A** (**Obr.5**).

Pro různé montážní podmínky použijte příslušné typy šroubů a hmoždinek, které budou odpovídat typu zdiva (např. armovaný beton, sádkarton atd.).

Budou-li šrouby a hmoždinky dodány jako součást produktu, ujistěte se, zda odpovídají typu zdiva, na něž má být odsavač namontován.

#### • Montáž dekorativních teleskopických spojovacích prvků

- Elektrický přívod protáhněte pod krytem dekoračního spoje. Má-li být váš přístroj nainstalován ve verzi odsávání nebo v provedení s externě umístěným motorem, proveďte otvor pro odtah vzduchu.

- Nastavte šířku úchytné konzoly horního spoje (**Obr.3**).

- Následně ji upevněte ke stropu prostřednictvím šroubů **A** (obr.3) takovým způsobem, aby byla v ose s vaším odsavačem a dodržujte přitom vzdálenost od stropu, vyznačenou **Obr.2**.

- Propojit prostřednictvím spojovací roury přírubu **Cs** otvorem odtahu vzduchu (**Obr.5**).

- Vsadit horní spojovací prvek do spodního spojovacího prvku.

- Spodní spojovací prvek ke krytu, používající šrouby **B** ve výbavě (**Obr.5**), vysunout horní díl až ke třmenu a upevněte jej pomocí šroubů **B** (**Obr.3**).

- V případě, že má váš přístroj spoje nižší, jako na **Obr.4A**, připevnění je shodné s **Obr.6.A**.

- Budete-li chtít změnit funkci zařízení z odsavače na filtrační verzi, vyžádejte si u vašeho prodejce filtry s aktivním uhlíkem a sledujte montážní pokyny.

#### • Filtrační verze

##### Upozornění!

Pro provedení přeměny odsavače z **ODSÁVACÍ** verze na **FILTRAČNÍ** si objednejte u vašeho prodejce filtry s aktivním uhlím, které jsou součástí volitelného příslušenství.

Máme k dispozici dva odlišné druhy sad, jednu s kazetovými uhlíkovými filtry (**Obr.8**) a druhou s filtry s regeneračním uhlíkem (umývateľné). (**Obr.9**)

- Při výměně kazetových filtrů s aktivním uhlím **X** je třeba potáhnout směrem ven páku, a to způsobem naznačeným na **Obr. 8**

- Výměna regenerovatelných uhlíkových filtrů **Y** se provádí demontáží třmenů z jejich uložení po jejich potáhnutí směrem ven. (**Obr.9**)

- Když v balení najdete třmen jako ten, který je znázorněn na **obr.9a**, je třeba jej upevnit k odsavači prostřednictvím šroubů z příslušenství.

## POUŽITÍ A ÚDRŽBA

• Doporučujeme uvést zařízení do činnosti ještě před zahájením přípravy jakéhokoliv jídla. Doporučujeme ponechat zařízení v činnosti i po dobu 15 minut po ukončení přípravy jídla, aby byl kompletně odveden zapáchající vzduch.

Správná činnost odsavače je podmíněna správnou a nepřetržitou údržbou; zvláštní pozornost je třeba věnovat protitukovému filtru a filtru s aktivním uhlím.

• **Protitukový filtr** má za úkol zachycovat mastné částice nacházející se ve vzduchu, proto je v průběhu proměnné doby vystaven ucívání; tato doba závisí na používání zařízení.

- Aby se předešlo nebezpečí případného požáru, maximálně každé 2 měsíce je třeba umýt protitukové filtry; k tomuto účelu je možné použít i myčku nádobí.

- Po několika umytích může dojít ke změně barvy. Tato skutečnost neumožňuje podání reklamace za účelem jejich výměny.

V případě nedodržení pokynů pro výměnu a mytí protitukových filtrů se může vyskytnout riziko jejich zapálení.

• **Filtry s aktivním uhlím** slouží k čištění vzduchu, který se znovu vhná do okolního prostředí. Filtry se nesmí mýt ani regenerovat a musí se měnit maximálně každé čtyři měsíce. Nasycení aktivního uhlí závisí na krátkodobém nebo déletrvajícím používání zařízení, na druhu sporáku a pravidelnosti, se kterou se provádí vyčištění protitukového filtru.

• Opakovaně čistěte odsavač, zevnitř i zvenčí, s použitím hadru navlhčeného v denaturovaném lihu nebo **neabrazivních** tekutých čisticích prostředcích.

• Osvětlení je navrženo pro použití během vaření a ne pro dlouhodobější použití za účelem osvětlení okolního prostředí. Dlouhodobější použití osvětlení výrazně snižuje průměrnou životnost žárovek.

#### • Výměna halogenových žárovek (**Obr.10**).

Při výměně halogenových žárovek **B** sejměte sklíčko **C** po jeho nadzvednutí v místě příslušných otvorů. Žárovky nahradte novými žárovkami stejného druhu.

**Upozornění:** Nedotýkejte se žárovky holými rukama.

#### • Výměna halogenových žárovek (**Obr. 11**).

Při výměně dychroických žárovek odpojte žárovku tak, že ji opatrně uvolníte z objímky s pomocí malého plochého šroubováku nebo odpovídajícího nástroje. **UPOZORNĚNÍ!** **Během této operace dávejte pozor, abyste nepoškrábali odsavač.** Žárovky nahradte novými žárovkami stejného druhu.

#### • Ovládání (**Obr.12**)

- **Světelná** (**Obr.12A**)

- **Elektronika** (**Obr.12B**)

následuje přehled symbolů:

Tlačítko **A** – OSVĚTLENÍ

Tlačítko **B** – VYPNUTÍ

Tlačítko **C** – PRVNÍ RYCHLOST

Tlačítko **D** – DRUHÁ RYCHLOST

Tlačítko **E** – TŘETÍ RYCHLOST

Tlačítko **F** – ČASOVÝ SPÍNAČ AUTOMATICKÉ VYPNUTÍ 15 minut (\*)

Pokud je váš přístroj vybaven funkcí INTENZIVNÍ rychlost, je třeba stisknout po dobu aspoň 2 s tlačítko E a rychlost bude aktivována po deset minut a poté se vrátí do rychlosti, jež byla předem nastavena.

Pokud je funkce aktivní, led blíká. Chcete-li ji přerušit před vypršením 10 minut, stiskněte znovu klávesu E.

Po stisknutí tlačítka **F** po dobu **2 s** (kryt je vypnut) bude aktivována funkce „**clean air**“. Tato funkce zapne motor na deset minut každou hodinu na první rychlost. Jakmile bude tato funkce aktivována, motor bude uveden do chodu na první rychlost po dobu 10 s, během které budou blikat současně tlačítka **F** a **C**. Po uplynutí této doby se motor vypne a led tlačítka **F** zustane osvětlen až do doby, kdy po 50 minutách bude znovu motor uveden do chodu na první rychlost a led **F** a **C** znovu začnou blikat po 10 minut a tak dále. Po stisknutí jakéhokoliv tlačítka s výjimkou světla se kryt okamžitě vrátí do svého normálního fungování. (napr. pokud se stiskne tlačítko **D**, deaktivuje se funkce „**clean air**“ a motor začne pracovat na druhou rychlost, stisknutím tlačítka **B** se tato funkce deaktivuje.

(\*) Funkce „**ČASOVÝ SPÍNAČ AUTOMATICKÉ VYPNUTÍ**“ opožďuje vypnutí odsávače, který bude pokračovat ve funkci pracovní rychlostí, která byla nastavena v okamžiku zapnutí této funkce, 15 minut.

#### • **Nasycení protitukových filtrů/filtrů s aktivním uhlím:**

- Blikání tlačítka **A** frekvencí **2 sek.** poukazuje na potřebu umytí **protitukových** filtrů.

- Blikání tlačítka **A** frekvencí **0,5 sek.** poukazuje na potřebu výměny **uhlíkových** filtrů.

Po vložení čistého filtru je třeba vynulovat elektronickou paměť stisknutím tlačítka **A** na dobu přibližně **5 sek.**, dokud tlačítko nepřestane blikat.

#### • **Ovládání Mechanické: (Obr.13 A-B-C)**

Tlačítko A – OSVĚTLENÍ

Tlačítko B – VYPNUTÍ

Tlačítko C – PRVNÍ RYCHLOST

Tlačítko D – DRUHÁ RYCHLOST

Tlačítko E – TŘETÍ RYCHLOST

Tlačítko G - Wskažník

#### • **Ovládání (Obr. 14):**

**Tlačítko A** – rozsvítí/zhasne světla

**Tlačítko B** – zapne/vypne odsávač. Přístroj je uveden do chodu při první rychlosti. Je-li odsávač zapnutý, vypněte jej stisknutím tlačítka na 2 sek. Pokud se odsávač nachází ve fázi první rychlosti, není nezbytné dlouze stisknout tlačítko za účelem vypnutí. Snižuje se rychlost motoru.

**Displej C** – ukazuje zvolenou rychlost motoru a uvedení do chodu časového spínače

**Tlačítko D** – zapne odsávač. Zvyšuje rychlost motoru. Stiskne-li se tlačítko od třetí rychlosti, je nastavena intenzivní funkce na 10 vteřin, pak se přístroj vrátí do fáze pracovní rychlosti v okamžiku uvedení do chodu. Během této funkce displej bliká.

**Tlačítko E** = Časovač slouží k časovému ovládání funkcí v průběhu 15 minut po jeho aktivaci; po uplynutí uvedené doby se tyto funkce vypnou. Vypnutí časovače se provádí stisknutím tlačítka **E**. Aktivace funkce časovače musí být signalizována blikáním desetinné tečky na displeji. Je-li aktivována intenzivní rychlost, aktivace časovače není možná.

Stisknutím tlačítka **E** na 2 sekundy při vypnutém zařízení se aktivuje funkce „**clean air**“. V rámci této funkce se motor zapne každou hodinu na 10 minut a během této doby se bude otáčet první rychlostí. Během jeho činnosti bude na displeji zobrazen rotační pohyb obvodových segmentů. Po uplynutí uvedené doby dojde k vypnutí motoru a na displeji musí být zobrazeno písmeno „**C**“, aniž by blikalo, dokud nebude po uplynutí dalších 50 minut motor znovu spuštěn na 10

minut, a tak dále.

#### • **Nasycení protitukových filtrů/filtrů s aktivním uhlím: Obr.14**

- Když displej **C** bliká a střídavě zobrazuje provozní rychlost a písmeno **F** (např.1 a **F**), je třeba vyčistit **protitukové** filtry.

- Když displej **C** bliká a střídavě zobrazuje provozní rychlost a písmeno **A** (např.1 a **A**), je třeba vyměnit **uhlíkové** filtry.

Po vložení čistého filtru je třeba vynulovat elektronickou paměť stisknutím tlačítka **A** na dobu přibližně **5 sek.**, dokud signalizace **F** nebo **A** na displeji **C** nepřestane blikat.

#### **VÝROBCE ODMÍTÁ JAKOUKOLIV ZODPOVĚDNOST ZA ŠKODY ZPŮSOBENÉ NEDODRŽENÍM UVEDENÝCH UPOZORNĚNÍ.**

## GENERELLE OPLYSNINGER

Læs omhyggeligt indholdet af denne brugsanvisning, da den giver vigtige oplysninger vedrørende sikkerheden ved installation, brug og vedligeholdelse. Opbevar brugsanvisningen til senere brug. Apparatet er udarbejdet til at kunne fungere; udsugende (udledning af luft til eksterne omgivelser **Fig.1B**) filtrerende (intern cirkulation af luft **Fig.1A**) og med udvendig motor. (**Fig.1C**).

## OPLYSNINGER VEDRØRENDE SIKKERHED

1. Udvis forsigtighed hvis der samtidigt med emhætten er en varmekilde eller flamme i funktion, som er afhængig af luften i omgivelserne og forsynet med energi, der ikke er elektrisk, eftersom emhætten fjerner den luft fra omgivelserne, som flammen eller varmekilden har brug for til forbrænding. Det negative tryk i lokalet må ikke overstige 4 Pa (4x10<sup>-5</sup> bar). For størst mulig sikkerhed, sørg for en passende ventilation af rummet. Hvad angår udsugningen til eksterne omgivelser følg de gældende normer.

Før modellen tilsluttes el-nettet:

- Kontrollér informationsetiketten (placeret indeni apparatet), for at sikre, at spændingen og styrken er i overensstemmelse med el-nettet og at stikkontakterne er egnede. Hvis De er i tvivl, konsultér en kvalificeret elektriker.
- Hvis forsyningsledningen er beskadiget, skal den udskiftes med en ledning eller en særlig samling fra fabrikanten eller et autoriseret servicecenter.
- Tilslut forsyningsenheden ved hjælp af et stik med en **3A sikring** eller til de to **tofaseledninger**, som er beskyttet af en **3A sikring**.


### 2. Pas på!

I nogle situationer kan elektriske apparater udgøre en fare.

- A) Undgå at kontrollere filtrens tilstand mens emhætten er i funktion.
- B) Rør ikke ved pærer eller tilstødende områder under eller lige efter længerevarende brug af belysningsanlægget.
- C) Det er ikke tilladt at tilberede madvarer for åben ild under emhætten.
- D) Undgå åben ild, da det kan beskadige filtrene og medføre fare for brand.
- E) Hold altid øje med maden under friturestegning for at undgå, at olien antændes.
- F) Træk stikket ud af stikkontakten, inden der foretages vedligeholdelse.
- G) Apparatet må ikke bruges af børn eller af personer, der ikke har de mentale eller fysiske egenskaber til korrekt brug, uden overvågning.
- H) Hold øje med børnene for at sikre, at de ikke leger med apparatet.
- I) Når emhætten anvendes samtidigt med apparater, der bruger gas eller andre brændstoffer, skal rummet have tilstrækkelig udluftning.
- L) Hvis rengøring ikke udføres i overensstemmelse med anvisningerne, kan det medføre brandfare.

Dette apparat er udviklet i overensstemmelse med det

europæiske direktiv 2002/96/EF om affald af elektrisk og elektronisk udstyr (WEEE). Ved at sikre sig, at dette produkt bortskaffes på korrekt vis, bidrager brugeren til at forhindre eventuelle negative miljømæssige og sundhedsmæssige påvirkninger.


Symbolet  på produktet eller på dokumentationen, der følger med produktet, angiver, at produktet ikke skal behandles som husholdningsaffald, men at det skal bortskaffes på passende vis på genbrugsstationer til elektriske og elektroniske apparater. Apparatet skal bortskaffes i overensstemmelse med de gældende regler for bortskaffelse af affald. For yderligere oplysninger om håndtering, genvinding og genbrug af dette produkt, bedes man kontakte de lokale myndigheder, teknisk forvaltning eller forretningen, hvor produktet er købt.

## INSTRUKTION VED INSTALLERING

Monteringen og udførelsen af de elektriske forbindelser, skal udføres af specialiseret personale.

### Den elektriske forbindelse:

**Bemærk! Kontrollér typeskiltet inden i apparatet.**

- Hvis der på skiltet findes symbolet (  ), betyder det, at apparatet ikke skal jordes. Følg anvisningerne for isoleringsklasse II.

- Hvis der på skiltet IKKE vises symbolet (  ), skal man følge anvisningerne for isoleringsklasse I.

### Isoleringsklasse II

Apparatet er udarbejdet i klasse II, derfor skal der ikke tilsluttes et kabel til jordforbindelsen.

Man skal nemt kunne nå ind til stikket efter installation af apparatet.

Hvis apparatet er udstyret med ledning uden stik, skal man ved tilkobling til strømforsyningen sørge for, at der mellem apparatet og strømforsyningen er installeret en flerpolet afbryder med en åbning på minimum 3 mm mellem kontakterne, som passer til belastningen og overholder de gældende regler.

Tilslutning til el-nettet skal udføres som følgende:

BRUN = L Linje

BLÅ = N Neutral

### Isoleringsklasse I


#### Pas på:


Dette apparat er konstrueret i klasse I og skal derfor tilsluttes til et stik med jordforbindelse.

Tilslutningen til strømforsyningen skal udføres på følgende måde:

BRUN = L-linje

BLÅ = N-neutral

GUL / GRØN =  jord

Den neutrale ledning skal tilsluttes til klemrækken med symbolet **N** mens den **GUL/GRØNNE** skal tilsluttes til klemrækken ud for jordsymbolet .

#### Pas på:

Når den elektriske tilslutning udføres, skal man sikre sig, at strømstikket har jordforbindelse.

Efter monteringen af emhætten skal man sikre sig, at stikkontakten nemt kan nås.

## BRUG OG VEDLIGEHOLDELSE

Ved direkte tilslutning til strømforsyningen skal der mellem apparatet og strømforsyningsnettet monteres en flerpolet afbryder med en minimumsafstand mellem kontakterne på 3 mm, der kan klare belastningen og overholder de gældende regler.

• Hvis emhætten installeres over en elektrisk kogeplade, en gaskogeplade eller en induktionskogeplade, skal afstanden mellem kogepladen og den nederste del af emhætten være mindst **65 cm**.

Hvis der anvendes et forbindelsesrør bestående af to eller flere dele, skal den øverste del placeres udenpå den nederste. Tilslut ikke udledningen fra emhætten med et rør, hvori der cirkulere varm luft eller som anvendes til at udlede røg fra apparater, der ikke bruger elektrisk energi. Inden man begynder monteringen fjernes filtret (Fig.7) for at gøre håndteringen af apparatet lettere.

- I de tilfælde, hvor apparatet skal installeres i en udsugende version, forberedes åbningen til udledning af luft.

### • Fastspænding til væg

- Lav hullerne **A**, idet de anviste mål overholdes (Fig.2).

- Fastspænd apparatet til væggen og ret ind, til det flugter med ophænget.

- Når apparatet er i vater, spændes emhætten fast ved hjælp af de 2 skruer **A** (Fig.5).

Til forskellige typer montering anvendes skruer og rawlplugs, der passer til den bestemte type mur (f.eks. jernbeton, gips osv. ). Hvis skruer og rawlplugs følger med apparatet, bør man sikre sig, at de egner sig til væggen, hvor emhætten skal spændes fast.

### • Fastspænding Af De Sammenskydelige Pyntepaneller

- Indsæt El-tilslutningen i rillen på panelet.

- Hvis apparatet skal installeres som aftræksemhætte eller med udvendig motor, laves først hul til udsugning af luften.

- Regulér bredden på det øverste panels ophæng (Fig.3).

- Spænd herefter ophænget fast til loftet med skrueerne **A** (Fig.3), så det er i vinkel med emhætten, idet den anviste afstand til loftet i Fig.2 overholdes.

- Forbind flangen **C** til udsugningshullet ved hjælp af et tilslutningsrør (Fig.5).

- Indsæt det øverste panel i det nederste. Fastspænd det nederste panel til emhætten med de medfølgende skruer **B** (Fig.5), træk det øverste panel ud til ophænget og spænd det fast med skrueerne **B** (Fig.3).

- "Hvis Deres apparats nederste skinner sidder som vist i Fig. 4A, skal de fastgøres som angivet i Fig. 6A."

Skal emhætten laves om fra aftræk til filtrering, anskaffes kulfiltre hos forhandleren, hvorefter monteringsvejledningen følges.

### • Emhætte med filter

#### Vær opmærksom!

For at omdanne emhætten fra en emhætte med **UDSUGNING** til en emhætte med **FILTER** skal der bestilles kulfiltre som ekstraudstyr hos forhandleren.

Der findes to forskellige typer sæt - et med kassette-kulfiltre (Fig.8) og et med genbrugskulfiltre (vaskbare). (Fig.9)

- For at udskifte kassette-kulfiltrene **X** skal man trække grebet nedad, som vist i figuren. (Fig.8)

- For at udskifte genbrugskulfiltrene **Y** skal man tage beslagene ud af holderen ved at trække udad. (Fig.9)

- Hvis emballagen indeholder et beslag, som vist i Fig.9a, skal dette fastgøres til emhætten med de medfølgende skruer.

• Det anbefales, at apparatet sættes i funktion, inden man begynder tilberedningen af madvarer. Det anbefales, at lade emhætten køre i 15 minutter efter endt tilberedning, så al mados suges ud.

Korrekt funktion af emhætten afhænger af en korrekt og jævnlig vedligeholdelse. Man skal især være opmærksom med at udskifte fedtfilteret og det aktive kulfilter.

• **Fedtfilteret** har til opgave at tilbageholde de fedtpartikler, der findes i luften. Filteret vil derfor blive tilstoppet med tiden, alt efter hvor ofte emhætten anvendes.

- For at forebygge risikoen for brand skal man mindst hver 2 måned rengøre fedtfilterne; de kan vaskes op i opvaske-maskine.

- Efter at have rengjort filterne nogle gange, kan der opstå misfarvninger. Dette giver ikke ret til reklamation med henblik på udskiftning.

I tilfælde af manglende overholdelse af anvisningerne vedrørende udskiftning og rengøring, kan der opstå brandfare i fedtfilterne.

• **De aktive kulfiltre** har til opgave at rense den luft, der sendes tilbage i lokalet. Filtrene kan ikke vaskes eller genbruges og skal udskiftes mindst hver fjerde måned. Mætningen af det aktive kul afhænger af, hvor ofte emhætten er i brug, komfurets type og hvor ofte fedtfilteret rengøres.

• Emhætten skal rengøres jævnligt, både indvendigt og udvendigt, med en klud opvædet i denatureret alkohol eller et neutralt, **ikke** slibende rengøringsmiddel.

• Lyset er beregnet til brug under tilberedning af mad og ikke til generel oplysning af lokalet. Længerevarende brug af lyset vil reducere lyspærens gennemsnitlige levetid betydeligt.

### • Udskiftning af halogenpærer (Fig.10).

For at udskifte halogenpærerne **B** skal man fjerne glasset **C** ved at trykke på rillerne.

Udskift pærerne med pærer af samme type.

**Vær opmærksom:** rør ikke ved pæren med bare hænder.

### • Udskiftning af halogenpærer (Fig.11).

For udskiftning af halogenpærerne skal man løsne pæren forsigtigt fra fatningen ved hjælp af en lille flad skrueetrækker eller et lignende værktøj. **PAS PÅ! Pas på ikke at ridse emhætten.**

Udskift pærerne med pærer af samme type.

### • Betjening (Fig.12)

#### - Senhed (Fig.12A)

#### - Lysende elektroniske (Fig.12B)

er følgende tegnforklaring gældende:

**A** = tast for BELYSNING

**B** = tast for OFF

**C** = tast for FØRSTE HASTIGHED

**D** = tast for ANDEN HASTIGHED

**E** = tast for TREDJE HASTIGHED

**F** = tast for TIMER AUTOMATISK STOP 15 minutter (\*)

Hvis Deres anlæg er understyret med funktionen **INTENSIV** hastighed, skal knappen **E** holdes nedtrykket i 2 sekunder hvorved denne aktiveres i 10 minutter hvorefter den vender tilbage til den forudgående hastighed.

Når funktionen er aktiveret, lyser kontrollampen. For at afbryde for de 10 minutter er glet, tryk igen på tasten **E**

Ved at trykke på knappen **F** i 2 sekunder (ved slukket emhætte) aktiveres funktionen "**clean air**". Denne funktion tænder motoren i 10 minutter pr. time ved laveste hastighed. Så snart funktionen er igangsat starter motoren ved første hastighed

i 10 minutter, og under dette forløb skal lamperne ved knap **F** og knap **C** blinke samtidigt. Når tiden er glet standser motoren og kontrollampen ved knap **F** forbliver tændt uden at blinke indtil der er glet endnu 50 minutter, hvor motoren igen starter ved første hastighed, og lamperne ved **F** og **C** igen begynder at blinke samtidigt i 10 minutter, og så fremdeles. Ved at trykke på en hvilken som helst knap bortset fra lysknappen vender emhætten straks tilbage til den normale funktion (f.eks. hvis knappen **D** nedtrykkes bliver funktionen "clean air" afbrudt og motoren går straks i anden hastighed; ved at trykke knap **B** afbrydes funktionen).

(\*) Funktionen "timer automatisk stop" forsinker standsning af hætten, som vil fortsætte med at være tændt (i 15 minutter) med den driftshastighed, der var i kraft i det øjeblik funktionen blev tilsluttet.

#### • **Mætning af fedtfiltere / aktive kulfiltere:**

- Når tasten **A** blinker med **2 sek.** mellemrum, skal **fedtfilterene** rengøres.

- Når tasten **A** blinker med **0,5 sek.** mellemrum, skal **kulfilterene** udskiftes.

Når filteret er sat på plads igen, skal den elektroniske hukommelse nulstilles ved at holde tasten **A** nede i ca. **5 sek.** indtil den stopper med at blinke.

#### • **Betjeningsenhed mekaniske (Fig.13 A-B-C)**

er følgende tegnforklaring gældende:

**A** = tast for BELYSNING

**B** = tast for OFF

**C** = tast for FØRSTE HASTIGHED

**D** = tast for ANDEN HASTIGHED

**E** = tast for TREDJE HASTIGHED

**G** = Controlelampe der angiver at motoren er i funktion.

#### • **Betjeningsenhed: (Fig.14)**

**Tast A** = tænder/slukker lysene.

**Tast B** = tænder/slukker emhætten. Apparatet tændes på 1. hastighed. Hvis emhætten er tændt skal man trykke på tasten i 2 sek. for at slukke. Hvis emhætten er indstillet på 1. hastighed er det ikke nødvendigt at holde tasten trykket for at slukke. Sænker motorhastigheden.

**Display C** = viser den valgte motorhastighed og aktivering af timer'en.

**Tast D** = tænder emhætten. Øger motorhastigheden. Ved tryk på tasten fra 3. hastighed tændes den intensive funktion i 10 minutter, hvorefter apparatet vender tilbage til at fungere med den almindelige hastighed, der var indstillet det øjeblik, hvor den intensive funktion blev tændt. Under denne funktion blinker displayet.

**Tast E** = Når timeren aktiveres, indstiller den funktionerne til at fortsætte i 15 minutter, hvorefter de slukkes. Timeren slås fra ved at trykke på tasten **E**. Når funktionen Timer er tændt, blinker decimaltallet på displayet. Hvis funktionen til indstilling af hastighed er aktiveret, fungerer funktionen Timer ikke.

Hvis tasten **E** trykkes ned i 2 sekunder, når emhætten er slukket, aktiveres funktionen "clean air". Denne funktion tænder motoren i 10 minutter for hver time på første hastighedsstrin. Når funktionen er aktiveret, viser displayet en drejende bevægelse af de omgivende segmenter. Når tiden er gået, slukker motoren igen, og på displayet vises bogstavet "C"; indtil motoren igen efter 50 minutter aktiveres i 10 minutter og så videre.

#### • **Mætning af fedtfiltere / aktive kulfiltere: Fig.14**

- Når displayet **C** blinker, og ændrer blæserhastigheden, med bogstavet **F** (f.eks. 1 og **F**), skal fedtfilterene rengøres.

- Når displayet **C** blinker, og ændrer blæserhastigheden, med bogstavet **A** (f.eks. 1 og **A**), skal kulfilterene rengøres.

Når filteret er sat på plads igen, skal den elektroniske hukommelse nulstilles ved at holde tasten **A** nede i ca. **5 sek.** indtil bogstaverne **F** eller **A** stopper med at blinke på displayet **C**.

#### **FABRIKANTEN FRALÆGGER SIG ETHVERT ANSVAR FOR SKADER FORÅRSAGET AF MANGLENDE OVERHOLDELSE AF OVENSTÅENDE ADVARSLER**

## YLEISTÄ

Lue ohjekirja huolellisesti, sillä se sisältää tärkeitä tietoja laitteen turvallisuudesta asennuksesta, käytöstä ja huollosta. Säilytä ohjekirja tulevaa tarvetta varten. Laitte on suunniteltu toimimaan joko imevänä versiona (ilman poisto ulos - **kuva 1B**), suodattavana versiona (ilman kierrätys sisällä - **kuva 1A**) tai ulkoisella moottorilla toimivana versiona (**kuva 1C**).

## TURVAOHJEITA

1. Erityistä huomiota tulee kiinnittää siihen, ettei liesituuletin ole käytössä samanaikaisesti kuin tulipesä tai liesi, jotka ovat riippuvaisia huoneilmasta ja jotka käyttävät jotain muuta energianlähdettä kuin sähköä.

Liesituuletin poistaa huonetilasta ilmaa, jota tulipesä tai liesi tarvitsevat polttamiseen. Huonetilan negatiivinen ilmanpaine ei saa ylittää 4Pa (4x10<sup>-5</sup> bar). Huonetilat on siis tuuletettava asianmukaisesti tuulettimien toiminnan varmistamiseksi. Ulkoista poistoa koskien tulee noudattaa asianomaisessa maassa voimassaolevia määräyksiä.

Ennen kuin yhdistät mallin sähköverkkoon:

- huomioi sen tunnuskilvessä (löytyy laitteen sisäpuolelta) olevat tiedot tarkistaen että virran jännite ja voima vastaavat verkostoa, ja että pistorasia on sopiva. Jos olet epävarma ota yhteys pätevään sähkömieheen

- Jos liitäntäjohto on vahingoittunut, se on vaihdettava laitteen valmistajan tai tämän teknisen huoltohenkilöstön toimesta uuteen liitosjohtoon tai sitä vastaavaan.

- Liitä laite sähkönsyöttöön pistokkeella, jossa on **sulake (3 A)**, tai **kaksivaiheisen** järjestelmän kahteen johtoon, jotka on suojattu **sulakkeella (3 A)**.

## 2. Varoitus!

Tietyissä tilanteissa sähkölaitteet voivat aikaansaada vaaratilanteen.

**A) Älä tarkista suodattimien tilaa, kun liesituuletin on toiminnassa**

**B) Älä kosketa lampuihin tai niiden lähialueille valaistuslaitteiston käytön aikana tai välittömästi sen käytön jälkeen**

**C) On kielletty liekittävästä ruokia liesituuletin alla D) Vältä avotulta, koska ne vahingoittavat suodattimia ja voivat aiheuttaa tulipaloja**

**E) Tarkkaile jatkuvasti öljyssä paistettavia ruokia, jotta kiehuvaa öljyä ei syty tuleen**

**F) Irrota pistoke pistorasiasta ennen huollon suorittamista**

**Laitetta ei ole suunniteltu lasten tai vajaakykyisten käytettäväksi ilman valvontaa.**

**H) Valvo lapsia, jotta he eivät leiki laitteen kanssa**


**I) Kun liesituuletinta käytetään samanaikaisesti laitteiden kanssa, jotka polttavat kaasua tai muita polttoaineita, huolehdi tilojen riittävästä ilmanvaihdosta.**

**L) Jos puhdistustoimenpiteitä ei suoriteta ohjeiden mukaisesti, on olemassa tulipalovaara.**

Tämä laite on merkitty EU:n Waste Electrical and Electronic Equipment (WEEE) -direktiivin 2002/96/EC mukaisesti. Käyttäjä osallistuu mahdollisten terveydelle ja ympäristölle haitallisten seurausten ehkäisemiseen hävittäessään laitteen

asianmukaisella tavalla.


Laitteen pakkauksessa mukana oleviin asiakirjoihin

merkitty  -merkki osoittaa ettei kyseinen laite kuulu talousjätteisiin, vaan se on varta vasten toimitettava sähkö- ja elektroniikkalaiteromun keräyspisteeseen kierrätystä varten. Hävitä laite noudattamalla paikkakuntasi jätehuoltoa koskevia säädöksiä. Lisätietoja tämän laitteen keräyksestä, käsittelystä ja kierrätyksestä ota yhteys paikkakuntasi jätehuoltoon, talousjätteen keräyspisteeseen tai liikkeeseen josta laite on hankittu.

## ASENNUSOHJEET

**Asennus ja sähköliitäntä on suoritettava siihen pätevän erikoishenkilöstön toimesta.**

## • Sähköinen liitäntä

- Jos kilvessä on tunnus (  ), tämä tarkoittaa sitä, että laitetta ei tarvitse maadoittaa. Noudata siten eristysluokkaa II koskevia ohjeita.

- Jos kilvessä EI ole tunnusta (  ), noudata eristysluokkaa I koskevia ohjeita.

## Eristysluokka II

Laitte on rakennettu II-luokassa, eivätkä kaapelit sen vuoksi saa olla liitettynä maajohtoon.

Pistoke tulee olla helposti saavutettavissa laitteen asennuksen jälkeen.

Mikäli laite on varustettu johdolla ilman pistoketta, sen liittämiseksi sähköverkkoon tulee laitteen ja verkon väliin asentaa moninapainen virrankatkaisija, jossa kontaktien minimiväli on 3 mm ja joka on mitoitettu kuormituksen mukaan ja joka on voimassa olevien määräysten mukainen. Liitännät sähköverkkoon on tehtävä seuraavalla tavalla:

RUSKEA = L linja  
SININEN = N neutraali

## Eristysluokka I

## Varoitus:


Tämä laite on valmistettu **luokassa I**, ja se on siksi kytkettävä maadoitettuun pistokkeeseen.

Sähköverkkoon kytkeminen on suoritettava seuraavien ohjeiden mukaisesti:

RUSKEA = L linja

SININEN = N neutraali

KELTAINEN / VERDE =  maadoitus

Neutraali johto on kytkettävä **N**-symbolilla merkittyyn napaan ja **KELTAINEN/VIHREÄ** johto on liitettävä maadoitussymbolia lähellä olevaan napaan .

## Varoitus:

Sähköliitäntään yhteydessä on varmistettava että pistorasiassa maadoitettu pistoke.

Liesituuletin asennuksen jälkeen on varmistettava että sähköliitäntäpistoke on helposti saatavilla.

Suorassa liitännässä sähköverkkoon, on laitteen ja verkon väliin laitettava moninapainen virrankatkaisija, jossa kontaktien minimiväli on 3 mm ja joka on mitoitettu kuormituksen mukaan ja joka on voimassa olevien määräysten mukainen.

• Jos käytetään sähkö-, kaasu- tai induktiokiekkotasoa,

vähimmäisetäisyyden tason ja liesituulettimen alhaisimman osan välillä tulee olla vähintään **65 cm**.

Mikäli joudutaan käyttämään kaksi- tai useampiosaista liitosputkea, on ylempään osaan otettava alemman ulkopuolella. Poistoilmaa ei saa johtaa kuumailmahormiin tai hormiin, jota käytetään savun poistamiseen laitteista, jotka toimivat jollakin muulla energianlähteellä kuin sähköllä. Ennen kuin alat koota laitetta, irrota rasvasuodatin/-suodattimet (kuva6): näin laitetta on helpompi käsitellä.

Jos asennetaan imevä hellakupu on ensin tehtävä ilmanpoistoaukko.

#### • Kiinnittäminen seinään

- Poraa reiät **A** ilmoitettuja mittoja noudattaen (kuva 2).  
- Kiinnitä laite seinään ja aseta se vaakatasossa samaan linjaan kaappien kanssa.  
- Säädettyäsi kuvun oikeaan asentoon kiinnitä se paikalleen kahdella ruuvilla **A** (kuva5).

Käytä asennukseen sellaisia laajenevia ruuveja ja tappeja, jotka sopivat seinän tyyppiin (esimerkiksi teräsbetoni, kipsilevy tms.). Mikäli ruuvit ja tapit on toimitettu tuotteen mukana, varmista että ne soveltuvat siihen seinätyyppiin, johon kupu on tarkoitus kiinnittää.

#### • Koristeteleskooppiliitinten kiinnittäminen

- Varmista sähkövirran syöttö koristeliitinten tilaan.  
- Jos laitteesi asennetaan imevän tai ulkoista moottoria käyttävänä versiona, huolehdi, että sillä on ilmanpoistoaukko. - Säää ylempään liittimen kannattimen leveys sopivaksi (kuva 3).

- Kiinnitä se tämän jälkeen ruuveja **A** (kuva 3) käyttämällä kattoon niin, että se on tuulettimesi kanssa linjassa. Noudata kuvassa 2 osoitettua etäisyyttä katosta.

- Liitä liitosputken välityksellä laippa **C** ilmanpoistoaukkoon (kuva 5).

- Työnnä ylempi liitin alemman liittimen sisään.

- Kiinnitä alempi liitin kupuun käyttämällä laitteen mukana toimitettuja ruuveja **B** (kuva 5), vedä ylempää liitintä ulos kannattimeen asti ja kiinnitä se ruuveilla **B** (kuva 3).

- Jos laitteessa on alemmat liitokset, kuvassa 4A, kiinnittäminen suoritetaan kuten kuvassa 6A."

- Muuntaaksesi kuvun imevästä mallista suodattavaksi malliksi pyydä jälleenmyyjältämme aktiivihiihluodattimia ja seuraa asennusohjeita.

#### • Suodattava versio

##### Varoitus!

Jos halutaan muuttaa liesituuletin **IMEVÄSTÄ** versiota **SUODATTAVAKSI** versioiksi, tulee tilata lisävarusteena hiilisuodattimet jälleenmyyjältä.

Tarjolla on kaksi erityyppistä sarjaa: hiilikasetit (kuva 8) sekä uudelleen käytettävät (pestävät) hiilisuodattimet. (kuva 9)

- Aktiivihiihlikasettien **X** vaihtamiseksi tulee vetää ulospäin kahvasta kuten osoitettu **Kuvassa 8**

- Pestävien hiilisuodattimien **Y** vaihtamiseksi poista jalustat istukasta vetäen niitä ulospäin. (kuva 9)

- Jos löydät pakkauksesta jalustan kuten osoitettu **Kuvassa 9a**, tulee se kiinnittää liesituulettimeen toimitettujen ruuvien avulla.

## KÄYTTÖ JA HUOLTO

• Suositellaan käynnistämään laite ennen minkä tahansa ruuan kypsennyksen aloittamista. On suositeltavaa antaa

laitteen toimia vielä 15 minuuttia käytön jälkeen, jotta ruoanvalmistuksesta aiheutuneet käryt saadaan kokonaan pois huoneilasta.

Liesituulettimen hyvä toiminta riippuu oikeasta ja säännöllisestä huollosta; erityistä huomiota tulee kiinnittää rasvasuodattimeen ja aktiivihiihluodattimeen.

• **Rasvasuodattimen** tehtävänä on pidättää ilmassa leijuvat rasvahiukkaset ja siksi se on altis tukkeutumaan ajanjaksossa, jonka pituus vaihtelee laitteen käytön mukaan.

- Tulipalovaaran estämiseksi korkeintaan joka 2 kuukauden välein tulee pestä rasvasuodattimet, jotka voidaan pestä myös astianpesukoneessa.

- Muutaman pesukerran jälkeen voi tapahtua värimuutoksia. Tämä tosiasia ei anna oikeutta vaatia niiden vaihtamista.

Mikäli ei noudateta vaihtamista tai pesemistä koskevia ohjeita, rasvasuodattimien tulipalovaara lisääntyy.

• **Aktiivihiihluodattimia** käytetään puhdistamaan ilma, joka palautetaan huoneiltaan. Suodattimia ei voi pestä tai käyttää uudelleen ja ne tulee vaihtaa vähintään joka neljäs kuukausi. Aktiivihiihen kyllästyminen riippuu laitteen käyttöajan pituudesta, ruuanvalmistustavoista ja säännöllisyydestä, jolla suoritetaan rasvasuodattimen puhdistus.

• Puhdista liesituuletin säännöllisesti sekä sisältä että ulkoa käyttäen riepua, joka on kostutettu denaturoidulla alkoholilla tai nestemäisillä neutraaleilla **el**-hankaavilla pesuaineilla.

• Valaistuslaitteisto on suunniteltu käytettäväksi ruokien kypsennyksen aikana eikä pitkäaikaiseen ympäristön yleiseen valaisuun. Valaistuksen pitkäaikainen käyttö vähentää huomattavasti lamppujen keskimääräistä käyttöikää.

#### • Halogeenilamppujen vaihtaminen (Kuva 10).

Halogeenilamppujen **B** vaihtamiseksi ota pois lasi **C** käyttäen viputukena asianmukaisia aukkoja. Vaihda tilalle vastaavan tyyppiset lamput.

**Varoitus:** älä koske lamppuun paljain käsin

#### • Halogeenilamppujen vaihtaminen (Kuva 11).

Kaksiväristen lamppujen vaihtamiseksi irrota lamppu löystyttäen sitä varovasti lampunpidikkeestä käyttäen apuna pientä tyllipäpäistä ruuvitaltaa tai vastaavaa välinettä. **VAROITUS! Kun suoritat tätä toimenpidettä, varo naarmuttamasta liesituuletinta.**

Vaihda tilalle vastaavan tyyppiset lamput.

#### • Ohjaimet (kuva12)

- **Valolla varustetut (kuva12A)**

- **Elektroniset (kuva12B)**

**A** = Valaistuksen painike

**B** = OFF

**C** = ensimmäisen nopeuden painike

**D** = toisen nopeuden painike

**E** = kolmannen nopeuden painike

**F** = Automaattiajastin (15 min.) (\*)

Jos laitteesi on varustettu **INTENSIIVI** nopeudella, pidä painettuna n. 2 sekuntia näppäintä **E** jolloin se käynnistyy kymmeneksi minuutiksi, jonka jälkeen palaa ennalta käynnin ohjelmoitu nopeuteen. Kun toiminta on käynnissä valomerkki välkky. Jos haluat katkaista toiminnan ennenkuin 10 min. on kulunut painalla uudelleen näppäintä **E**.

Jos painallat näppäintä **F** n.2 sek. (tuulettimen ollessa pois päältä), käynnistät tominnon "clean air". "**Clean air**" käynnistää tuulettimen kymmeneksi minuutiksi tunnin väliajoin alimalla kierrosnopeudella.

Jos valitset tämän toimintamuodon laite käynnistyy kymmeneksi minuutiksi joiden aikana välkehtivät näppäinten **F** ja **C**.



n valomerkit. Kymmenen minuutin jakson päätyttyä moottori pysähtyy ja vain näppäimen **F** valomerkki jää päälle kunnes 50.nen minuutin kuluttua moottori käynnistyy uudelleen ja näppäimien **F** ja **C** valomerkit välkehtivät jne. Valitun minkä tahansa muun näppäimen – valaisinta lukuunottamatta – tuuletin palautuu heti normaaliin käyttöön (esim. jos painat näppäintä **D** ”clean air” poistuu käytöstä ja tuuletin pyörii kakkosnopeudella; painaltaen näppäintä **B** toiminta poistuu käytöstä).

(\*) ”**Automaattiajastin**” pysäyttää liesituulettimen 15 min. viiveellä. Tuuletin jatkaa toimintaansa lähtönopeudellaan 15 min ajan painikkeen painamisen jälkeen.

• **Rasva-/aktiivihiihisuodattimien täytyminen:**

- Kun näppäin **A** vilkkuu **2 sekunnin** välein, **rasvasuodattimet** tulee pestä.

- Kun näppäin **A** vilkkuu **0,5 sekunnin** välein, **aktiivihiihisuodattimet** tulee vaihtaa.

Kun puhdas suodatin on liitetty, tulee elektroninen muisti nollata painaen painiketta **A** noin **5 sekunnin** ajan, kunnes se lakkaa vilkkumasta.

• **Ohjaimet mekaaniset: (kuva 13 A-B-C)**

**A** = Valaistuksen painike

**B** = OFF

**C** = ensimmäisen nopeuden painike

**D** = toisen nopeuden painike

**E** = kolmannen nopeuden painike

**G** = Moottorin käynnistymisen merkivalo

• **Ohjaimet: (Kuva 14)**

**Näppäin A** = syyttää / sammuttaa valot

**Näppäin B** = käynnistää / sammuttaa kuvun. Laite käynnistyy ensimmäiselle nopeudelle.

Jos liesikupu on päällä paina näppäintä 2 sek. ajan ja sen toiminta lakkaa. Jos laite toimii ykkösnopeudella, näppäintä ei tarvitse pitää alas painettuna laitetta sammutettaessa. Laskee moottorin nopeutta.

**Näyttö C** = ilmoittaa valitun moottorin nopeuden ja ajastimen aktiivoinnin.

**Näppäin D** = käynnistää kuvun. Nostaa moottorin nopeutta. Painamalla näppäintä kolmannella nopeudella laite toimii täydellä teholla 10 sekunnin ajan, sen jälkeen laite alkaa toimia aktiividulla nopeudella. Tämän toiminnon ajan näytön valo vilkkuu.

**Näppäin E** = Ajastin ajastaa toiminnot käynnistämishetkellä 15 minuutin ajaksi. Sen jälkeen toiminnot sammuvat. Ajastin lakkaa toimimasta kun painat uudelleen näppäintä **E**. Kun ajastintoinnointo on päällä desimaalipisteen on välkyttävä näytöllä. Jos tehonopeustoinnointo on päällä ajastinta ei voida käynnistää.

Painamalla näppäintä **E** 2 sekunnin ajan, laitteen ollessa sammuksissa, ”**clean air**”-toiminto käynnistyy. Tämä toiminto käynnistää moottorin joka tunti, 10 minuutin ajaksi ykkösnopeudella. Toiminnan aikana näytön reunoilla tulee näkyä pyörivä liike. Tämän ajan kuluttua moottori sammuu ja näytöllä tulee näkyä ”**C**”-kirjain seuraavien 50 minuutin ajan kunnes moottori taas käynnistyy seuraaviksi 10 minuutiksi ja niin edelleen.

• **Rasva-/aktiivihiihisuodattimien täytyminen: Fig.14**

- Kun näyttö **C** vilkkuu ja siihen tulevat näkyviin vuorotellen toimintanopeus ja kirjain **F** (esim. 1 ja **F**), **rasvasuodattimet** tulee pestä.

- Kun näyttö **C** vilkkuu ja siihen tulevat näkyviin

vuorotellen toimintanopeus ja kirjain **A** (esim. 1 ja **A**), **aktiivihiihisuodattimet** tulee vaihtaa.

Kun puhdas suodatin on liitetty, tulee elektroninen muisti nollata painaen painiketta **A** noin **5 sekunnin** ajan, kunnes näytön **C** ilmoitus **F** tai **A** lakkaa vilkkumasta.

**LAITTEEN VALMISTAJA EI OLE VASTUUSSA VAHINGOISTA, JOTKA OVAT AIHEUTUNEET YLLÄMAINITTUJEN OHJEIDEN LAIMINLYÖNNISTÄ.**

## ΓΕΝΙΚΑ

Διαβάστε προσεκτικά το περιεχόμενο των οδηγιών, διότι παρέχει σημαντικές υποδείξεις που αφορούν την ασφάλεια της εγκατάστασης της χρήσης και της συντήρησης. Φυλάξτε το φυλλάδιο για ενδεχόμενες συμβουλές. Η συσκευή σχεδιάστηκε για χρήση σε έκδοση απορρόφησης (εκκένωση αέρα προς το εξωτερικό - **Εικ.1B**), διήθησης (ανακύκλωση αέρα στο εσωτερικό - **Εικ.1A**) ή με εξωτερικό κινητήρα (**Εικ.1C**).

## ΥΠΟΔΕΙΞΕΙΣ ΑΣΦΑΛΕΙΑΣ

1. Προσοχή σε περίπτωση που λειτουργούν ταυτόχρονα απορροφητήρας απορρόφησης και καυστήρας ή μια εστία που εξαρτώνται από τον αέρα του περιβάλλοντος και τροφοδοτούνται από ενέργεια όχι ηλεκτρική διότι ο απορροφητήρας απορροφώντας αφαιρεί από το περιβάλλον τον αέρα που έχουν ανάγκη για την καύση ο καυστήρας ή η εστία. Η αρνητική πίεση στο χώρο δεν πρέπει να ξεπερνά τα 4PA (4x10<sup>-5</sup>bar). Για σίγουρη ασφαλές λειτουργία του απορροφητήρα, οφείλεται να υπάρχει κατάλληλος αερισμός στο χώρο. Για την εξωτερική εκκένωση ακολούθησε τις ισχύοντες προδιαγραφές της χώρας.

Πριν συνδέσετε το μοντέλο στο ηλεκτρικό δίκτυο:


- Ελέγξτε την πινακίδα στοιχείων (που βρίσκεται στο εσωτερικό της συσκευής) για να βεβαιωθείτε ότι η τάση και η ισχύς της συσκευής αντιστοιχούν στο ηλεκτρικό σας δίκιο καθώς και για την καταλληλότητα του ηλεκτρικού βύσματος. Σε περίπτωση δυσκολιών επικοινωνήστε με έναν ειδικευμένο ηλεκτρολόγο
- Αν το καλώδιο τροφοδοσίας είναι χαλασμένο, πρέπει να αντικατασταθεί από ένα καλώδιο ή ένα ειδικό σύστημα, διαθέσιμο από τον κατασκευαστή ή την υπηρεσία του τεχνικής υποστήριξης.
- Συνδέστε τη διατάξη στην τροφοδοσία μέσω ενός βύσματος με ασφάλεια 3A ή στα δύο καλώδια του διφασικού προστατευόμενα από μια ασφάλεια 3A.

## 2. ΠΡΟΣΟΧΗ!

Σε ορισμένες περιπτώσεις οι ηλεκτρικές συσκευές μπορεί να αποτελούν κίνδυνο.

- A) Μην ελέγχετε την κατάσταση των φίλτρων όσο ο απορροφητήρας είναι σε λειτουργία.
- B) Μην αγγίζετε τις λυχνίες ή τις γειτονικές περιοχές κατά ή αμέσως μετά την παρατεταμένη χρήση της εγκατάστασης φωτισμού
- C) Απαγορεύεται να μαγειρεύετε τρόφιμα σε φλόγα κάτω από τον απορροφητήρα.
- D) Αποφεύγετε ελεύθερες φλόγες διότι προκαλούν ζημιά στα φίλτρα και μπορούν να προκαλέσουν πυρκαγιάς.
- E) Να διατηρείτε συνεχώς υπό έλεγχο το ηχητικό ματ των τροφίμων για να μη πάρετε φωτιά το καυτό λάδι.
- F) Αποσυνδέστε το βύσμα από την ηλεκτρική πρίζα πριν προχωρήσετε στη συντήρηση.
- G) Η συσκευή δεν προορίζεται για να χρησιμοποιείται από παιδιά ή άτομα ανάικα χωρίς επιτήρηση.
- H) Να επιτηρείτε τα παιδιά για να είστε βέβαιοι ότι δεν παίζουν με τη συσκευή.
- I) Όταν ο απορροφητήρας χρησιμοποιείται ταυτόχρονα με συσκευές που καίνε αέριο ή άλλα καύσιμα, ο χώρος πρέπει να αερίζεται δεόντως.
- L) Αν οι εργασίες καθαρισμού δεν εκτελούνται σύμφωνα με τις οδηγίες, υπάρχει κίνδυνος να προκληθεί πυρκαγιά.

Η συσκευή αυτή είναι χαρακτηρισμένη σύμφωνα με την Ευρωπαϊκή Οδηγία 2002/96/EC, Waste Electrical and Electronic Equipment (WEEE). Ο χρήστης με το να διαθέτει το προϊόν αυτό ως απόρριμμα με τον ενδεδειγμένο τρόπο συμβάλει στην αποφυγή αρνητικών συνεπειών για το περιβάλλον και την υγεία.



Το σύμβολο  στο προϊόν ή στην τεκμηρίωση που το συνοδεύει δείχνει ότι το προϊόν αυτό δεν πρέπει να αντιμετωπίζεται ως απόρριμμα οικιακό αλλά πρέπει να παραδίδεται σε κατάλληλα σημεία συλλογής για την ανακύκλωση ηλεκτρικών και ηλεκτρονικών συσκευών. Διαβάστε το ως απόρριμμα τηρώντας τους κατά τόπους κανονισμούς για τη διάθεση των απορριμμάτων. Για περαιτέρω πληροφορίες για τη μεταχείριση, την ανάκτηση και την ανακύκλωση του προϊόντος αυτού, επικοινωνήστε με το αρμόδιο τοπικό γραφείο, την υπηρεσία συλλογής οικιακών απορριμμάτων ή το κατάστημα από το οποίο αγοράσατε το προϊόν αυτό.

## ΟΔΗΓΙΕΣ ΕΓΚΑΤΑΣΤΑΣΗΣ

Οι διαδικασίες τοποθέτησης και ηλεκτρικής σύνδεσης πρέπει να γίνονται από ειδικευμένο προσωπικό.

## • Ηλεκτρική σύνδεση

Σημείωση! Ελέγξτε την πινακίδα δεδομένων που βρίσκεται στο εσωτερικό της συσκευής:

- Αν στην πινακίδα εμφανίζεται το σύμβολο (  ) σημαίνει ότι η συσκευή δεν πρέπει να συνδέεται σε γείωση, συνεπώς εκτελέστε τις οδηγίες που αφορούν την κατηγορία μόνωσης II.
- Αν στην πινακίδα ΔΕΝ εμφανίζεται το σύμβολο (  ) εκτελέστε τις οδηγίες που αφορούν στην κατηγορία μόνωσης I.

## Κατηγορία μόνωσης II

Η συσκευή ανήκει στο τύπο II, που σημαίνει πως κανένα καλώδιο δεν πρέπει να συνδεθεί με την γείωση.

Το βύσμα πρέπει να είναι εύκολα προσβάσιμο μετά την εγκατάσταση της συσκευής.

Στην περίπτωση που η συσκευή διαθέτει καλώδιο χωρίς βύσμα, για να το συνδέσετε στο ηλεκτρικό δίκτυο είναι αναγκαίο να μεσολαβεί μεταξύ της συσκευής και του ηλεκτρικού δικτύου ένας παντοπλικός διακόπτης με ελάχιστο άνοιγμα μεταξύ των επαφών 3 mm, επαρκής για το φορτίο και σύμφωνος με τους ισχύοντες κανονισμούς.

Η σύνδεση στο δίκτυο θα πρέπει να γίνει ως εξής:

ΚΑΦΕ: γραμμή L

ΜΠΛΕ: N ουδέτερη γραμμή

## Κατηγορία μόνωσης I

## ΠΡΟΣΟΧΗ:

Η συσκευή αυτή κατασκευάστηκε ως κατηγορία I, γι αυτό πρέπει να συνδέεται στη γείωση.


Η σύνδεση στο ηλεκτρικό δίκτυο πρέπει να διενεργείται ως ακολούθως:

ΚΑΦΕ = L γραμμή

ΜΠΛΕ = N ουδέτερο

ΚΙΤΡΙΝΟ / ΠΡΑΣΙΝΟ =  γείωση

Το ουδέτερο καλώδιο πρέπει να συνδέεται στον ακροδέκτη με το σύμβολο N ενώ το ΚΙΤΡΙΝΟ/ΠΡΑΣΙΝΟ καλώδιο, πρέπει να συνδέεται στον ακροδέκτη πλησίον

του συμβόλου της γείωσης. 

## ΠΡΟΣΟΧΗ:

Στη διαδικασία ηλεκτρικής σύνδεσης βεβαιωθείτε ότι η ηλεκτρική πρίζα διαθέτει σύνδεση γείωσης.

Μετά τη συναρμολόγηση του απορροφητήρα, προσέξτε ώστε η θέση της ηλεκτρικής πρίζας να είναι εύκολα προσβάσιμη.

Στην περίπτωση άμεσης σύνδεσης στο ηλεκτρικό δίκτυο είναι αναγκαίο να μεσολαβεί μεταξύ της συσκευής και του ηλεκτρικού δικτύου ένας πανοπλικός διακόπτης με ελάχιστο άνοιγμα μεταξύ των επαφών 3 mm, ικανό για το φορτίο και σύμφωνα με τους ισχύοντες κανονισμούς.

- Αν το πλαίσιο μαγειρέματος που χρησιμοποιείται είναι ηλεκτρικό, αερίου ή επαγωγής, η ελάχιστη απόσταση μεταξύ αυτού και του χαμηλότερου μέρους του απορροφητήρα πρέπει να είναι τουλάχιστον 65cm.

Σε περίπτωση που χρησιμοποιηθεί σωλήνας σύνδεσης το οποίο αποτελείται από δύο ή περισσότερα κομμάτια, θα πρέπει το πάνω μέρος να περαστεί πάνω από το κάτω μέρος. Σε καμία περίπτωση δεν πέπει ο σωλήνας απορρόφησης να συνδεθεί με σωλήνα, ο οποίος χρησιμοποιείται για εκκένωση καπνού συσκευών που τροφοδοτούνται από ενέργεια όχι ηλεκτρική.

Πριν προχωρήσετε στις διεργασίες συναρμολόγησης, για ευκολότερο χειρισμό της συσκευής αποσυνδέστε το φίλτρο/-α συγκράτησης λιπαρών ( ).

Στην περίπτωση συναρμολόγησης της συσκευής στην έκδοση για απορρόφηση τοποθετήστε την οπή εξαγωγής αέρα.

## • ΣΤΕΡΕΩΣΗ ΣΕ ΤΟΙΧΟ

- Ανοίξτε τις οπές **A** τηρώντας τις υποδεικνυόμενες αποστάσεις (**Εικ.2**).

- Στερεώστε τη συσκευή στον τοίχο και ευθυγραμμίστε τη σε οριζόντια θέση με τα ράφια.

- Με το πέρας της ρύθμισης στερεώστε τον απορροφητήρα οριστικά με τις 2 βίδες **A** (**Εικ.5**).

Για τις διάφορες συναρμολογήσεις χρησιμοποιήστε βίδες και ούπας διαστολής κατάλληλα για τον τύπο του τοίχου (π.χ. μετόν αρμέ, γύψο, κλπ). Στην περίπτωση που οι βίδες και τα ούπας σας παρέχονται με το προϊόν βεβαιωθείτε ότι είναι κατάλληλα για τον τύπο του τοίχου στον οποίο θα στερεωθεί ο απορροφητήρας.

## • ΣΤΕΡΕΩΣΗ ΤΩΝ ΔΙΑΚΟΣΜΗΤΙΚΩΝ ΤΗΛΕΣΚΟΠΙΚΩΝ ΡΑΚΟΡ

- Προτοιμάστε την ηλεκτρική τροφοδοσία εντός του όγκου του διακοσμητικού ρακόρ.

- Αν η συσκευή σας εγκατασταθεί σε έκδοση απορρόφησης ή σε έκδοση με εξωτερικό μοτέρ, προτοιμάστε την οπή εκκένωσης αέρα.

- Ρυθμίστε το πλάτος του επάνω βραχίονα στήριξης (**Εικ.3**).

- Ακολουθώντας στερεώστε τον στην οροφή έτσι που να είναι σε ευθεία με τον απορροφητήρα σας με τις βίδες **A** (**Εικ.3**) και τηρώντας την απόσταση από την οροφή που υποδεικνύεται στην **Εικ.2**.

- Συνδέστε, μέσω ενός σωλήνα ένα συνδετικό σωλήνα, τη φλάντζα **C** στην οπή εκκένωσης αέρα (**Εικ.5**).

- Εισάγετε το επάνω ρακόρ στο εσωτερικό του κάτω ρακόρ.

- Στερεώστε το κάτω ρακόρ στον απορροφητήρα χρησιμοποιώντας τις βίδες **B** που σας παρέχονται (**Εικ.5**), τραβήξτε το επάνω ρακόρ μέχρι τη ράβδο και στερεώστε το με τις βίδες **B** (**Εικ.3**).

- Σε περιπτώσεις που η συσκευή σας έχει τις κατωτέρες επαφές ενδεδειγμένες όπως στο **Εικ.4A**, το στερεώμα για να πραγματοποιηθεί είναι το απεικονισμένο στο **Εικ.6A**.

- Για να μετατρέψετε τον απορροφητήρα από έκδοση απορρόφησης σε έκδοση διήθησης, ζητήστε από τον

μεταπωλητή σας τα φίλτρα ενεργού άνθρακα και ακολουθήστε τις οδηγίες συναρμολόγησης.

## • ΕΚΔΟΣΗ ΦΙΛΤΡΑΡΙΣΜΑΤΟΣ

### Προσοχή!

Για να μετατρέψετε τον απορροφητήρα από έκδοση **ΑΠΟΡΡΟΦΗΣΗΣ** σε έκδοση **ΦΙΛΤΡΑΡΙΣΜΑΤΟΣ** τα φίλτρα άνθρακα πρέπει να παραγγείλονται στον μεταπωλητή σας ως αξεσουάρ.

Έχουμε διαθέσιμα διάφορα κιτ, ένα με φίλτρα άνθρακα συρταρωτά (**Εικ.8**) και το άλλο με τα φίλτρα άνθρακα αναγεννησίμα (μπορούν να πλένονται). (**Εικ.9**)

- Για την αντικατάσταση των φίλτρων ενεργού άνθρακα **X**, πρέπει να τραβήξετε προς τα έξω το μοχλό όπως φαίνεται στην **Εικ.8**

- Για την αντικατάσταση των αναγεννήσιμων φίλτρων άνθρακα **Y**, απομακρύνετε τα πλαίσια απο την έδρα, τραβώντας τα προς τα έξω. **Εικ.9**

- Αν στη συσκευασία βρείτε ένα πλαίσιο όπως εκείνο της **Εικ.9a** πρέπει να το στερεώσετε στον απορροφητήρα μέσω των βιδών που σας παρέχονται.

## ΧΡΗΣΗ ΚΑΙ ΣΥΝΤΗΡΗΣΗ

- Συνιστάται να θέτετε σε λειτουργία τη συσκευή πριν προχωρήσετε στο μαγείρεμα κάποιου τροφίμου. Συντήγεται να αφήνεται τη συσκευή να λειτουργεί για 15 λεπτά αφού τελειώσετε το μαγείρεμα των τροφίμων, για πλήρη εκκένωση του μολυσμένου αέρα.

Η καλή λειτουργία του απορροφητήρα εξαρτάται από τη σωστή και συνεχή συντήρηση. Ιδιαίτερη προσοχή πρέπει να δοθεί στο φίλτρο συγκράτησης λίπους και στο φίλτρο ενεργού άνθρακα.

- Το **φίλτρο συγκράτησης λίπους** έχει ως σκοπό τη συγκράτηση των λιπαρών σωματιδίων που αιωρούνται στον αέρα, συνεπώς υπόκειται σε έμφραξη σε χρονικά διαστήματα που ποικίλουν ανάλογα με τη χρήση της συσκευής.

- Για την πρόληψη του κινδύνου ενδεχόμενων πυρκαγιών, το πολύ κάθε 2 μήνες θα πρέπει να πλένετε τα φίλτρα συγκράτησης λίπους, για τα οποία μπορείτε να χρησιμοποιήσετε και το πλυντήριο πιάτων.

- Μετά από μερικά πλυσίματα μπορεί να διαπιστώσετε αλλοιώσεις στο χρώμα. Το γεγονός αυτό δεν συνεπάγεται δικαίωμα διαμαρτυρίας για την ενδεχόμενη αντικατάστασή τους.

Σε περίπτωση που δεν τηρηθούν οι οδηγίες αντικατάστασης και πλυσίματος μπορεί να υπάρξει κίνδυνος πυρκαγιών των φίλτρων συγκράτησης λίπους.

- Τα **φίλτρα ενεργού άνθρακα** χρησιμεύουν για να καθαρίζουν τον αέρα που διοχετεύεται στο περιβάλλον. Τα φίλτρα δεν πλένονται κι ούτε αναγεννιούνται και πρέπει να αντικαθίστανται κάθε τέσσερις μήνες το πολύ. Ο κορεσμός του ενεργού άνθρακα εξαρτάται από τη χρήση, περισσότερο ή λιγότερο παρατεταμένη, της συσκευής, από τον τύπο της κουζίνας και από τη συχνότητα καθαρισμού του φίλτρου συγκράτησης λίπους.

- Να καθαρίζετε συχνά τον απορροφητήρα, εσωτερικά και εξωτερικά, χρησιμοποιώντας ένα βρεγμένο πανί με μετριομενόμενο οινόπνευμα ή υγρά ουδέτερα απορρυπαντικά **μη** αποξυστικά.

- Η εγκατάσταση φωτισμού σχεδιάστηκε για να χρησιμοποιείται κατά το μαγείρεμα και όχι για γενικό παρατεταμένο φωτισμό του χώρου. Η παρατεταμένη χρήση του φωτισμού μειώνει σημαντικά τη μέση διάρκεια των λυχνιών.

#### • Αντικατάσταση των λυχνιών αλογόνου (Εικ.10).

Για την αντικατάσταση των λυχνιών αλογόνου **B** βγάλτε το γυαλάκι **C** κάνοντας αντίσταση στις σχετικές εσοχές.

Αντικαταστήστε με λυχνίες ίδιου τύπου.

**Προσοχή:** μην αγγίζετε τη λυχνία με γυμνά χέρια.

#### • Αντικατάσταση των λυχνιών αλογόνου (Εικ.11).

Για την αντικατάσταση των διχρωματικών λυχνιών, αποσυνδέστε τη λυχνία ξεσφίγγοντάς την από το ντουί με τη βοήθεια ενός μικρού ίσιου κατασαβιδιού ή παρόμοιου οργάνου. **ΠΡΟΣΟΧΗ! Κατά τη διεργασία αυτή, προσέξτε να μην γρατσουνίσετε τον απορροφητήρα.**

Αντικαταστήστε με λυχνίες ίδιου τύπου.

#### Εντολες: (Εικ.12)

- φωτεινοί (Εικ.12Α)

- ΗΛΕΚΤΡΟΝΙΚΗ (Εικ.12Β)

**A** = πλήκτρο ΦΩΤΙΣΜΟΥ

**B** = πλήκτρο ΟΦΘ ΤΑΧΥΤΗΤΑ

**C** = πλήκτρο ΠΡΩΤΗ ΤΑΧΥΤΗΤΑ

**D** = πλήκτρο ΔΕΥΤΕΡΗ ΤΑΧΥΤΗΤΑ

**E** = πλήκτρο ΤΡΙΤΗ ΤΑΧΥΤΗΤΑ

**F** = πλήκτρο ΤΙΜΕΡ ΑΥΤΟΜΑΤΟ ΣΤΑΜΑΤΗΜΑ 15 λεπτών

(\*)

Εάν η συσκευή σας διαθέτει την λειτουργία **ΕΝΤΟΝΗ** λειτουργία, κρατήστε πιεσμένο για 2 δευτερόλεπτα περίπου του πλήκτρου **E** και αυτή θα ενεργοποιηθεί. Για 10 λεπτά μετά θα επανέλθει στην ταχύτητα που είχε από πριν ρυθμιστεί.

Όταν η λειτουργία είναι ενεργή το LED αναβοσβήνει. Για να γίνει διακοπή της πριν από τα δέκα λεπτά πατήστε και πάλι το πλήκτρο **E**

Πιέζοντας το πλήκτρο **F** για 2 δευτερόλεπτα (με τον απορροφητήρα σβηστό) ενεργοποιείται η λειτουργία “**clean air**”. Αυτή η λειτουργία ανάβει τον κινητήρα για 10 λεπτά κάθε ώρα στην πρώτη ταχύτητα. Μόλις ενεργοποιηθεί η λειτουργία, ο κινητήρας ξεκινά με την 1η ταχύτητα για 10 λεπτά κατά τη διάρκεια των οποίων θα πρέπει να αναβοσβήνει το πλήκτρο **F** και το πλήκτρο **C**. Αφού περάσει αυτός ο χρόνος ο κινητήρας σβήνει και το φωτάκι του πλήκτρου **F** παραμένει αναμμένο σταθερό έως ότου μετά από άλλα 50 λεπτά ξαναξεκινά ο κινητήρας με την πρώτη ταχύτητα και τα φωτάκια **F** και **C** ξαναρχίζουν να αναβοσβήνουν για 10 λεπτά και έτσι συνεχίζει. Πιέζοντας οποιοδήποτε πλήκτρο εκτός των φώτων του απορροφητήρα επιστρέφει στην κανονική του λειτουργία αμέσως (π.χ. εάν πιέσω το πλήκτρο **D** απενεργοποιείται η λειτουργία “**clean air**” και ο κινητήρας πηγαίνει αμέσως στην 2η ταχύτητα, πιέζοντας το πλήκτρο **B** η λειτουργία απενεργοποιείται)

(\*) Η λειτουργία “**TIMER ΑΥΤΟΜΑΤΟ ΣΒΗΣΙΜΟ**” καθυστερεί το σταμάτημα του απορροφητήρα, που θα συνεχίσει να λειτουργεί στην τρέχουσα ταχύτητα κατά την ενεργοποίηση αυτής της λειτουργίας και για 15 λεπτά.

#### • Κορεσμός φίλτρων συγκράτησης λίπους/ενεργού άνθρακα:

- Όταν το κουμπί **A** αναβοσβήνει με συχνότητα 2 sec. τα φίλτρα **συγκράτησης λίπους** πρέπει να πλένονται.

- Όταν το κουμπί **A** αναβοσβήνει με συχνότητα 0,5 sec. τα φίλτρα **άνθρακα** πρέπει να αντικαθίστανται.

Αφού επανατοποθετηθεί το καθαρό φίλτρο θα πρέπει να κάνετε reset στην ηλεκτρονική μνήμη πιέζοντας το κουμπί **A** για περίπου 5 sec. μέχρι να σταματήσει να αναβοσβήνει.

#### • Εντολες Μηχανικοί : (Εικ.13 Α-Β-С)

**A** = πλήκτρο ΦΩΤΙΣΜΟΥ

**B** = πλήκτρο ΟΦΘ ΤΑΧΥΤΗΤΑ

**C** = πλήκτρο ΠΡΩΤΗ ΤΑΧΥΤΗΤΑ

**D** = πλήκτρο ΔΕΥΤΕΡΗ ΤΑΧΥΤΗΤΑ

**E** = πλήκτρο ΤΡΙΤΗ ΤΑΧΥΤΗΤΑ

**G** = ενδειξη ΚΙΝΗΤΗΡΑ ΣΕ ΛΕΙΤΟΥΡΓΕΙΑ

#### • Εντολες: (Εικ.14)

**Πλήκτρο A** = αναβει/σβήνει τα φωτα

**Πλήκτρο B** = αναβει/σβήνει τον απορροφητήρα. Η συσκευή αναβει στην 1<sup>η</sup> ταχύτητα. Εάν ο απορροφητήρας είναι αναμμένος πατήστε το πλήκτρο για 2 δευτ. για να σβήσει. Εάν ο απορροφητήρας βρίσκεται στην 1<sup>η</sup> ταχύτητα δεν είναι αναγκαίο να κρατάς πατημένο το πλήκτρο για να σβήσει. Ελαττώνει την ταχύτητα του κινητήρα.

**Display C** = δείχνει την ταχύτητα επιλογής του κινητήρα και την ενεργοποίηση του timer.

**Πλήκτρο D** = αναβει τον απορροφητήρα. Αυξάνει την ταχύτητα του κινητήρα. Πατώντας το πλήκτρο από την 3<sup>η</sup> ταχύτητα εισαγεται η εντατική λειτουργία για 10', μετά η συσκευή ξαναρχίζει να λειτουργεί στην ταχύτητα που λειτουργούσε την στιγμή της ενεργοποίησης. Κατά την διάρκεια αυτής της λειτουργίας το display αναβοσβήνει.

**Πλήκτρο E** = Το Timer ρυθμίζει χρονικά τις λειτουργίες, τη στιγμή της ενεργοποίησης, για 15 λεπτά μετά την απενεργοποίησή τους. Το Timer απενεργοποιείται ξαναπιέζοντας το κουμπί **E**. Όταν η λειτουργία Timer είναι ενεργή στην οθόνη πρέπει να αναβοσβήνει το δεκαδικό σημείο. Αν είναι σε λειτουργία η έντονη ταχύτητα, το Timer δεν μπορεί να ενεργοποιηθεί.

Πιέζοντας το κουμπί **E** για 2 δευτερόλεπτα, όταν η συσκευή είναι σβηστή, ενεργοποιείται η λειτουργία “**clean air**”. Αυτή ενεργοποιεί τον κινητήρα για 10 λεπτά κάθε ώρα στην πρώτη ταχύτητα. Κατά τη λειτουργία, η οθόνη πρέπει να απεικονίζει μια περιοριστική κίνηση των περιφερειακών τμημάτων. Με το πέρας του χρόνου αυτού ο κινητήρας σβήνει και η οθόνη πρέπει να απεικονίζει το γράμμα “**C**” σταθερά μέχρις ότου, μετά από άλλα 50 λεπτά, θα επανεκκινήσει ο κινητήρας για άλλα 10 λεπτά κ.ο.κ..

#### • Κορεσμός φίλτρων συγκράτησης λίπους/ενεργού άνθρακα: Εικ.14

- Όταν η οθόνη **C** αναβοσβήνει εναλλάσσοντας την ταχύτητα εργασίας με το γράμμα **F** (π.χ. 1 και **F**) τα φίλτρα **συγκράτησης λίπους** πρέπει να πλυθούν.

- Όταν η οθόνη **C** αναβοσβήνει εναλλάσσοντας την ταχύτητα εργασίας με το γράμμα **A** (π.χ. 1 και **A**) τα φίλτρα **ενεργού άνθρακα** πρέπει να αντικατασταθούν.

Αφού επανατοποθετηθεί το καθαρό φίλτρο, θα πρέπει να κάνετε reset στην ηλεκτρονική μνήμη πιέζοντας το κουμπί **A** για περίπου 5 sec μέχρι να σταματήσει να αναβοσβήνει η επισήμανση **F** ή **A** της οθόνης **C**.

**ΔΕΝ ΑΝΑΛΑΜΒΑΝΟΥΜΕ ΕΥΘΥΝΕΣ ΓΙΑ ΤΥΧΟΝ ΖΗΜΙΕΣ ΠΟΥ ΠΡΟΚΑΛΟΥΝΤΑΙ ΑΠΟ ΤΗΝ ΜΗ ΤΗΡΗΣΗ ΤΩΝ ΣΥΜΒΟΛΩΝ ΠΟΥ ΠΡΟΑΝΑΦΕΡΘΗΚΑΝ.**

## ÁLTALÁNOS TUDNIVALÓK

Kérjük, figyelmesen olvassa el útmutatónkat, mert fontos tudnivalókat tartalmaz a készülék felszerelésére, használatára és karbantartására vonatkozóan. Őrizze meg, mert a későbbiekben is szüksége lehet rá. A berendezést úgy tervezték, hogy elszívással (a levegőnek a szabadba történő kivezetésével – **1B ábra**), szűrővel (a levegő visszavezetésével – **1A ábra**), vagy külső motorral (**1C ábra**) is használható.

## BIZTONSÁGI FIGYELMEZTETÉSEK

1. Figyeljünk arra, hogyha nem villanással működő és ugyanannak a helyiségnek a légtérét használó elszívó, kályha vagy tűzhely működik egyszerre, akkor az elszívó esetleg kivonja a kályha vagy a tűzhely égéséhez szükséges levegőt. A helyiség negatív nyomása 4 PA-nál nem lehet nagyobb ( $4 \times 10^{-5}$  bar). A biztonságos működés érdekében gondoskodjunk a helyiség megfelelő levegőellátásáról. A szennyezett levegő külső térbe való elvezetések tartanak be az ide vonatkozó előírásokat.

Mielőtt bekötné a modellt az elektromos hálózatba:

- ellenőrizze a (a készülék belsejében található) műszaki adatokat tartalmazó táblát, és győződjön meg arról, hogy az elektromos hálózat feszültsége és teljesítménye megfelel-e a feltüntetett adatoknak, valamint, hogy a csatlakozó megfelelő-e. Amennyiben kétségei merülnek fel, forduljon szakképzett villanyszerelőhöz.
- Ha a tápkábel megsérült, ki kell cserélni egy másik kábelre, vagy a gyártónál vagy annak szervizközpontjában beszerezhető speciális egységre.
- **3A-s biztosítókkal** ellátott csatlakozódugóval kösse be a hálózatba az egységet, vagy csatlakoztassa **3A-s biztosítókkal** védett kétfázisú kábel két éréhez.


### 2. Figyelem!

**Bizonyos esetekben az elektromos készülékek veszélyt jelenthetnek.**

- A) Az elszívó működése közben ne ellenőrizze a szűrők állapotát.**
- B) A készülék világításának hosszan tartó használatá közben vagy közvetlenül azt követően ne érjen az izzókhoz vagy a mellettük lévő felületekhez.**
- C) Az elszívó alatt tilos nyílt lángon sütni.**
- D) Ne használjon nyílt lángot, mert az tönkretelheti a szűrőket és tüzet okozhat.**
- E) Tartsa folyamatosan szem előtt a sütést, nehogy a forró olaj meggyulladjon.**
- F) A karbantartási műveletek előtt húzza ki a konnektort a dugóból.**
- G) A készülék nem gyerekek vagy felügyelet nélkül hagyott, működtetésre alkalmatlan személyek általi használatra lett tervezve.**
- H) Vigyázzon a gyerekekre, hogy nehegy játsszanak a készülékekkel.**
- I) Amennyiben az elszívó gázzal vagy más éghető anyaggal működő készülékkel együtt használja, a helyiségnek megfelelő szellőzéssel kell rendelkeznie.**
- L) Amennyiben a tisztítási műveleteket nem az utasításoknak megfelelően végzi el, fennáll a veszélye annak, hogy a készülék kigyullad.**

A készülék megfelel az elektromos és elektronikus berendezések hulladékairól (WEEE) szóló 2002/96/EK európai uniós irányelvnek. Gondoskodjon a termék megfelelő kezeléséről, annak működésből történő kivonása után, a felhasználó hozzájárul a környezetre és az egészségre való káros hatások megelőzéséhez.

A terméken vagy a mellékelt dokumentáción feltüntetett

 jelölés azt jelzi, hogy a termék nem kezelhető háztartási hulladékként, hanem a megfelelő begyűjtő állomásra kell vinni az elektromos és elektronikus berendezések újrahasznosítása érdekében. Készülékétől a hulladékkezelésre vonatkozó helyi előírásoknak megfelelően váljon meg.



A termékkel kezelésével, összegyűjtésével és újrahasznosításával kapcsolatos további információkért forduljon a megfelelő helyi irodához, a háztartási hulladékok begyűjtő szolgálatához, vagy ahhoz az üzlethez, ahol a készüléket megvásárolta.

## FELSZERELÉSI UTASÍTÁSOK

**A beszerelést és az elektromos bekötést csak szakemberek végezhetik el.**

### • Elektromos bekötés

**Megjegyzés! Ellenőrizze a készülék belsejében elhelyezett adattáblát:**

- **Amennyiben az adattáblán fel van tüntetve a  szimbólum, akkor a készülék nem csatlakoztatható a földeléshez, ezért a II. szigetelési osztály előírásait kell betartani.**
- **Amennyiben az adattáblán NINCS feltüntetve a  szimbólum, az I. szigetelési osztály előírásait kell betartani.**

### II. szigetelési osztály

A termék kéteres kábelrel készült, vigyázzunk, hogy az egyik huzalt se kössük a földvezetékbe.

A dugónak a készülék felszerelését követően is könnyen megközelíthetőnek kell maradnia.

Abban az esetben, ha a készülék dugó nélküli tápkábelrel van ellátva, az elektromos hálózatba való bekötéshez a készülék és a hálózat közé be kell iktatni egy, a terhelésre szabott és az érvényes szabványnak megfelelő univerzális megszakítót, melynek érintkezői között legalább 3 mm távolságnak kell lennie.

A hálózatra való bekötésnél vegyük figyelembe a huzalok színét:

BARNA = L fázis

KÉK = N nullafázis

### I. szigetelési osztály

#### Figyelem!


A készülék I. osztályú, ezért földelt konnektorba kell csatlakoztatni.

Az elektromos hálózathoz történő csatlakoztatást az alábbiak szerint kell elvégezni:

BARNA = L fázis

KÉK = N nulla

SÁRGA / ZÖLD =  föld

A nulla vezetékkel kell összekötni az N jelzésű kapoccsal, míg a SÁRGA/ZÖLD vezetékkel a föld jelhez közeli kapocshoz kell kötni .

## Figyelem!

Az elektromos összeköttetés kivitelezésekor győződjön meg róla, hogy a dugós csatlakozó a földhöz van csatlakoztatva. Az elszívó kürtőjének felszerelése után, ügyeljen rá, hogy az elektromos kapcsoló könnyen hozzáférhető legyen. Abban az esetben, ha közvetlenül csatlakoztatja az elektromos hálózatra, a készülék és a hálózat közé be kell iktatni egy a terhelésre szabott és az érvényes szabványnak megfelelő univerzális megszakítót, melynek érintkezői között legalább 3 mm legyen a távolság.

• Elektromos, gáz- vagy indukciós főzőlap esetén az edénytartó főzőfelület és a konyhai elszívó legalja között a minimális távolságnak legalább **65 cm**-nek kell lennie. Ha két vagy több elvezető csövet kell összeszerelnünk, akkor az alsó csövet illesszük a felső belsejébe. Az elszívó csövet ne vezessük olyan kéménybe, amelyben meleg levegő áramlik, vagy amely nem villanvaly működő berendezés égéstermékét vezeti el. A szerelés megkönnyítéséhez az összeszerelés megkezdése előtt távolítsuk el a zsírszűrőt/zsírszűrőket (7. ábra). Amennyiben a készüléket konyhai szagelszívóként szereli fel, gondoskodjon kéménynyílásról.

### • Fali rögzítés

- A megjelölt magasságok betartásával készítsük el az **A** furatokat (**2. ábra**).

- Rögzítsük a berendezést a falra, az akasztókkal állítsuk vízszintbe.

- A beszábolyozást követően rögzítsük véglegesen a kürtőt a **2 A** jelű csavarral (**5. ábra**).

A felszereléshez a fal fajtájának (pl. vasbeton, gipszkarton, stb.) megfelelő csavarokat és szélesedő tipliket használjunk. Amennyiben a kürtővel együtt leszállításra kerülnek a csavarok és a tiplik is, ellenőrizzük, hogy azok megfelelnek-e a faltípusnak, ahova a kürtőt rögzíteni kell.

### • A teleszkopikus díszítőelemek rögzítése

- A díszítő elem által takart térben alakítsuk ki a tápfeszültség bekötését.

- Amennyiben a berendezést elszívóval, vagy külső motorral szerelik, gondoskodni kell a levegő elvezetéséhez szükséges nyílásról.

- Állítsuk be a felső elemet alátámasztó bilincsel szélességét (**3. ábra**).

- Az **A** csavarokkal (**3. ábra**) a mennyezettől való távolság (lásd **2. ábra**) tartásával rögzítsük a mennyezetre úgy, hogy a kürtő tengelyében legyen.

- Csatlakozó cső segítségével kössük be a légelvezető nyílás **C** peremét (**5. ábra**).

- A felső csatlakozó elemet illesszük bele az alsóba.

- A berendezéssel leszállított **B** csavarokkal (**5. ábra**) rögzítsük az alsó csatlakozó elemet a kürtőhöz, a felső csatlakozó elemet húzzuk ki a bilincsig, majd a **B** csavarokkal rögzítsük (**3. ábra**).

- Amennyiben az Önök készülékének alsó csatlakozásai olyanok, mint a **4.A ábrán** láthatók, akkor a **6.A ábrán** látható módon kell rögzíteni.

- Az elszívóval szerelt kürtő szűrőre való átalakításához a viszonteladótól meg kell rendelni az aktív szén szűrőket, és a szerelési útmutató szerint be kell azokat szerelni.

### • Szűrő mód

#### Figyelem!

Az elszívó **ELSZÍVÓ** módról **SZÜRŐ** módra való áttállításához a szénszűrőket kiegészítőként meg kell rendelni a viszonteladónál.

A rendelkezésre álló készüléktípustól függően két csomag választható, egy kazettás szénszűrős (**8. ábra**) és egy regenerálható (mosható) szénszűrős. (**9. ábra**)

- A kazettás aktív szénszűrők **X** kicseréléséhez az **8. ábra** ábra szerint ki kell húzni a fület.

- A regenerálható szénszűrők **Y** kicseréléséhez kifele húzza vegye ki a foglalatukból a kengyeleket. (**9. ábra**)

- Amennyiben a csomag tartalmaz egy, az alábbi ábrák egyikén (**9a. ábra**) jelzett kengyelt, a mellékelt csavarok segítségével rögzíteni kell az elszívóhoz.

## HASZNÁLAT ÉS KARBANTARTÁS

• Mielőtt bármilyen étel főzésébe belekezdene, tanácsos bekapcsolni a készüléket. A szennyezett levegő teljes kiszellőztetése érdekében a főzés végét követően ajánlatos még 15 percig bekapcsolva hagyni az elszívót.

Az elszívó tökéletes működtetése megfelelő és folyamatos karbantartást igényel. Különös figyelmet kell fordítani a zsír- és az aktív szénszűrőre.

• **A zsírszűrő** megköti a levegőben lévő zsírszemcséket, melyek a használatból függően idővel eltömítik a készüléket.

- A készülék esetleges kigyulladásának elkerülése érdekében legfeljebb 2 havonta le kell mosni a zsírszűrőket – akár mosogatógépben is.

- A panelek színe többszöri mosás után megváltozhat. Ez nem jogosít fel a termék esetleges visszacserelésére.

A szűrőcserére és -tisztításra vonatkozó utasítások be nem tartása akár a zsírszűrő kigyulladását is eredményezheti.

• **Az aktív szénszűrők** arra szolgálnak, hogy a környezetbe visszaforgatott levegőt megtisztítsák. A szűrők nem moshatók és nem regenerálhatók, és legalább négyhavonta ki kell cserélni őket. Az aktív szén telítődése a készülék használatának gyakoriságától, az ételen fajtájától és a zsírszűrő tisztításának gyakoriságától függ.

• Denaturált szeszszel vagy **nem** sűrölő hatású folyékony mosószerrel átitatott vizes ruhával tisztítsa meg gyakran az elszívó külsejét és belsejét.

• A világítóberendezést főzés közbeni használatra tervezték, és nem a konyha általános, huzamos idejű megvilágítására. A huzamos idejű használat lényegesen lecsökkenti az égők átlag élettartamát.

### • A halogénizzók cseréje (10. ábra).

A **B** halogénizzók cseréjéhez a megfelelő réseken keresztül megemelve vegye le a **C** üvegburát. Cserélje ki az izzókat azonos típusúakra!

**Figyelem!** Ne fogja meg a lámpát csupasz kézzel!

### • A halogénizzók cseréje (11. ábra).

A dikroikus izzók kicseréléséhez az izzófoglalatból egy kis laposfejú csavarhúzó vagy hasonló tárgy segítségével óvatosan vegye ki az izzót. **FIGYELEM! Ennél a műveletnél ügyeljen arra, hogy ne karcolja meg az elszívót.** Cserélje ki az izzókat azonos típusúakra!

### • Vezérlés:(12. ábra)

- **Fényvezérlés (12A. ábra)**

- **Elektronikus (12B. ábra)**

**A** = VILÁGÍTÁS

**B** = OFF

**C** = ELSŐ SEBESSÉG

**D** = MÁSODIK SEBESSÉG

**E** = HARMADIK SEBESSÉG

## F = LEÁLLÍTÁS AUTOMATIKUS KÉSLELTETÉSE 15 perccel (\*)

• Amennyiben az Önök készüléke rendelkezik **INTENZÍV** sebesség funkcióval, tartsák körülbelül 2 másodpercig nyomva az **E** gombot. Ekkor 10 percre működésbe lép ez a funkció, majd visszaáll az eredetileg beállított sebességre. Amikor a funkció működik a LED villog. Amennyiben 10 percnél előbb meg óhajtja szakítani, nyomja meg ismételten az **E** gombot.

Ha 2 másodpercig nyomva tartja (kikapcsolt szagelszívó mellett) az **F** gombot, működésbe lép a **“clean air”** funkció. Ez a funkció óránként 10 percre bekapcsolja a motort egyes sebességen. Amint működésbe hozta a funkciót, 10 percre beindul a motor egyes sebességen. Ez alatt az idő alatt az **F** és a **C** gomb együtt villog. 10 perc elteltével a motor kikapcsolódik, és az **F** gomb ledje folyamatos fénylég. 50 perccel később a motor ismételten be fog indulni az egyes sebességen és az **F** és **C** ledék ismételten villogni fognak 10 percig, stb. Amennyiben bármelyik gombot megnyomja (a világítás kivételével) a szagelszívó ismét visszatér normális működéséhez (pl. ha megnyomja a **D** gombot, kiiktatja a **“clean air”** funkciót és a motor nyomban kettes sebességen kezd működni; amennyiben megnyomja a **B** gombot kiiktatja ezt a funkciót)

(\*) A **“Leállítási automatikus késleltetése”** megakadályozza az elsővillogó kikapcsolását és a búra a funkció bekapcsolásakor folyamatban levő üzemi sebességen fog működni még 15 perccel.

### • A zsírszűrők/aktív szénzsűrők telítődése:

- Amennyiben az **A** gomb **két másodpercenként** villog, a **zsírszűrőket** le kell mosni.

- Amennyiben az **A** gomb **fél másodpercenként** villog, a **szénzsűrőket** le kell cserélni.

Miután visszahelyezte a tiszta szűrőt, az elektromos memória nullázásához nagyjából **öt másodpercre** tartsa lenyomva az **A** gombot, míg az villogni nem kezd!

### • Vezérlés Mechanikus: (ábra 13 A-B-C)

**A** = VILÁGÍTÁS

**B** = OFF

**C** = ELSŐ SEBESSÉG

**D** = MÁSODIK SEBESSÉG

**E** = HARMADIK SEBESSÉG

**G** = fényjel MOTOR BEKAPCSOLVA

### • Vezérlés: (14.ábra)

**A billentyű** = Be- illetve kikapcsolja a világítást.

**B billentyű** = Be- illetve kikapcsolja a páraelszívót. A készülék az 1. sebességnél kapcsol be. Ha az elsővillogó be van kapcsolva, a kikapcsoláshoz 2 másodpercig tartsa lenyomva a billentyűt. Ha az elsővillogó az első sebességre van állítva, nem szükséges a kikapcsoláshoz lenyomva tartani a billentyűt. Csökkenti a motor sebességét.

**C kijelző** = a motor kiválasztott sebességét valamint az időrelé bekapcsolását jelzi.

**D billentyű** = bekapcsolja az elsővillogót. Növeli a motor sebességét. Ha a billentyűt a 3. sebességben nyomja meg, 10 percre bekapcsol az intenzív funkció, ezután a készülék visszatér a funkció kiválasztását megelőző üzemi sebességre. A funkció működése alatt a display villog.

**E billentyű** = A Timer, az aktiválás pillanatában, időzíti a funkciókat 15 percre, miután a funkciók kikapcsoltak. A Timer kikapcsolható az **E** billentyű megnyomásával. Amikor a Timer funkció aktív, a kijelzőn a tízedesponthoz villognia kell. Ha az intenzív sebesség működésben van, a Timer nem

lehet aktiválni.

Az **E** billentyű 2 másodpercig tartó megnyomásával, ha a készülék ki van kapcsolva, aktiválódik a **„clean air”** funkció. Ezzel bekapcsolódik a motor minden órában 10 percre első sebességre. Működés közben a kijelzőnek a perifériás részek forgó mozgását kell mutatnia. Ennek az időnek az elteltével a motor kikapcsol és a kijelzőn meg kell jelennie a nem villogó **„C”** betűnek egészen addig, amíg újabb 50 perc múlva a motor további 10 percre újraindul stb.

### • A zsírszűrők/aktív szénzsűrők telítődése: 14.ábra

- Amennyiben a **C** kijelzőn az aktuális sebességfokozat és az **F** betű villog felváltva (pl. 1 és **F**), a **zsírszűrőket** meg kell mosni.

- Amennyiben a **C** kijelzőn az aktuális sebességfokozat és az **A** betű villog felváltva (pl. 1 és **A**), a **szénzsűrőket** ki kell cserélni.

Miután visszahelyezte a tiszta szűrőt, az elektromos memória nullázásához nagyjából **öt másodpercre** tartsa lenyomva az **A** gombot, míg a **C** kijelzőn az **F**, vagy **A** jelzés villogása abba nem marad!

## A HASZNÁLATI UTASÍTÁS BE NEM TARTÁSÁBÓL EREDŐ KÁROKÉRT SEMMINEMŰ FELELŐSÉGET NEM VÁLLALUNK.

## GENERELT

Les denne bruksanvisningen nøye. Her gis viktig informasjon angående sikker installering, bruk og vedlikehold av apparatet. Ta vare på bruksanvisningen for fremtidige behov. Apparatet er laget for å kunne brukes i avtrekksversjon (suge ut luft utenifra - **Fig.1B**), filterversjon (resirkulere luft innvendig - **Fig.1A**) eller versjon med ekstern motor (**Fig.1C**).

## SIKKERHETS INFORMASJON

1. Vær forsiktig dersom en vifte med utvendig avløp benyttes i samme rom som en brenner eller en ovn som ikke går på elektrisk strøm, da viften trekker luften brennere eller ovnen trenger til forbrenningen. Det negative trykket i rommet må ikke overstige 4 Pa (4x10<sup>-5</sup> bar). For sikker bruk må man derfor sørge for tilstrekkelig ventilasjon av lokalet. Avtrekket skal utføres i henhold til gjeldende forskrifter.

Før modellen kobles til det elektriske systemet:


- Kontroller typeskiltet (befinner seg inni apparatet) for å kontrollere at spenning og styrke er i samsvar med strømmettet og da forbindelseskontakten er egnet. Er du i tvil ta kontakt med en kvalifisert elektriker.
- Dersom strømledningen er ødelagt, må denne byttes ut med en kabel eller en spesialenhet som kan skaffes hos produsenten eller serviceavdelingen til produsenten.
- Koble anordningen til strømtilførselen ved hjelp av et støpsel med **sikring 3A** eller til de to ledningene til **bifasen** beskyttet av en **sikring 3A**.

### 2. Advarsel!

**I noen situasjoner kan elektriske apparater utgjøre en fare.**

- A) Ikke kontrollere filtrenes tilstand mens avtrekket er i bruk**
- B) Ikke berøre lyspærene eller de nærliggende områdene under eller rett etter lengre bruk av belysningsanlegget**
- C) Det er forbudt å steke mat med flammer under avtrekket**
- D) Unngå åpen ild, siden den skader filtrene og kan medføre brann**
- E) Hold frityrsteking av mat konstant under kontroll, for å unngå at oljen tar fyr**
- F) Trekk ut støpselet fra stikkkontakten før du foretar vedlikeholdsarbeid**
- G) Apparatet er ikke ment til brukes av barn eller ikke selvstendige personer uten overvåking**
- H) Overvåk barna for å være sikre på at de ikke leker med ovnen**
- I) Når avtrekket benyttes samtidig med apparater som brenner gass eller andre brennstoffer, må rommet være passende utluftet**
- L) Hvis rengjøringsinngrepene ikke utføres i samsvar med anvisningene, er det fare for at det kan oppstå en brann**

Dette apparatet er merket i samsvar med det europeiske direktivet EC/96/2002, "Waste Electrical and Electronic Equipment" (WEEE). Ved å forsikre seg om at dette produktet blir av satt på korrekt måte vil brukeren bidra til å hindre potensielt negative effekter for miljø og helse.


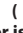
Symbolet  på produktet, eller i den medfølgende dokumentasjonen viser til at dette produktet ikke må behandles som husholdningsavfall, men må leveres inn til spesialinnsamling for elektriske og elektroniske produkter for resirkulering. Man må kvitte seg med apparatet slik lokale regler for avsetning og resirkulering tilsier. For nærmere informasjon om behandling, gjenvinning og resirkulering av dette produktet må man kontakte det lokale avfallsselskap, offentlig kontor med ansvar for søppelinnsamling eller butikken der produktet ble kjøpt.

## INSTALLASJONSVEILEDNING

**Montering og elektriske koblinger må utføres av kvalifisert personale.**

### • Elektrisk tilkobling

**Merk: Verifiser datamerket som finnes på innsiden av apparatet:**

- Hvis symbolet (  ) vises på platen, betyr det at ingen jordforbindelse må gjøres på apparatet, følg derfor instruksjonene for isolasjonsklasse II.
- Hvis symbolet (  ) IKKE vises på platen, følg instruksjonene for isolasjonsklasse I.

### Isolasjonsklasse II

Apparatet er fremstilt i klasse II, ingen leder skal derfor kobles til jord.

Støpselet må være lett tilgjengelig etter installasjon av apparatet.

Hvis apparatet er utstyrt med en strømledning uten støpsel, må en omnipolar bryter i passende størrelse med 3 mm minimum åpning mellom kontaktene festes mellom apparatet og strømforsyningen i overensstemmelse med lasten og strømforskriftene.

Tilkobling til strømmettet utføres på følgende måte:

BRUN = L strømførende

BLÅ = N nulleleder

### Isolasjonsklasse I


**Merk deg følgende:**


Dette apparatet tilhører **klasse I**, av elektriske apparater og må derfor koples til jordet kontakt.

Tilkoblingen til strømforsyningen må utføres på følgende måte:

BRUN = L linje

BLÅ = N nøytral

GUL/ GRØNN =  jording

Den nøytrale tråden må koples til pluggen med symbolet **N** mens den **GRØNN/ GULE**, tråden må koples til pluggen nær jordings symbolet .

### Merk deg følgende:

Ved elektrisk tilkobling må man forsikre seg om at kontakten er jordet.

Etter montering av oppsugingsviften må man kontrollere at el-kontakten lett kan nås i den endelige posisjonen.

Ved direkte påkobling til strømmettet er det nødvendig å sette inn en flerpol-bryter mellom apparatet og strømmettet med en minimumsavstand på 3 mm mellom kontaktene, og som er egnet til strømbehovet og i overensstemmelse med



gjeldende regler.

Hvis komfyren er elektrisk, gass eller induksjon, må minsteavstanden mellom denne og den nedre delen av viften være minst **65 cm**.

Dersom det benyttes en avtrekkskanal bestående av to eller flere deler, skal den øvre delen tres utenpå den nedre. Koble ikke ventilatoravtrekket til et rør der det passerer varmluft eller røyk fra apparater som ikke går på strøm. Ta ut det/de fetthemmende filteret/filtrene (Fig.7) før du begynner med monteringen. Dette gjør det lettere å manøvrere apparatet. I anledning montering av apparatet i avtrekksversjon, forbered på forhånd hullet for luftervakuering.

#### • Festing til vegg

- Borr hullene **A** i den størrelsen som er indikert (Fig.2). Fest apparatet på veggen horisontalt i høyde med overskapene.

- Når det er riktig regulert, fest kappen godt ved hjelp av de 2 skruene **A** (Fig.5).

Ta i bruk skruer og plugg som passer til veggen hvor apparatet skal monteres (f.eks. betong, gipsplater, etc). Om skruer og plugg følger med produktet, forsikre deg om at de passer til veggen hvor kappen skal monteres.

#### • Festing av de dekorative teleskopiske rørene

- Ordne det slik at de elektriske ledningene går innvendig i det dekorative røret.

- Om apparatet ditt skal installeres i avtrekksversjon eller i versjon med ekstern motor, lag i stand hullet for utsuging av luft. Reguler bredden på det øverste rørets støttearm (Fig.3).

- Fest den deretter med skruene **A** (Fig.3) til taket slik at den er i akse med kappen.

- Pass på at den gitte avstanden fra taket, i Fig.2, blir overholdt. Kople kraven **C** til hullet for utsuging av luft ved hjelp av et rør (Fig.5).

- For det øverste røret inn i det nederste røret. Fest det nederste røret til kappen ved å bruke skruene **B** som følger med (Fig.5), trekk ut det øverste røret helt til støttearmen, og fest det med skruene **B** (Fig.3).

- Dersom deres apparat har de underste koblingene slik som indikert i Fig.4A, skal de festes slik som vist i Fig. 6A."

- For å skifte fra avtrekksversjon til filterversjon, spør forhandleren din etter filtre i aktivt karbon og følge monteringsanvisningene.

#### • Filterversjon

##### Advarsel!

For å kunne omforme viften fra **EKSTRAKTORVIFTE** til **FILTERVIFTE** må karbonfiltrene bestilles hos leverandøren som tilbehør.

Vi har to forskjellige utstyrsett, en med kullskuffilter (Fig. 8) og den andre med gjenvinnbare kullfilter (vaskbare). (Fig. 9)

- For å skifte ut skuffiltrene **X** med aktivt kull må spaken trekkes utover, som angitt i Fig. 8

- For å skifte ut de gjenvinnbare filtrene **Y** med aktivt kull må bøylen tas ut, idet de trekkes utover. (Fig. 9)

- 1- Hvis du i emballasjen finner en bøyle som angitt i Fig.9a må den festes til avtrekket ved hjelp av skruene som følger med.

## BRUK OG VEDLIKEHOLD

• Vi anbefaler at kjøkkenviften slås på før du tilbereder mat. Vi anbefaler også at apparatet får stå på i 15 minutter etter at maten er ferdig, slik at all forurenset luft elimineres.

Den effektive ytelsen til kjøkkenviften avhenger av stadig vedlikehold; antifettfilteret og det aktive karbonfilteret krever begge ekstra vedlikehold.

• **Antifettfilteret** brukes til å samle opp alle fettpartikler som finnes i luften, og dermed er det utsatt for metning (tiden det tar for at filteret blir fullt avhenger av måten apparatet brukes på).

- For å forhindre potensiell brannfare skal antifettfiltrene vaskes minst hver 2. måned (det er mulig å bruke oppvaskmaskinen til dette).

- Etter noen få vask, kan det hende at fargen på filtrene endres. Dette betyr ikke at de må skiftes ut.

Hvis utskiftnings- og vaskeinstruksjonene ikke følges, kan antifettfiltrene utgjøre en brannfare.

• **De aktive karbonfiltrene** brukes til å rense luften, som deretter slippes ut tilbake til rommet igjen. Filtrene kan ikke vaskes og er ikke gjenbrukbare, slik at de må erstattes minst hver fjerde måned. Metningsnivået til det aktive kullfilteret avhenger av brukshyppigheten til apparatet, typen matlaging som utføres og hvor regelmessig antifettfiltrene rengjøres.

• Rengjør kjøkkenviften ofte, både på insiden og utsiden, ved bruk av en klut som er fuktet i denaturalisert alkohol eller nøytralt flytende vaskemiddel **uten skureeffekt**.

• Belysningsanlegget er prosjektert for bruk under matlaging og ikke for lengre opplysning av rommet. Forlenget bruk av belysningen minsker varigheten av lyspærene betraktelig.

#### • Utskifting av halogene lyspærer (Fig.10).

For å skifte ut de halogene lyspærene **B** ta av glasset **C** ved å trykke på hakkene.

Skifte ut med lyspærer av samme type.

**Advarsel:** Ikke ta på lyspærene med bare hender.

#### • Utskifting av halogene lyspærer (Fig.11).

For å kunne erstatte de dikroiske lampene, ta forsiktig ut lampen fra lampeholderen ved hjelp av en liten flat skrutrekker eller et lignende verktøy. **VENNLIGST MERK! Når du utfører denne operasjonen, se til at du ikke riper opp viften.**

Skift ut pærene med nye av samme type.

#### • Kontroller: (Fig.12)

- **Med lys (Fig.12A)**

- **Elektroniske (Fig.12B)**

benyttes følgende symboler:

**A** = tast for BELYSNING

**B** = tast for OFF (AV)

**C** = tast for FØRSTE HASTIGHET

**D** = tast for ANNEN HASTIGHET

**E** = tast for TREDJE HASTIGHET

**F** = tast TIDSURE AUTOMATISK STOPP 15 minutter (\*)

Hvis ditt apparat er utstyrt med hastighetsfunksjonen **INTENSIV**, hold inne tasten **E** i ca. 2 sekunder og denne funksjonen aktiveres i 10 minutter og deretter går den tilbake til den forhåndsinnstilte hastigheten.

Når funksjonen er aktiv blinker LED. For å avbryte før det har gått 10 minutter trykk på nytt på tasten **E**.

Ved å trykke på tasten **F** i 2 sekunder (når viften er avslått), aktiveres funksjonen "**clean air**". Denne funksjonen gjør at motoren startes i 10 minutter hver time på laveste hastighet. Med en gang funksjonen aktiveres, starter motoren på laveste hastighet og varer i 10 minutter. I disse 10 minuttene blinker både tasten **F** og tasten **C**. Etter disse 10 minuttene stopper motoren og lyset til tasten **F** forblir påslått inntil motoren starter igjen etter 50 minutter. Da begynner lysene til **F** og

C å blinke igjen i 10 minutter osv. Ved å trykke på hvilken som helst tast på viften (ikke tastene tilhørende lysene), går viften tilbake til sin normale funksjon (f.eks. hvis du trykker på tasten **D** stanses funksjonen "**clean air**" og motoren startes øyeblikkelig på hastighetsnivå 2; ved å trykke på tasten **B** stanses funksjonen).

C slutter å blinke.

**PRODUSENTEN FRASKRIVER SEG ETHVERT ANSVAR FOR SKADER SOM SKYLDES AT OVENNEVNT RETNINGSLINJER IKKE ER BLITT FULGT**

(\* ) Med funksjonen "tidsur automatisk stopp" utsettes stans av ventilatoren, som vil fortsette å gå i 15 minutter på samme hastighet som da funksjonen ble aktivert.

• **Overmetning av aktivt-karbonfilteret/ avfettingsfilteret:**

- Når tasten **A** blinker med en frekvens på **2 sek.**, er det nødvendig å gjøre rent **avfettingsfiltrene**.

- Når tasten **A** blinker med en frekvens på **0,5 sek.**, er det nødvendig å bytte ut **karbonfiltrene**.

Deretter settes det rene filteret tilbake på plass, og man stiller så tilbake minnet ved å trykke på tast **A** i ca **5 sekunder**, helt til det slutter å blinke.

• **Kontroller MEKANISKE: (Fig.13 A-B-C)**

benyttes følgende symboler:

**A** = tast for BELYSNING

**B** = tast for OFF (AV)

**C** = tast for FØRSTE HASTIGHET

**D** = tast for ANNEN HASTIGHET

**E** = tast for TREDJE HASTIGHET

**G** = kontrollampe for MOTOR I FUNKSJON

• **Kontroller: (Fig.14)**

**Tast A** = lys på/av

**Tast B** = ventilator på/av. Apparatet starter på 1. hastighet. Dersom ventilatoren er på, trykker man 2 sekund på knappen for å slå den av. Dersom ventilatoren befinner seg på 1. hastighet er det ikke nødvendig å holde knappen inne for å slå den av. Motorhastighet reduseres.

**Display C** = indikerer den valgte motorhastigheten og aktivering av tidsur.

**Tast D** = starter ventilatoren. Øker motorens hastighet. Ved å trykke på tasten fra 3. hastighet vil intensiv-funksjonen aktiveres i 10 minutter. Deretter vil apparatet gjenoppta den normale hastigheten det gikk på da funksjonen ble aktivert. Displayet vil blinke så lenge funksjonen er aktivert.

**Tast E** = Tidsbryteren bryter av funksjonene etter en bestemt tid, etter at denne er blitt aktivert vil funksjonene slå seg av etter 15 minutter. Tidsbryteren vil bli deaktivert ved å trykke en gang til på tast **E**. Når tidsbryterfunksjonen er aktiv vil man på skjermen se desimalpunktet som blinker. Dersom intensiv hastighet er på kan ikke tidsavbrudd aktiveres.

Ved å trykke på tast **E** i 2 sekunder med avslått apparat vil funksjonen "**clean air**" aktiveres. Denne funksjonen slår på motoren i 10 minutter hver time, ved laveste hastighet. Under bruk må skjermen vise rotasjonsbevegelsen til de ytre segmentene. Når denne tiden er gått, vil motoren slå seg av og man vil på skjermen kunne se bokstaven "**C**" lyse, helt til motoren starter opp igjen etter 50 minutter for å være i virksomhet 10 minutter til.

• **Saturazione filtri Antigrasso/Carbone attivo: Fig.14**

- Når man skjermen **C** ser at bokstaven **F** blinker, med vekslende hastighet, (f.eks.1 og **F**) må fettfiltrene rengjøres.

- Når man skjermen **C** ser at bokstaven **A** blinker, med vekslende hastighet, (f.eks.1 og **A**) må karbonfiltrene skiftes. Etter at det rene filteret er plassert riktig, skal det elektroniske minnet tilbakestilles ved å trykke på knappen **A** i ca. **5 sekunder**, inntil indikasjonen **F** eller **A** som vises på displayet

## INFORMACJE OGÓLNE

Należy zapoznać się dokładnie z niniejszym tekstem, zawierającym wskazówki, dotyczące bezpieczeństwa przy instalacji, eksploatacji i konserwacji okapu kuchennego. Należy zachować niniejsze instrukcje także dla późniejszych konsultacji. Urządzenie zostało zaprojektowane w wersji zasilającej (odprowadzanie powietrza na zewnątrz – **Ryc.1B**), filtrującej (recykulacja powietrza do wewnątrz – **Ryc.1A**) lub z silnikiem zewnętrznym (**Ryc.1C**).

## UWAGI O BEZPIECZEŃSTWIE

1. Nie należy używać jednocześnie okapu kuchennego i paleniska lub kominka zależnych od powietrza w pomieszczeniu i niezasilanych energią elektryczną, ponieważ okap zużywa powietrze potrzebne do ich spalania. Ciśnienie ujemne w pomieszczeniu nie powinno przekraczać 4 Pa ( $4 \times 10^{-3}$  bar). Należy więc zadbać o prawidłową wentylację w pomieszczeniu, konieczną dla bezpiecznego funkcjonowania urządzenia. Przy odprowadzaniu dymu na zewnątrz, należy przestrzegać norm obowiązujących w waszym kraju.

Przed podłączeniem modelu do sieci elektrycznej:

- skontrolować tabliczkę znamionową (znajdującą się wewnątrz urządzenia) aby upewnić się, że napięcie i moc są odpowiednie dla danej sieci i, że gniazdo wtykowe połączenia jest odpowiednie. W przypadku wątpliwości zwrócić się do wykwalifikowanego elektryka.
- Jeśli przewód zasilana jest uszkodzony powinien zostać wymieniony na przewód lub specjalny zespół dostępny u producenta lub u jego obsługi technicznej.
- Podłączyć urządzenie do gniazda zasilającego poprzez wtyczkę z bezpiecznikiem topikowym **3A** lub dwupolowym przewodem z bezpiecznikiem topikowym **3A**.


## 2. Uwaga!

**W niektórych sytuacjach urządzenia elektryczne mogą stanowić zagrożenie.**

- A) Nie kontrolować stanu filtrów, gdy okap jest włączony**
- B) Nie dotykać lamp lub stref przyległych podczas lub zaraz po przedłużonym używaniu oświetlenia**
- C) Zabronione jest gotowanie potraw na ogniu pod okapem**
- D) Należy unikać wolnego ognia, ponieważ uszkadza filtry i może spowodować pożar**
- E) Należy stale kontrolować gotowane potrawy, aby uniknąć zapalenia wrzącego oleju**
- F) Wyjąć wtyczkę z gniazdka przed przystąpieniem do konserwacji**
- G) Urządzenie nie jest przeznaczone do używania przez dzieci lub niezdolne osoby bez nadzoru**
- H) Należy pilnować dzieci, aby upewnić się, że nie bawią się urządzeniem**
- I) Jeśli okap zostanie użyty jednocześnie z urządzeniami spalającymi gaz lub inne paliwa należy pamiętać o zagwarantowaniu dobrej wentylacji pomieszczenia.**
- L) Jeśli czynności związane z czyszczeniem nie zostaną wykonane zgodnie z instrukcjami, istnieje zagrożenie**

## wywołania pożaru.

Niniejsze urządzenie oznaczone jest zgodnie z dyrektywą europejską 2002/96/EC, Waste Electrical and Electronic Equipment (WEEE). Upewniwszy się, że niniejszy produkt zostanie zutylizowany we właściwy sposób, użytkownik przyczynia się do ochrony przed potencjalnymi konsekwencjami negatywnymi dla środowiska i zdrowia.

Symbol  podany na produkcie lub na dokumentacji towarzyszącej mu wskazuje, że produkt ten nie powinien być traktowany jako odpad domowy, lecz powinien być przekazany w stosownym punkcie zbiórki w celu odzyskania urządzeń elektrycznych i elektronicznych.



Pozbywać się go zgodnie z miejscowymi normami w zakresie utylizacji odpadów. Dla uzyskania dodatkowych informacji na temat traktowania, odzyskiwania i recyklingu tego produktu, należy skontaktować się z odpowiednim lokalnym biurem, służbą odpadów domowych lub ze sklepem, w którym produkt został zakupiony.

## INSTRUKCJE DO INSTALACJI

**Czynności montażu i podłączenia elektrycznego powinny być dokonane przez wyspecjalizowany personel.**

## • Podłączenie elektryczne

**Uwaga! Skontrolować tabliczkę znamionową znajdującą się wewnątrz urządzenia:**

- **Jeśli na tabliczce znajduje się symbol (  ), oznacza to, że urządzenie nie musi być uziemione, należy wykonać instrukcje dotyczące klasy izolacji II.**
- **Jeśli na tabliczce NIE znajduje się symbol (  ), oznacza to, że należy wykonać instrukcje związane z klasą izolacji I.**

## Klasa izolacji II

Urządzenie skonstruowane jest według klasy II, dlatego przewody nie muszą być uziemione.

Wtyczka musi być łatwo dostępna po instalacji urządzenia. W przypadku, gdy urządzenie wyposażone jest w kabel bez wtyczki, w celu jego podłączenia należy umieścić pomiędzy urządzeniem a siecią wyłącznik wielobiegunowy z minimalnym otwarciem między stykami wynoszącym 3 mm, przystosowany do obciążenia i zgodny z obowiązującymi normami.

Podłączenie do sieci elektrycznej powinno być przeprowadzone następująco:

BRĄZOWY = L linia

BŁĘKITNY = N zerowy

## Klasa izolacji I


**Uwaga!!!**

Urządzenie to wykonane zostało w **klasie I**, dlatego powinno być podłączone do uziemienia.


Podłączenie do sieci elektrycznej powinno zostać wykonane w następujący sposób:

BRĄZOWY = L linia

NIEBIESKI = N neutralny

ŻÓŁTO / ZIELONY =  uziemienie

Przewód neutralny powinien zostać podłączony do zacisku oznaczonego symbolem **N**, natomiast przewód **ŻÓŁTO**

**/ZIELONY** powinien zostać podłączony do zacisku w sąsiedztwie symbolu uziemienia. 

### Uwaga!!!

Podczas czynności podłączania elektrycznego urządzenia upewnić się, czy gniazdko wyposażone jest w bolec uziemienia.

Po zamontowaniu okapu odciągu należy upewnić się, czy gniazdko elektryczne jest łatwo dostępne

W przypadku bezpośredniego podłączenia do sieci elektrycznej koniecznym jest umieszczenie pomiędzy urządzeniem a siecią wyłącznika wielopolowego z minimalnym otwarciem między stykami wynoszącym 3 mm, przystosowanego do obciążenia zgodnego z obowiązującymi normami.

• Jeśli używana płyta grzewcza jest elektryczna, gazowa lub indukcyjna, minimalna odległość między płytą i najniższą częścią okapu musi wynosić co najmniej **65 cm**.

Przy zastosowaniu rury łączącej składającej się z dwóch lub kilku części, część górna rury musi znajdować się wewnątrz części dolnej. Nie należy łączyć przewodu wyciągowego okapu z przewodem, w którym krąży gorące powietrze lub z przewodem przeznaczonym do odprowadzania dymu z urządzeń zasilanych energią inną niż energia elektryczna. Przed przystąpieniem do montażu, należy wyłączyć filtr (Ryc. 7) w celu łatwiejszego manipulowania urządzeniem.

W przypadku montażu urządzenia w wersji ssącej przygotować otwór odprowadzenia powietrza.

### • Montaż na ścianie

- Wywiercić otwory **A** uwzględniając podane wielkości (Ryc.2).

- Umocować urządzenie na ścianie i ustawić w poziomie za pomocą zawieszek.

- Następnie przymocować okap za pomocą dwóch śrub **A** (Ryc.5).

W zależności od montażu użyć śrub i kołków odpowiednich dla danego rodzaju muru (np. żelbeton, płyta kartonowo-gipsowa, itp.) W przypadku gdy śruby i kołki wchodzą w skład zestawu, należy upewnić się, że są one odpowiednie dla rodzaju ściany, na której ma być zamocowany okap.

### • Montaż teleskopowych złączek ozdobnych

- Przed założeniem złączki ozdobnej zamontować zasilanie elektryczne.

- Jeśli urządzenie instalowane jest w wersji zasysającej lub w wersji z silnikiem zewnętrznym należy najpierw zamontować otwór odprowadzający powietrze.

- Ustawić szerokość podpory górnej złączki (Ryc.3).

- Następnie przymocować podporę do sufitu za pomocą śrub z uwzględnieniem odległości wskazanej na **ryc.2** w taki sposób, aby była równoległa do okapu **A** (Ryc.3).

- Przyłączyć kołnierz **C** do otworu odprowadzającego powietrze za pomocą rury łączącej (Ryc.5).

- Umieścić górną złączkę wewnątrz dolnej.

- Przymocować dolną złączkę do okapu używając śrub **B** (w zestawie) (Ryc.5), naciągnąć górną złączkę aż do skrzynki i zamocować za pomocą śrub **B** (Ryc.3).

- Jeżeli Wasze urządzenie posiada dolne złączki jak na **Fig.4A**, należy dokonać umocowania jak pokazano na **Fig.6 A**.

- Aby przekształcić okap z wersji zasysającej w wersję filtrującą, należy zakupić filtry z węgla aktywnego i postępować według instrukcji montażu.

### • Wersja z filtrem

#### Uwaga!

Aby okap **Z WENTYLATOREM** przekształcić na okap z **FILTREM**, należy zamówić u dostawcy filtry węglowe jako

dotychczasowe wyposażenie.

Mamy do dyspozycji dwa inne Zestawy, jeden z filtrem z węglem aktywnym w szczytce (**Rys. 8**) i drugi z filtrem z węglem aktywnym do wielokrotnego użytku (które można myć). (**Rys.9**)

- Aby wymienić filtry z aktywnym **X** węglem, należy pociągnąć na zewnątrz dźwignię w sposób pokazany na **Rys. 8**.

- aby wymienić filtry z aktywnym **Y** węglem, należy wyciągnąć ramki w kierunku na zewnątrz. (**Rys. 9**)

- Jeśli w opakowaniu znajdziecie listwę jak ta wskazana na **Rys.9a** należy przykręcić ją do okapu dostarczonymi wkrętami.

## EKSPLOATACJA I KONSERWACJA

• Zaleca się uruchomienie urządzenia przed przystąpieniem do gotowania jakiegokolwiek potrawy. Zaleca się, aby nie wyłączać urządzenia przez około 15 minut po zakończeniu gotowania potraw w celu całkowitego usunięcia nieświeżego powietrza.

Prawidłowe działanie okapu uwarunkowane jest prawidłową i regularną konserwacją; szczególną uwagę należy zwrócić na filtr przeciwtluszczowy oraz na filtr z węglem aktywnym.

• **Filtr przeciwtluszczowy** ma za zadanie zatrzymywanie cząsteczek tłuszczu zawieszonych w powietrzu, dlatego narażony jest na zatkanie, które może nastąpić w różnym czasie, zależnie od eksploatacji urządzenia.

- Aby zapobiec niebezpieczeństwu ewentualnych pożarów, co najmniej raz na 2 miesiące należy myć filtry przeciwtluszczowe, można je myć min. w zmywarce.

- Po kilku umyciach mogą wystąpić zmiany koloru. Fakt ten nie daje prawa do reklamacji w celu dokonania ich ewentualnej wymiany.

W przypadku nieprzestrzegania instrukcji wymiany i mycia może powstać niebezpieczeństwo zapalenia się filtrów przeciwtluszczowych.

• **Filtry z węglem aktywnym** służą do oczyszczania powietrza zwracanego do otoczenia. Filtry nie nadają się do mycia ani do regeneracji i powinny być wymieniane nie rzadziej niż co cztery miesiące. Nasycenie węgla aktywnego zależy od dłuższego lub krótszego czasu użytkowania urządzenia, od rodzaju kucharki oraz od regularności, z jaką wykonywane jest czyszczenie filtra przeciwtluszczowego.

• Często myć okap, zarówno wewnątrz, jak i na zewnątrz, przy pomocy szmatki zwilżonej denaturatem lub neutralnym środkiem myjącym w płynie, **nie** ściernym.

• Instalacja oświetleniowa zaprojektowana jest do użytkowania podczas gotowania, a nie do długotrwałego użycia jako oświetlenie główne pomieszczenia. Przedłużone użytkowanie oświetlenia zmniejsza znacząco średnią trwałość żarówek.

### • Wymiana lamp halogenowych (Rys.10).

Aby wymienić lampy halogenowe **B** ściągnąć szkiełko **C** wykorzystując do tego odpowiednie otwory. Wymienić lampy na takie same.

**Uwaga:** Nie dotykać lampy gołą ręką.

### • Wymiana lamp halogenowych (Rys.11).

Aby wymienić dwubarwne lampy, należy odłączyć lampę wyjmując ją ostrożnie z obudowania za pomocą małego płaskiego śrubokręta lub podobnego narzędzia. **UWAGA!** **Podczas tej czynności należy uważać, aby nie porysować okapu.**

Wymienić lampy na takie same.

#### • Układ sterowania: (Rys.12)

- **Stery świetlne (Rys.12A)**

- **Stery elektroniczne (Rys.12B)**

znaczenie symboli jest następujące.

**A** = przycisk OŚWIETLENIE

**B** = przycisk WŁĄCZENIE

**C** = przycisk PIERWSZA PRĘDKOŚĆ

**D** = przycisk DRUGA PRĘDKOŚĆ

**E** = przycisk TRZECIA PRĘDKOŚĆ

**F** = przycisk REGULATOR CZASOWY AUTOMATYCZNEGO WYŁĄCZENIA po 15 minutach (\*)

Jeżeli Wasze urządzenie jest zaopatrzone w funkcję prędkości **INTENSYWNEJ**, należy przycisnąć przez około 2 sekundy przycisk **E** i ta funkcja się włączy przez 10 minut po czym powróci do poprzednio ustawionej prędkości.

Jeżeli funkcja jest aktywna dioda LED miga. Aby ją wyłączyć przed upływem 10 minut przycisnąć ponownie klawisz **E**

Przyciskając przycisk **F** przez 2 sekundy (przy wyłączonym okapie) włącza się funkcja „**clean air**”. Ta funkcja powoduje włączenie silnika przez 10 minut co godzinę na pierwszej prędkości. Jak tylko ta funkcja jest włączona silnik włącza się na 1° prędkość na okres 10 minut podczas tych minut powinny migać jednocześnie przycisk **F** i przycisk **C**. Po upływie tego czasu silnik się wyłącza i LED przycisku **F** świeci się stałym światłem aż do momentu gdy po upływie następnych 50 minut ponownie włącza się silnik na pierwszą prędkość i LED **F** i **C** ponownie migają przez 10 minut i dalej w ten sam sposób. Przyciskając jakikolwiek przycisk za wyjątkiem światła okapu silnik powraca natychmiast do normalnego funkcjonowania (np. jeżeli przyciska się przycisk **D** wyłącza się funkcja „**clean air**” i silnik przechodzi od razu na 2° prędkość; przyciskając przycisk **B** funkcja się wyłącza)

(\*) Funkcja „regulator czasowy wyłączenia automatycznego” opóźni wyłączenie okapu, który będzie funkcjonował przez 15 minut wg regulacji prędkości, jaką posiadał w momencie włączenia takiej funkcji.

#### • Nasylenie filtrów przeciwłuszczowych/ z węgla aktywnego:

- Kiedy przycisk **A** pulsuje z częstotliwością **2 sec**. Filtry **przeciwłuszczowe** wymagają przemycia.

- Kiedy przycisk **A** pulsuje z częstotliwością 0,5 sec. Filtry **węglowe** wymagają wymiany.

Po ponownym założeniu czystego filtra należy zresetować pamięć elektroniczną wdsuzając przycisk **A** przez około **5 sec**. aż ustanie pulsowanie.

#### • Układ sterowania Stery mechaniczne (Rys.13 A-B-C)

znaczenie symboli jest następujące:

**A** = przycisk OŚWIETLENIE

**B** = przycisk WŁĄCZENIE

**C** = przycisk PIERWSZA PRĘDKOŚĆ

**D** = przycisk DRUGA PRĘDKOŚĆ

**E** = przycisk TRZECIA PRĘDKOŚĆ

**G** = wskaźnik SILNIK FUNKCJONUJĄCY

#### • Wyświetlacz: (Rys.14)

**Przycisk A** = przycisk włączający / wyłączający oświetlenie

**Przycisk B** = przycisk włączający / wyłączający urządzenie.

Okap włączy się przy 1 prędkości. Przy uruchomieniu uruchomionym, naciskając przycisk przez 2 sekundy, nastąpi wyłączenie okapu. Jeżeli urządzenie pracuje przy pierwszej prędkości, aby

wyłączyć okap, nie jest konieczne naciśnięcie przycisku. Silnik będzie pracował przy zmniejszonych obrotach.

**Wyświetlacz C** = wskazuje wybraną prędkość i informuje, czy został włączony licznik czasu.

**Przycisk D** = uruchamia okap. Naciskając taki przycisk nastąpi wzrost prędkości. Naciskając przycisk urządzenie z trzeciej prędkości przejdzie w intensywny tryb pracy, który będzie trwał ok. 10 sekund, po czym wróci do funkcjonowania przy wybranej poprzednio prędkości. W czasie uruchomienia takiej funkcji, wyświetlacz zapali się światłem migającym.

**Przycisk E** = Il Timer reguluje czasowo funkcje, w chwili włączenia, przez 15 minut po ich wyłączeniu. Il Timer wyłącza się ponownym wciśnięciem przycisku **E**. Kiedy funkcja Timer jest włączona to na wyświetlaczu dziesiętna pozycja ma migać. Jeżeli włączona jest prędkość intensywna wówczas Timer nie można włączyć.

Wciśnięciem przycisku **E** na 2 sekundy, gdy urządzenie jest wyłączone, włącza się funkcję „**clean air**”. Włączy się wówczas silnik co godzinę na 10 minut przy pierwszej prędkości. Podczas funkcjonowania obrotowy ruch peryferyjnych segmentów. Po tym czasie silnik wyłączy się i na wyświetlaczu ukaże się litera „**C**” świecąca się w sposób ciągły przez następane 50 minut, po czasie którym silnik włączy się i tak dalej.

#### • Nasylenie filtrów przeciwłuszczowych/ z węgla aktywnego: Fig.14

- Kiedy wyświetlacz **C** miga zmieniając prędkość pracy na literę **F** (es.1 e **F**) filtry **przeciwłuszczowe** mają być umyte.

- Kiedy wyświetlacz **C** miga zmieniając prędkość pracy na literę **A** (es.1 e **A**) filtry **węglane** mają być wymienione.

Po umieszczeniu czystego filtra należy wyzerować elektroniczną pamięć naciśnięciem przycisku **A** na około **5 sekund** aż do momentu, kiedy sygnalizator świetlny **F** lub **A** na wyświetlaczu **C** przestanie migać.

**DOSTAWCA UCHYLA SIĘ OD WSZELKIEJ ODPOWIEDZIALNOŚCI ZA EWENTUALNE USTERKI, SPÓWODOWANIE NIEPRZESTRZEGANIEM WYŻEJ WYMIENIONYCH WSKAZÓWEK.**

## DESCRIERE GENERALĂ

Citiți cu atenție instrucțiunile de siguranță, utilizare și întreținere cuprinse în acest manual. Păstrați cu grijă manualul de utilizare; pe viitor vă poate folosi. Acest aparat a fost proiectat în trei variante: aspirantă (cu evacuarea aerului la exterior, vezi **Fig.1B**), filtrantă (recirculația aerului în interior, vezi **Fig.1A**) sau cu un motor extern (vezi **Fig.1C**).

## INSTRUCȚIUNI DE SIGURANȚĂ

1. Dacă dispuneți de o centrală termică sau de o altă sursă de încălzire care folosește, pentru combustie, aerul din încăpere, aveți grijă să nu funcționeze împreună cu hota, deoarece aceasta absoarbe aerul. Presiunea negativă din încăpere nu trebuie să depășească 4 pascali (4 x 10<sup>-5</sup> bari). Pentru a garanta o funcționare corectă, asigurați-vă că ventilația din încăpere este adecvată. În ceea ce privește evacuarea aerului în mediul înconjurător, respectați normele naționale în vigoare.

Înainte de conectarea modelului la rețeaua electrică:

- controlați plăcuța cu instrucțiunile (pusă în interiorul aparatului) pentru a vă asigura că tensiunea și energia să fie corespunzătoare acelei de la rețea și priza să fie potrivită. Dacă aveți nelămuriri întrebați pe un electricist calificat.

- În cazul în care cablul este deteriorat, acesta trebuie să fie înlocuit cu un cablu (sau cu un ansamblu) special; pentru aceasta, apelați la fabricant sau la serviciul de asistență tehnică.

- Racordați hota la rețeaua de alimentare, printr-un ștecăr cu **siguranță fuzibilă de 3A** sau la cele două fire ale rețelei bifazice protejate de o **siguranță fuzibilă de 3A**.

### 2. Atenție!

**În anumite situații, aparatele electrice pot reprezenta un pericol.**

**Nu controlați starea filtrelor în timp ce hota este în funcțiune**

**B) Nu atingeți becurile sau zonele apropiate în timpul sau imediat după folosirea îndelungată a instalației de iluminat**

**C) Nu frigeți alimentele direct pe flacără, dacă hota este în funcțiune**

**D) Evitați flăcările deschise, deoarece deteriorează filtrele și pot provoca incendii**

**E) Dacă prăjiți în ulei, nu vă îndepărtați de aragaz, deoarece uleiul fierbinte poate lua foc**

**F) Deconectați ștecherul de la priza de curent înainte de a efectua întreținerea**

**G) Aparatul nu este destinat folosirii de către copii sau de către persoane incapabile fără supraveghere**


**H) Supravegheați copiii, pentru a fi siguri că nu se joacă cu aparatul**

**Când hota este folosită în același timp cu alte aparate care ard gaze sau alte combustibile, încăperea trebuie să fie ventilată corespunzător**

**L) Dacă operațiunile de curățare nu sunt efectuate cu respectarea instrucțiunilor, există riscul producerii unui incendiu**

Acest aparat este contrasemnat în conformitate cu Directiva Europeană 2002/96/EC, referitoare la "Waste Electrical and

Electronic Equipment (WEEE)". Asigurându-vă că acest produs este scos din uz în mod corect, dv ca utilizator contribuiți la prevenirea puternicelor consecințe negative asupra mediului înconjurător și asupra sănătății.

Simbolul  aplicat pe produs sau pe documentația de însoțire a acestuia vă arată că aparatul trebuie să fie tratat separat de deșeurile casnice; în acest scop el va trebui să fie încredințat unui centru de colectare adecvat, destinat reciclării aparatelor electrice și electronice.

Scoaterea din uz a acestor produse este deci supusă normelor locale în materie de tratare a deșeurilor.


Pentru informații ulterioare cu privire la tratarea, recuperarea sau reciclarea acestui produs, apelați la biroul local competent, la serviciul de colectare a deșeurilor casnice sau la magazinul de unde ați achiziționat aparatul.


## INSTRUCȚIUNI DE MONTAJ

**Toate operațiile de montaj și conectare electrică trebuie să fie efectuate de personal specializat.**

### • Conexiunea electrică

**Notă: Controlați plăcuța de date pusă în interiorul aparatului:**

- Dacă pe plăcuță apare simbolul (  ) înseamnă că aparatul nu trebuie legat la pământ, executați deci instrucțiunile privind clasa de izolație II.

- Dacă pe plăcuță nu apare simbolul (  ) executați instrucțiunile privind clasa de izolație I.

### Clasa de izolație II

Hota intră în clasa de construcție II; de aceea, nu este necesar să o conectați la împământare.

Ștecărul trebuie să fie ușor accesibil după instalarea aparatului.

În cazul în care aparatul este prevăzut cu cablu fără ștecăr, pentru a-l conecta la rețeaua electrică este necesară interpunerea între aparat și rețea a unui întrerupător omnipolar cu deschiderea minimă între contacte de 3 mm, dimensionat la sarcină și conform normelor în vigoare.

Conectarea la rețeaua electrică trebuie să respecte următoarele indicații:

MARO = L fază

BLEUMARIN = N neutru

### Clasa de izolație I

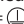
**Atenție!**


Acest aparat intră în clasa de construcție I; de aceea, nu este necesar să îl conectați la împământare.

Conectarea la rețeaua electrică trebuie să respecte următoarele indicații:

MARO = L fază

BLEUMARIN = N neutru

GALBEN/VERZUI =  împământare

Cablul de nul trebuie să fie conectat la borna cu simbolul **N** în timp ce cel **GALBEN/VERZUI**, trebuie să fie conectat la borna de lângă simbolul de împământare (masa)  .

**Atenție!**

La efectuarea legăturilor electrice, asigurați-va că priza de curent este dotată cu firul de împământare.

Dupa montarea hotei de aspirare, asigurați-va că priza este

usor accesibila. Dacă veți efectua conectarea direct la rețeaua electrică, este necesar să echipați cablul cu un întrerupător omnipolar cu deschiderea contactelor de 3 milimetri, capabil să suporte sarcina electrică indicată, conform normelor în vigoare.

• Dacă plita care se utilizează este electrică, cu gaze sau cu inducție, distanța minimă între aceasta și partea cea mai de jos a hotei trebuie să fie de cel puțin **65cm**.

Dacă veți folosi un tub de evacuare compus din două segmente, segmentul superior trebuie să fie în exteriorul segmentului inferior.

Nu conectați tubul de evacuare a aburilor la o conductă de aer cald sau care servește și la evacuarea aburilor care provin de la alte instalații de încălzire, mai ales dacă alimentarea acestora nu este electrică.

Înainte de a începe montajul, îndepărtați filtrul/filtrele (vezi Fig. 7), pentru a mânuși mai ușor hota.

În caz că aparatul este montat în versiune aspirantă predispuși gaura de evacuare al aerului.

#### • **Fixarea la perete**

- Executați găurile **A** respectând cotele indicate (vezi Fig.2).

- Fixați hota la perete și aliniați-o orizontal cu celelalte corpuri suspendate.

- Când ați reglat înălțimea, fixați hota definitiv, cu ajutorul celor două șuruburi **A** (vezi Fig.5).

În funcție de tipul peretelui (de ex. beton armat, ghips-carton) folosiți șuruburile sau diblurile cu expansiune adecvate. Dacă hota a fost livrată cu șuruburile sau diblurile respective, controlați dacă acestea se potrivesc, într-adevăr, cu tipul de perete pe care o veți monta.

#### • **Montarea coloanei telescopice decorative**

- Introduceți cablurile electrice în interiorul coloanei decorative.

- Dacă hota dumneavoastră este aspirantă sau dispune de un motor extern, executați mai întâi gaura de evacuare a aburilor.

- Reglați lățimea bridei de suport din partea superioară a coloanei (Fig.3).

- Fixați coloana pe tavan având grijă să fie centrată pe aragaz și brida de suport să fie la înălțimea precizată în figura 2; folosiți pentru aceasta șuruburile **A** (vezi Fig.3).

- Montați apoi tubul de evacuare, de la flanșa **C** la gaura de evacuare aer (vezi Fig.5).

- Introduceți segmentul superior al coloanei în segmentul interior al acesteia.

- Fixați apoi segmentul inferior al coloanei pe hotă cu șuruburile **B** din dotare (vezi Fig.5) și prelungiți segmentul superior până la brida, fixându-l și pe acesta cu șuruburile **B** (vezi Fig.3).

- În cazul în care aparatul dvs. are manșoanele inferioare indicate ca și în Fig.4A, fixarea lor este cea reprezentată în Fig.6A.

- Pentru a schimba hota de la varianta aspirantă la varianta filtrantă, apelați la vânzător pentru furnizarea filtrelor de carbon activ; pentru montajul acestora, urmăriți instrucțiunile.

#### • **Varianta filtrantă**

##### **Atenție!**

Pentru a transforma hota din versiunea **ASPIRANTĂ** în versiunea **FILTRANTĂ** filtrele cu cărbune trebuie comandate de la furnizorul dumneavoastră ca accesoriu separat.

Avem disponibile două tipuri diverse de Kit, unul cu filtre cu cărbune cu sertar (Fig.8) iar celălalt cu filtre cu cărbune regenerabile (lavabile). (Fig.9)

Pentru a înlocui filtrele cu cărbune activ cu sertar **X**, trebuie să trageți spre exterior pîrghia așa cum este indicat în Fig. 8

- Pentru a înlocui filtrele cu cărbune regenerabile **Y**, scoateți bridele din locașul lor, trăgîndu-le afară. (Fig.9)

- Dacă în ambalaj găsiți o bridă ca cel indicat în Fig.9a trebuie să-o fixați la hotă cu șuruburile din dotare.

## UTILIZARE ȘI ÎNTREȚINERE

• Se recomandă să porniți hota înainte de a începe coacerea alimentelor. Lăsați hota în funcțiune 15 minute după stingerea aragazului, pentru a elimina complet mirosul de mâncare.

Funcționarea corectă a hotei depinde de întreținerea ei în mod periodic, conform indicațiilor; o atenție mărită trebuie acordată filtrului degresant și filtrului de carbon activ.

• **Filtrul degresant** capturează suspensiile de grăsime din aer și de aceea se poate deseori obtura, în funcție de folosirea aparatului.

- Pentru a elimina posibilitatea declanșării unui incendiu, la maxim 2 luni este necesar să spălați filtrele degresante, chiar și în mașina de spălat vase.

- După câteva cicluri de spălare, culoarea filtrelor se poate modifica. Acest lucru nu vă dă îndreptățeste să înaintați reclamații sau să solicitați înlocuirea lor.

Dacă nu respectați exact instrucțiunile de înlocuire sau curățire, există riscul ca filtrele degresante să ia foc.

• **Filtrele din cărbune activ** purifică aerul, care va fi re-pus în circulație în bucătărie. Filtrele nu pot fi spălate sau recondiționate; se recomandă înlocuirea lor la maxim patru luni. Gradul de saturare al filtrului depinde de timpul de folosire a hotei, de tipul de bucătărie și de frecvența operațiilor de întreținere a filtrului degresant.

• Curățați hota des, atât pe interior cât și pe exterior, cu ajutorul unei lavete îmbibate în spirt sau cu un detergent neutru, **neabraziv**.

• Instalația de lumină este proiectată numai pentru folosirea ei în timpul gătitului și nu pentru a asigura iluminarea generală a bucătăriilor. Folosirea îndelungată a luminii hotei reduce mult durata de viață a becurilor.

#### • **Înlocuirea becurilor cu halogen (Fig.10).**

Pentru a înlocui becurile cu halogen **B** îndepărtați geamul din sticlă **C** apăsând clamele din fisurile corespunzătoare.

Înlocuiți becurile arse cu altele noi, de același tip.

**Atenție:** nu atingeți becul cu mâna.

#### • **Înlocuirea becurilor cu halogen (Fig.11).**

Pentru înlocuirea becurilor dicroice, deconectați becul scoțându-l cu grijă din suportul său cu ajutorul unei mici șurubelnițe plate sau al unui instrument echivalent. **ATENȚIE! În timpul acestei operații, aveți grijă să nu zgăriați hota.** Înlocuiți becurile arse cu altele noi, de același tip.

#### • **Comenzi: (Fig.12)**

- **Luminoase (Fig.12A)**

- **Electronice (Fig.12B)**

simbolurile sunt explicate mai jos:

**A**= buton LUMINĂ

**B**= buton de oprire OFF

**C**= buton VITEZA ÎNTĂI

**D**= buton VITEZA A DOUA

**E**= buton VITEZA A TREIA

**F**= buton TEMPORIZATOR OPRIRE AUTOMATĂ 15 minute (\*)

Daca aparatul dumneavoastra este prevazut de functiunea vitezei **INTENSIVE**, tineti apasat timp de 2 secunde butonul **E** si aceasta va fi pusa in functiune pe timp de 10 minute dupa care se va intoarce la viteza stabilita precedent.

Cand functiunea este activa ledul semnaleaza. Pentru a o intrerupe inainte de 10 minute apasati di nou pe butonul **E**

Apasand butonul **F** timp de 2 secunde (cu hota inchisa) se va pune in functiune "**clean air**". Acest procediment va pune in functiune motorul timp de 10 minute la fiecare ora in prima viteza.

Cum s-a pus in functiune, motorul va incepe cu 1° viteza timp de 10 minute in timpul careia trebuie sa semnaleze simultan butoanele **F** si **C**. Dupa ce a trecut acest timp motorul se opreste si ledul butonului **F** ramane fix aprins, iar dupa 50 de minute motorul pornește din nou la prima viteza si ledul **F** si **C** încep sa semnalizeze pe timp de 10 minute, si asa mai departe. Apasand oricare buton in afara de cel de lumina, hota va incepe imediat sa functioneze normal (de ex. daca apas butonul **D** se dezactiveaza functiunea "clear air" si motorul va merge imediat la 2° viteza; apasand butonul **B** functiunea se va dezactiva)

(\* ) Functia „**TEMPORIZATOR OPRIRE AUTOMATĂ**” întârzie oprirea hotei, care va continua să funcționeze timp de 15', la viteza pe care o avea în momentul activării acestei funcții.

#### • Saturarea filtrului de degresare/carbon activ:

- Când tasta **A** emite un semnal intermitent, la un interval de **2 secunde**, filtrele de degresare trebuie spălate.

- Când tasta **A** emite un semnal intermitent, la un interval de **0,5 secunde**, filtrele de carbon activ trebuie să fie înlocuite.

După ce ați montat filtrul curat este necesar să ștergeți memoria electronică apăsând tasta **A** timp de 5 **secunde**, până când tasta se stinge.

#### • Comenzi Mecanice (Fig.13 A-B-C)

simbolurile sunt explicate mai jos:

**A**= buton LUMINA

**B**= buton de oprire OFF

**C**= buton VITEZA ÎNTÂI

**D**= buton VITEZA A DOUA

**E**= buton VITEZA A TREIA

**G**= semnal luminos MOTOR ÎN FUNCȚIUNE

#### • Comenzi (Fig.14):

**Butonul A** = aprinde/stinge lumina

**Butonul B** = pornește/oprește hota. Micșorează viteza motorului. Punerea în funcțiune a hotei se realizează la viteza 1. Dacă hota este în funcțiune, apăsați butonul timp de 2 secunde pentru a o opri. Dacă hota este în viteza 1, nu este necesar să o opriți.

**Display C** = indică viteza selectată și activează temporizatorul.

**Butonul D** = pornește hota. Mărește viteza motorului. Prin apăsarea butonului corespunzător vitezei a 3a, se intensifică funcționarea timp de 10', după care hota se întoarce la viteza inițială. În acest interval de timp display-ul emite o lumină intermitentă.

**Butonul E** = Timer-ul cronometrează durata funcțiilor, din momentul activării lor, timp de 15 minute; apoi, acestea sunt dezactivate. Timer-ul se dezactivează apăsând din nou butonul **E**. Când funcția Timer este activă, zecimalele de pe display emit un semnal intermitent. Dacă funcția Viteza intensiva este activată, Timer-ul nu poate fi pus în funcțiune.

Apasand butonul **E** timp de 2 secunde, când aparatul este

oprit, se activeaza functia "**clean air**". Aceasta pune in functiune motorul 10 minute pe ora, la viteza întâi. In timpul functionarii, pe ecran apare o miscare rotativa, a segmentelor periferice. La expirarea timpului, motorul se opreste iar pe ecran apare litera **C**, cu un semnal luminos stabil, care ramane in acest fel 50 de minute; apoi, motorul se repune in functiune alte 10 minute, s.a.m.d.

#### • Saturarea filtrului de degresare/carbon activ: Fig.14

- Când ecranul **C** este intermitent și viteza de funcționare se alternează cu litera **F** (de ex.1 și **F**) este necesar să spălați filtrele **degresante**.

- Când ecranul **C** este intermitent și viteza de funcționare se alternează cu litera **A** (de ex.1 și **A**) este necesar să înlocuiți filtrele de **carbon activ**.

După montarea unui filtru curat, este necesar să resetezi memoria electronică apăsând tasta **A** timp de **5 sec.**, până când ledurile **F** sau **A** de pe ecranul **C** încetează să fie intermitente.

#### PRODUCĂTORUL ÎȘI DECLINĂ ORICE RESPONSABILITATE PENTRU DAUNELE PROVOCATE PRIN NERESPECTAREA INSTRUCȚIUNILOR DE MAI SUS



## ОБЩИЕ СВИДЕНИЯ

Внимательно прочитайте содержание данной инструкции, поскольку содержит важные указания, относящиеся к безопасности установки, эксплуатации и техобслуживания. Сохраните инструкцию для любой дальнейшей консультации. Устройство разработано в следующих вариантах исполнения: вытяжное устройство (удаление воздуха из помещения - **рис.1B**), фильтрующее устройство (рециркуляция воздуха внутри помещения - **рис.1A**) или вариант с применением наружного электродвигателя (**рис.1C**).

## МЕРЫ ПРЕДОСТОРОЖОСТИ

1. Быть внимательным, если одновременно работает вытяжка и горелка или очаг, нуждающиеся в окружающем воздухе и запитывающиеся иной энергией, кроме электрической. В таком случае вытяжка удаляет из помещения воздух, нужный для процесса сгорания в горелке или очаге. Отрицательное давление в помещении не должно превышать 4Pa ( $4 \times 10^{-5}$  bar). Для надежной и безопасной работы следует обеспечить вентиляцию помещения. Для наружных выбросов соблюдать правила, действующие в Вашей стране.

Прежде чем подключить прибор к электрической сети:  
 - убедиться в соответствии напряжения и мощности прибора, данные о которых помещены на заводской паспортной табличке, сетевым показателям, а также соответствие электросоединителя(розетки). В случае несоответствия розетки обратиться к квалифицированному электрику.

- Если провод электропитания поврежден, замените его или весь специальный узел у производителя или в уполномоченном центре технического обслуживания.  
 - Подсоединить устройство к сети электропитания посредством штепсельной вилки с предохранителем 3 А или двух двухполюсных проводов с предохранителем 3 А.


### 2. Внимание!

**В некоторых случаях электрические приборы могут быть опасными.**

- A) Не проверяйте состояние фильтров при работающей вытяжке
- B) Не прикасайтесь к лампочкам или к прилегающим зонам в процессе работы системы освещения или сразу же после ее выключения
- C) Запрещается готовить блюда на открытом пламени под кухонной вытяжкой
- D) Избегайте открытого пламени, так как оно повреждает фильтры и может привести к возгоранию
- E) В процессе жарки во фритюре непрерывно следите за процессом во избежание возгорания кипящего масла
- F) Отсоединяйте штепсельную вилку от сетевой розетки перед началом технического обслуживания
- G) Изделие не рассчитано на эксплуатацию детьми или недееспособными лицами без контроля.
- H) Не разрешайте детям играть с изделием
- I) Если вытяжка используется одновременно с другими приборами, в которых используется топливный газ или другие виды топлива, в помещении должна быть обеспечена надлежащая вентиляция
- L) В случае выполнения операций по чистке без соблюдения инструкций существует опасность возгорания

Данное изделие имеет маркировку соответствия Европейскому Нормативу 2002/96/ЕС, Утилизация электрических и электронных изделий (WEEE). Проверьте, чтобы по окончании его срока службы данное изделие было сдано в утиль. Этим Вы можете сохранить окружающую среду.




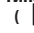
Символ  на изделии или в прилагающейся к нему документации означает, что данное изделие не должно рассматриваться как бытовые отходы, а должно быть сдано в специальный центр утилизации, занимающийся уничтожением электрических и электронных приборов. Изделие должно быть сдано в утиль в соответствии с местными нормативами по утилизации отходов. За дополнительными сведениями касательно обработки, утилизации и уничтожения данного изделия обращайтесь в местное отделение сбора домашних бытовых приборов или в магазин, в котором было куплено изделие.

## ИНСТРУКЦИИ ПО УСТАНОВКЕ

**Прибор имеет класс II, поэтому к заземлению не надо подсоединять никакой провод, подсоединение**

### - Электрическая связь

**Примечание! Проверьте табличку данных, расположенную внутри аппарата:**

- Если на табличке имеется символ (  ), это значит, что аппарат не должен заземляться, в связи с чем необходимо следовать инструкциям в отношении типа изоляции II.
- Если на табличке НЕТ символа (  ), следуйте инструкциям в отношении типа изоляции I.

### Тип изоляции II

Необходимо обеспечить легкий доступ к штепселю после установки аппарата.

В случае поставки аппарата с кабелем без штепселя, для того чтобы подключить его к электрической сети, необходимо установить между аппаратом и сетью мультиполярный выключатель с минимальным расстоянием между контактами 3 мм, рассчитанный на данную нагрузку и соответствующий действующим нормативам.  
 коричневый-L-линия  
 синий-N-нейтральный

### Тип изоляции I

#### Внимание:


Данное изделие относится к классу I, поэтому должно подсоединяться к заземлению.

Подсоединение к сети электропитания производится в следующем порядке:

КОРИЧНЕВЫЙ = L сеть

СИНИЙ = N нейтраль

ЖЕЛТО-ЗЕЛЕНЫЙ =  заземление

Провод нейтрали должен подсоединяться к зажиму с символом N, а ЖЕЛТО-ЗЕЛЕНЫЙ провод – к зажиму с символом заземления. .

#### Внимание:

В процессе электрического подключения проверьте, чтобы электрическая розетка была оснащена контактом заземления.

После монтажа кухонной вытяжки проверьте, чтобы штепсельная вилка изделия была легкодоступной.

В случае прямого подключения к сети электропитания

необходимо установить между изделием и сетью мультитиплярный выключатель с минимальным расстоянием между контактами 3 мм, рассчитанный на данную нагрузку и соответствующий действующим нормативам.

• Если используемая поверхность плиты является электрической, газовой или индукционной, минимальное расстояние между ней и самой нижней частью вытяжки должно составлять не менее **65 см**.

Если применяется соединительная труба из двух и более частей, то верхняя часть должна располагаться снаружи нижней части. Не соединять выброс из вытяжки с каналом циркуляции горячего воздуха или с каналом, используемым для отвода дыма от устройств, запитываемых иной энергией кроме электрической. Перед тем как приступить к сборке устройства, для облегчения его монтажа отсоедините фильтр/жироулавливающий фильтр (рис.7).

В том случае, если прибор монтируется с вытяжным устройством, рекомендуется обеспечить помещение выводным отверстием.

#### • Прикрепление к стене

- Выполните отверстия **A**, соблюдая указанные расстояния (рис.2).

- Прикрепите устройство к стене при помощи регулируемого кронштейна, выровняйте устройство в горизонтальном положении.

- Прикрепите окончательно колпак двумя винтами **A** (рис.5). В зависимости от варианта монтажа используйте винты (шурупы) и дюбели, соответствующие типу стены (например, железобетон, гипсокартон и т. д.).

Если винты и дюбели входят в комплект поставки, следует удостовериться в том, что они подходят для того типа стены, на которой должен быть смонтирован колпак.

#### • Монтаж декоративных телескопических сборочных элементов

- Предварительно выполните подводку электропроводов внутри декоративного сборочного элемента.

- Если ваше устройство устанавливается как вытяжное или с наружным электродвигателем, предварительно сделайте отверстие для отвода воздуха.

- Отрегулируйте ширину поддерживающего кронштейна верхнего сборочного элемента (рис.3).

- Прикрепите его к потолку винтами **A** так, чтобы обеспечить его соосность с вашим колпаком (рис.3), соблюдая расстояние от потолка, указанное на рис. 2.

- Соедините фланец **C** с отверстием для вывода воздуха посредством соединительной трубы (рис.5).

- Вставьте верхний сборочный элемент в нижний.

- Прикрепите нижний сборочный элемент к колпаку, используя винты **B**, которые прилагаются (рис.5), сместите верхний сборочный элемент до кронштейна и прикрепите его винтами **B** (рис.3).

- В том случае, если Ваш прибор оснащен внешними шутилцерами, как показано на Рис.4А, крепление производится, следуя указаниям Рис.6А.

- Для превращения колпака из вытяжного в фильтрующий обратитесь к своему дилеру для получения фильтров с активированным углем и следуйте инструкциям по установке.

#### • Фильтрующая модель

##### Внимание!

Для преобразования вытяжки из модели **ВСАСЫВАНИЯ** в модель **ФИЛЬТРОВАНИЯ** необходимо заказать угольные фильтры у вашего продавца.

Имеются два разных типа комплектов, один с фильтрами с активированным углем в кассете (Схема 8), второй с фильтрами с регенерируемым активированным углем

(промываемые). (Схема 9)

- Для замены фильтров с активированным углем в кассете **X** необходимо потянуть наружу рычаг, как показано на Схеме.8

- Для замены фильтров с регенерируемым активированным углем **Y** необходимо снять скобы из своих гнезд, потянув из наружу. (Схема 9)

- Если в комплект вытяжки входит скоба, показанная на Схеме 9а, необходимо прикрепить ее к вытяжке прилагающимися шурупами.

## ЭКСПЛУАТАЦИЯ И ТЕХХОД

• Рекомендуем ввести аппарат в эксплуатацию, прежде чем приступать к варке какого-либо элемента. Рекомендуем оставить работать аппарат на 15 минут, после завершения приготовления пищи, чтобы полностью выпустить тяжелый воздух.

Хорошее функционирование колпака обусловлено правильным и постоянным техническим обслуживанием; особое внимание следует уделить фильтру жира и активированного угля.

• **Фильтр против жира** задерживает жирные частицы, находящиеся в воздухе, следовательно, он подвергается коррозии в разные промежутки времени, в зависимости от использования аппарата.

- Чтобы предупредить опасность возможных возгораний, максимум каждые 2 месяца необходимо промывать фильтры против жира, для чего можно также использовать посудомоечную машину.

- После промывания, можно проверить изменение цвета. Это не дает права на предъявление претензий для их возможной замены.

В случае невыполнения инструкций по замене и промыванию, может появиться риск возгорания фильтров против жира.

• **Фильтры с активированным углем** служат для очистки воздуха окружающей среды. Фильтры можно промывать или использовать повторно, необходимо заменять их максимум раз в четыре месяца. Насыщенность активированного угля зависит от слишком длительного использования аппарата, от типа кухни и регулярности проведения очистки фильтра против жира

• Необходимо часто очищать колпак как внутри, так и снаружи, используя увлажненную денатурированным спиртом ткань или нейтральные **не** царапающие жидкие моющие средства.

• Лампы вытяжки служат для освещения варочной панели во время приготовления и не рассчитаны на длительное включение для обычного освещения помещения. Продолжительное использование ламп вытяжек значительно сокращает их средний срок службы.

#### • Замена галогенных ламп (Схема 10).

Для замены галогенных ламп **B** снимите стеклянную крышку **C**, поддев ее отверткой в специальных пазах. Замените лампы на лампы такого же типа.

**Внимание:** не прикасайтесь к лампам голыми руками.

#### • Замена галогенных ламп (Рис. 11).

Для замены двухцветных ламп снимите лампочку, осторожно отпуская ее от патрона при помощи небольшой плоской отвертки или эквивалентного инструмента. **ВНИМАНИЕ!** Выполняя данную операцию, будьте осторожны, чтобы не поцарапать вытяжку.

Замените лампы на лампы такого же типа.

### Органы управления: (рис.12)

- Светящиеся (рис.12А)

- Электронные (рис.12В)

**A** = кнопка освещения

**B** = кнопка нулевой

**C** = кнопка первой скорости

**D** = кнопка второй скорости

**E** = кнопка третьей скорости

**F** = кнопка таймера автоматической остановки через 15 мин (\*)

В том случае, если ваш прибор снабжен функцией **ПОВЫШЕННОЙ** скорости, ее можно активизировать. Для этого держать в нажатом положении в течении 2-х секунд клавишу **E**. Функция включается на 10 мин, после чего возвращается к раннее установленной скорости.

Мигающая лампочка указывает на то, что функция включена.

Для отключения функции раньше 10- минутного срока повторно нажать клавишу **E**.

Нажатом положении в течение 2–х секунд клавишу **F**. Для включения функции **“clean air”** нажать и держать в таком положении клавишу **F**. Эта функция ежедневно включает двигатель на первой скорости на 10 минут, в течение которых должны мигать одновременно указатели клавиш **F** и **C**. После чего двигатель выключается, а указатель на клавише **F** остается зажженным. Приблизительно через 50 минут опять включается двигатель на первой скорости, и указатели **F** и **C** начинают мигать в течение 10 минут и т.д.

Нажатием любой клавиши, за исключением клавиши включения освещения, дымосос возвращается в свое нормальное рабочее состояние (напр., если нажать клавишу **D**- отключается функция **“clean air”** и двигатель сразу же включается на 2<sup>о</sup> скорости; нажав клавишу **B** функция отключается).

(\*) Функция “таймер автоматической остановки” задерживает отключение вытяжки, которая продолжает работу на скорости, выбранной при включении этой функции через 15 минут.

### • Засорение фильтров-жироуловителей / фильтра с активированным углем:

- Когда мигает кнопка **A** с частотой **2 сек.**, необходимо вымыть **фильтры-жироуловители**.

- Когда мигает кнопка **A** с частотой **0,5 сек.**, необходимо заменить **фильтры с активированным углем**.

После установки на место чистого фильтра необходимо обнулить электронную память, нажав кнопку **A** примерно на 5 сек. вплоть до прекращения мигания.

### • Органы управления Механические (Рис. 13 А-В-С)

**A** = кнопка освещения

**B** = кнопка нулевой

**C** = кнопка первой скорости

**D** = кнопка второй скорости

**E** = кнопка третьей скорости

**G**=лампочка: ДВИГАТЕЛЬ В РАБОЧЕМ РЕЖИМЕ

### Органы управления: (Рис.14)

**Клавиша A** = включает/выключает подсветку

**Клавиша B** = включение/выключение вытяжки. Вытяжка включается на 1-ой скорости. Если вытяжка включена, нажмите кнопку на 2 секунды, чтобы выключить ее. Если вытяжка работает на 1-ой скорости, не нужно держать кнопку нажатой для ее выключения. Скорость двигателя сокращается.

**Дисплей C** = показывает скорость мотора, которая была набрана, и включение таймера.

**Клавиша D** = включает вытяжку. Увеличивает скорость

мотора. Нажатие клавиши 3-й скорости вызывает активацию функции интенсивного режима на 10 мин, по истечении которых восстанавливается скорость работы, активной в момент включения данной функции. На период действия интенсивного режима имеет место мигание индикатора.

**Клавиша E** = Таймер на 15 минут запоминает функции в момент включения после отключения этих функций. Таймер отключается повторным нажатием кнопки **E**. Когда функция Таймер включена, на дисплее должно мигать десятичное значение. Если работает интенсивная скорость, включить функцию Таймер нельзя.

Нажав кнопку **E** на 2 секунды при выключенной вытяжке, включается функция **«ЧИСТЫЙ ВОЗДУХ»**. Эта функция включает двигатель на 1-ой скорости на 10 минут каждый час. В процессе функционирования на дисплее показываются вращающиеся боковые сегменты. По истечении этого времени двигатель выключается, и на дисплее появляется буква **«C»** до следующего запуска двигателя на 10 минут по прошествии 50 минут.

### • Засорение фильтров-жироуловителей / фильтра с активированным углем: Рис.14

- Когда на дисплее **C** попеременно мигают значение рабочей скорости и буква **F** (наприм., 1 и **F**) необходимо вымыть **фильтры-жироуловители**.

- Когда на дисплее **C** попеременно мигают значение рабочей скорости и буква **F** (наприм., 1 и **A**) необходимо заменить **фильтры с активированным углем**.

После установки фильтра на место после чистки необходимо обнулить электронную память, нажав кнопку **A** примерно на **5 сек.** вплоть до прекращения мигания буквы **F** или **A** на дисплее **C**.

### ФИРМА НЕ НЕСЕТ НИКАКОЙ ОТВЕТСТВЕННОСТИ ЗА УЩЕРБ, ВЫЗВАННЫЙ НЕСОБЛЮЖДЕНИЕМ ВЫШЕПРИВЕДЕННЫХ ПРЕДУПРЕЖДЕНИЙ.

## OBSERVERA

Läs innehållet i detta instruktionshäfte noga då det tillhandahåller viktig information vad beträffar säkerheten vid installation, användning och underhåll. Spar häftet för eventuella framtida konsultationer. Apparaten har utformats antingen som utsugningskåpa (extern luftevakuering) eller filterkåpa (intern luftrecirkulation). Apparaten är konstruerad för att användas som antingen insugande version (utsugning av luft utomhus - **Fig.1B**), filtrerande version (återcirkulering av luft inomhus - **Fig.1A**) eller version med yttre motor (**Fig.1C**).

## SÄKERHETSFÖRESKRIFTER

1. Var uppmärksam om utsugningskåpan fungerar samtidigt som en brännare eller eldhård som är beroende av omgivningsluften i rummet och som drivs med annan typ av energi än elektrisk energi, eftersom utsugningskåpan suger upp luft från rummet som brännaren eller eldgården är i behov av för sin förbränningsprocess. Undertrycket i lokalen får inte överstiga 4 Pa (4x10<sup>-5</sup> bar). För att garantera säkerheten rekommenderas därför en god ventilation av lokalen. Vad beträffar det utvändiga utsläppet skall de i det aktuella landet gällande normerna och föreskrifterna respekteras.

Innan apparaten kopplas till elnätet:

- kontrollera typskylten (på insidan av apparaten) och försäkra dig om att spänning och effekt motsvarar elnätets och att stickkontakten passar. Rådfråga kunnig eltekniker, om du är tveksam.
- Om nätkabeln är skadad ska den bytas ut mot en ny kabel eller en specialsats som tillhandahålls av tillverkaren eller dess tekniska servicetjänst.
- Anslut strömförsörjningsaggregatet via en stickkontakt med en **säkring på 3A** eller till **tvåfasanslutningens** två trådar som ska skyddas av en **säkring på 3A**.


## 2. OBSERVERA!

I vissa situationer kan elektrisk utrustning utgöra en fara.

- A) Kåpan ska inte vara i drift när filtrens skick kontrolleras.
- B) Vidrör inte glödlampor eller områden runt dessa direkt efter längre tids användning av belysningen.
- C) Det är förbjudet att tillaga flamberade rätter under kåpan.
- D) Undvik fria lågor. Dessa kan skada filtren och försorsaka brand.
- E) Vid fritering ska tillagningen hållas under konstant uppsikt för att förhindra att oljan tar eld.
- F) Koppla från kontakten från stickkontakten innan underhållsmoment utförs.
- G) Utrustningen är inte avsedd att användas av barn eller oförmögna personer, utan uppsikt av en vuxen.
- H) Kontrollera att barn inte leker med utrustningen.
- I) När kåpan används samtidigt med utrustning som bränner gas eller andra bränslen, ska lokalen ha en god ventilation.
- L) Om rengöringsmomenten inte utförs med respekt för anvisningarna finns det risk för att brand uppstår.

Den här apparaten överensstämmer med europadirektivet

2002/96/EG, Waste Electrical and Electronic Equipment (WEEE). Genom att försäkra sig om att den här produkten elimineras på rätt sätt, bidrar användaren till att förebygga eventuella negativa följdrisker för miljö och hälsa.


Symbolen  på produkten eller på bifogad dokumentation indikerar att den här produkten inte ska behandlas om hushållsavfall utan ska överlämnas till lämplig avfallsstation för återvinning av elektriska och elektroniska apparater. Kassera enligt gällande lokala normer för avfallshantering. För ytterligare information om hantering och återvinning av produkten, kontakta det lokala kontoret, uppsamlingsstation för hushållsavfall eller affären där produkten inhandlats.


## INSTALLATIONS INSTRUKTIONER

**Ltgärder för montering och elanslutning måste utföras av kunnig personal.**

## • Elanslutning

**Obs! Kontrollera märkskylten som sitter inuti utrustningen:**

- Om symbolen (  ) anges på märkskylten innebär detta att utrustningen inte ska jordanslutas. Följ därför anvisningarna i isolationsklass II.

- Om symbolen (  ) INTE anges på märkskylten ska anvisningarna i isolationsklass I följas.

## Isoleringsklass II

Apparaten är av typklass II, och inga kablar skall därför jordanslutas.

Stickkontakten ska vara lättåtkomlig efter att utrustningen har installerats.

Om utrustningens nätkabel saknar stickkontakt, är det nödvändigt att installera en flerpolig brytare mellan utrustningen och elnätet. Brytaren ska ha en min. öppning mellan kontaktarna på 3 mm, vara dimensionerad för belastningen och uppfylla gällande lagstiftning.

Nätanslutningen skall utföras på följande sätt:

BRUN = L fas

BLÅ = N nolla

## Isoleringsklass I


## Observera!


Denna utrustning är konstruerad i enlighet med **klass I**, och ska därför anslutas till en jordad kontakt.

Anslutningen till elnätet ska göras på följande sätt:

BRUN = L-linje

BLÅ = N-nolla

GULGRÖN =  jord

Nollkabeln ska anslutas till klämman med N-symbolen, medan den **GULGRÖNA** kabeln ska anslutas till klämman intill jordsymbolen .

## Observera!

Vid elektrisk anslutning, se till att strömuttaget har jordanslutning.

När utsugningskåpan har monterats, se till att kontakten för nätanslutningen sitter i ett lättåtkomligt läge.

Vid direkt anslutning till elnätet är det nödvändigt att installera en flerpolig brytare mellan utrustningen och elnätet. Brytaren

ska ha en min. öppning mellan kontakterna på 3 mm, vara dimensionerad för belastningen och uppfylla gällande lagstiftning.

- Om spishällen som används är av typ elektrisk, gas eller induktion, ska minimiavståndet mellan spishällen och spisfläktens nedersta del vara minst **65 cm**.

I det fall ett anslutningsrör används som består av två eller flera delar, måste den övre av delarna träs utanpå den undre delen.

Anslut inte kåpans utloppsrör till luftkanaler i vilka varmluft cirkulerar, eller kanaler som används för att evakuera rök från apparater som drivs med annan typ av energi än elektrisk energi. För att förenkla handhavandet av apparaten ska antifettfiltret/-en tas ur innan monteringsmomenten påbörjas (Fig.7).

Om apparaten ska monteras med utsugningversion ska håll för luftuttömning anordnas.

#### • Fastsättning på väggen

- Borra hålen **A** och ta hänsyn till de angivna måtten (Fig. 2).
- Fäst apparaten på väggen och se till att den är i horisontell linje med de övriga köksskåpen.

- När spiskåpan har justerats ska den fästas definitivt med de 2 skruvarna **A** (Fig.5).

För de olika monteringsarna ska skruvar och expansionspluggar som är lämpliga för väggen användas (t.ex. armerad betong, gips o.s.v.). Om skruvar och expansionspluggar medlevereras med produkten ska du försäkra dig om att de är lämpliga för den typ av vägg där spiskåpan ska fästas.

#### • Fastsättning Av Skorstensförlängning

- Montera elmatningen innanför skorstensförlängningen.

- Om din apparat ska installeras som insugande version eller version med yttre motor ska håll för utsugning av luften förberedas.

- Reglera bredden för överdelens fästen (Fig.3).

- Fäst sedan fästet i taket med skruvarna **A** (Fig.3) så att det är i linje med din spiskåpa och ta hänsyn till avståndet till taket som anges i Fig.2.

- Anslut flänsen **C** med ett anslutningsrör till hålet för utsugning av luft (Fig.5).

- Skjut in överdelen inuti underdelen.

- Fäst underdelen i spiskåpan med de medlevererade skruvarna **B** (Fig.5).

- Dra upp överdelen till fästet och fäst den med skruvarna **B** (Fig.3).

Om apparaten har de nedre fogarna på samma sätt som på bild **6.A**, ska den kopplas som på bild **6.A**.

- För att modifiera spiskåpan från insugande version till filterande version ska du beställa kolfilter från din återförsäljare och följ sedan monteringsanvisningarna.

#### • Filterande version

##### Observera!

Beställ filtren med aktivt kol som tillhör hos din återförsäljare för att omvandla kåpan från **INSUGANDE** version till **FILTERANDE**.

Se tillhandahåller två olika satser, en med lådkolfilter (Fig.8) och en med kolfilter som kan återställas (rengöras). (Fig.9)

- För att byta ut lådfiltren **X** med aktivt kol ska spaken dras ut, som visas i Fig.8

- För att byta ut de återställningsbara kolfiltren **Y**, ta bort byglarna från sina säten genom att dra dem utåt. (Fig.9)

- Om bygeln som indikeras i Fig.9a ingår i emballaget, ska

denna fästas på kåpan med de medlevererade skruvarna.

## ANVÄNDNING OCH UNDERHÅLL

- Det rekommenderas att starta utrustningen innan någon typ av livsmedel tillagas. Vi rekommenderar att du låter apparaten gå i 15 minuter efter att matlagningen avslutats, så att matoset helt sugts ut.

Kåpan ska underhållas regelbundet och på ett korrekt sätt för att fungera på bästa sätt. Detta gäller i synnerhet avfettningsfiltret och filtret med aktivt kol.

- **Avfettningsfiltret** har till uppgift att stoppa fettpartiklar som finns i luften. Detta filter sätts igen efter en viss tid, beroende på hur mycket utrustningen används.

- För att förhindra eventuell brand ska avfettningsfiltren rengöras max. varannan månad. Avfettningsfiltren kan rengöras i diskmaskinen.

- En viss färgförändring kan synas efter några rengöringar. Detta är inget skäl till reklamation för eventuellt byte.

Vid försummelse av anvisningarna för byte och rengöring av avfettningsfiltren finns det risk för att dessa antänds.

- **Filtren med aktivt kol** används för att rengöra luften som återförs i rummet. Dessa filter kan inte rengöras eller regenereras och måste bytas ut max. vart fjärde månad. Mättnaden av det aktiva kolet beror på hur länge utrustningen används, typen av kök och hur ofta som avfettningsfiltret rengörs.

- Rengöra kåpan regelbundet både på insidan och utsidan med en trasa fuktad med denaturerad sprit eller mild flytande rengöringsmedel som **inte** slipar.

- Belysningen är avsedd att endast vara tänd under tillagningen och inte för att lysa upp rummet i allmänhet under en längre tid. Om belysningen är tänd under en längre tid förkortas lampornas livslängd betydligt.

#### • Byta halogenlampor (Fig. 10).

För att byta halogenlamporna **B**, bänd upp glaset **C** i springorna.

Byt ut mot lampor av samma typ.

**OBS!** Ta inte i lampan med bara händer.

#### • Byta halogenlampor (Fig. 11).

För att byta ut de dikroiska lamporna, koppla från lamporna genom att lossa dem från lamphållaren med en liten platt skruvmejsel eller ett liknande verktyg. **OBSERVERA! Var försiktig så att inte kåpan repas när detta moment utförs.**

Byt ut mot lampor av samma typ.

#### • Manöverfunktioner: (Fig.12)

- **Lysande (Fig.12A)**

- **Elektroniska (Fig.12B)**

beskrivs symbolerna här nedan:

**A** = knapp för BELYSNING

**B** = knapp OFF

**C** = knapp FÖRSTA HASTIGHET

**D** = knapp ANDRA HASTIGHET

**E** = knapp TREDJE HASTIGHET

**F** = TIMER FÖR AUTOMATISK AVSTÄNGNING EFTER 15 minuter. (\*)

- Om er fläkt har funktionen hastighet i INTENSIVLÄGE, tryck på knapp E i ca 2 sekunder för aktivering i 10 minuter, varefter hastigheten glr tillbaka till den tidigare inställningen.

När funktionen aktiveras blinkar lysdioden. För att avbryta den innan 10 minuter förflutit, trycker du på knapp E igen.

Tryck på knapp F i 2 sekunder (när fläkten är avstängd) för att

sätta igång funktionen "clean air". Genom denna funktion sätts fläktn motorn igång i 10 minuter varje timme på hastighet ett. Omedelbart efter att ha aktiverat denna funktion, sätts motorn igång på hastighet ett under 10 minuter, medan knapp **F** och knapp **C** samtidigt blinkar.

Därefter släcks motorn och lysdiod **F** förblir tänd med fast ljus ända tills motorn efter ytterligare 50 minuter startar igen på hastighet ett och lysdiодerna **F** och **C** börjar blinka igen i 10 minuter osv. Genom att trycka på vilken som helst av knapparna, förutom belysningsknappen, återgår fläkten omedelbart till normal funktion (t.ex. om jag trycker på knapp **D** så sätts "clean air" ur funktion och motorn går näst på hastighet två; genom att trycka på knapp **B** sätts den ur funktion).

(\*) Funktionen "timer för automatisk avstängning" fördröjer avstängningen av kåpan, som fortsätter att fungera i 15 minuter med samma arbetshastighet som vid påslagningen av denna funktion.

#### • Orena fettfilter/aktivt kolfilter :

- När knappen **A** blinkar med ett intervall på **2 sek** ska **fettfiltren** rengöras.

- När knappen **A** blinkar med ett intervall på **0,5 sek** ska **kolfiltren** bytas ut.

När det rena filtret har satts tillbaka, ska det elektroniska minnet nollställas genom att trycka på knapp **A** i cirka **5 sek** tills varningslampan slutar att blinka.

#### • Manöverfunktioner: Fig.13 A-B-C) mekaniska

beskrivs symbolerna här nedan:

**A** = knapp för BELYSNING

**B** = knapp OFF

**C** = knapp FÖRSTA HASTIGHET

**D** = knapp ANDRA HASTIGHET

**E** = knapp TREDJE HASTIGHET

**G** = kontrollampa MOTORN I FUNKTION

#### • Manöverfunktioner: (Fig.14)

**Tangent A** = slår på/av belysningen

**Tangent B** = slår på/av kåpan. Apparaten startar med den lägsta hastigheten. Om kåpan fungerar skall tangenten tryckas in halv sekund för att slå av den. Om kåpan fungerar med den lägsta hastigheten behöver man inte hålla tangenten intryckt för att stänga av den. Minskar motorns hastighet.

**Display C** = anger den valda motorhastigheten och aktiveringen av timern.

**Tangent D** = slår på kåpan. Ökar motorns hastighet. Om tangenten för den tredje hastigheten trycks in startar den intensiva hastigheten under 10 sekunder för att sedan återgå till den arbetshastighet som var aktiv före ingreppet. Displayen blinkar under denna funktion.

**Tangent E** = Timer ställer in funktionstiderna vid aktiveringen på 15 minuter, varefter de stängs av. Avaktivera timern genom att trycka på knapp **E**. När funktionen Timer är aktiv på displayen ska decimalpunkten blinka. Om hastighetens intensivläge är i funktion kan timern inte aktiveras.

Genom att trycka på knapp **E** i 2 sekunder, när apparaten är avstängd, så aktiveras funktionen "clean air". Denna tänds motorn i 10 minuter varje timme på första hastigheten. Under funktion ska displayen visa de perifera segmentens rotation. När denna tid gått ut släcks motorn och displayen visar den lysande bokstaven "**C**" tills motorn efter ytterligare 50 minuter startar igen och går i 10 minuter igen och så vidare.

#### • Orena fettfilter/aktivt kolfilter: Fig.14

- När displayen **C** blinkar och visar omväxlande drifhastigheten

och bokstaven **F** (t.ex. 1 och **F**) ska **fettfiltren** rengöras.

- När displayen **C** blinkar och visar omväxlande drifhastigheten och bokstaven **A** (t.ex. 1 och **A**) ska **kolfiltren** bytas ut.

När det rena filtret har satts tillbaka, ska det elektroniska minnet nollställas genom att trycka ned knappen **A** i cirka **5 sek** tills signalerna **F** eller **A** slutar att blinka på displayen **C**.

**TILLVERKAREN FRÅNSÄGER SIG ALLT ANSVAR FÖR EVENTUELLA SKADOR SOM ORSAKTS P.G.A. ATT OVANSTÅENDE INSTRUKTIONER INTE RESPEKTERATS/INSTRUKTIONER INTE RESPEKTERATS**





3LIK0619